

28. Keyless Transmitter

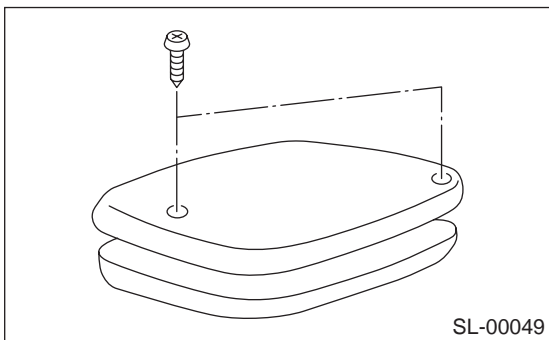
A: REMOVAL

1. TRANSMITTER BATTERY

Remove the battery from transmitter.

NOTE:

To prevent static electricity damage to transmitter printed circuit board, touch the steel area of building with hand to discharge the static electricity carried on body or clothes before disassembling transmitter.



B: INSTALLATION

1. TRANSMITTER BATTERY

Install in the reverse order of removal.

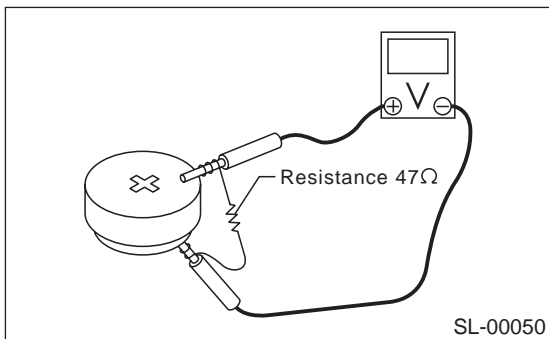
C: INSPECTION

1. TRANSMITTER BATTERY

Measure the voltage between battery (+) terminal and (-) terminal.

NOTE:

- Battery discharge occurs during measurement. Complete the measurement within 5 seconds.
- During battery voltage measurement, voltage falls more than 1.8 volts in 3 seconds period.



| Tester connection | | Standard |
|----------------------|----------------------|-------------|
| (+) | (-) | |
| Battery (+) terminal | Battery (-) terminal | 2.5 — 3.0 V |

If NG, replace the battery. (Use CR1620 or equivalent.)

D: REPLACEMENT

1. TRANSMITTER REGISTRATION

NOTE:

- A maximum of four transmitters can be registered for each individual vehicle.
- When replacing or adding the transmitter (key), registration is also necessary.
- Finish the operation from step 1) through 4) within 45 seconds.

- 1) Sit on the driver's seat and close all doors and rear gate.
- 2) Open the driver's door.
- 3) Close the driver's door.
- 4) Turn the ignition switch from ON to LOCK ten times within 15 seconds.

NOTE:

Do not start the engine at this time.

- 5) The horn chirps one time to indicate that the system has entered in the programming mode.
- 6) Open the driver's door.
- 7) Close the driver's door.
- 8) Press any button on the transmitter that you wish to program into the system.
- 9) Horn will chirp two times to indicate that the transmitter has been programmed.

NOTE:

Repeat steps 6) through 9) for an additional transmitter.

- 10) Remove the ignition key from the ignition switch.
- 11) The horn will chirp three times to indicate that the system has exited the programming mode.
- 12) Check the keyless entry system properly operates by operating each transmitter.

KEYLESS TRANSMITTER

SECURITY AND LOCKS

MEMO: