

## SUNROOF ASSEMBLY

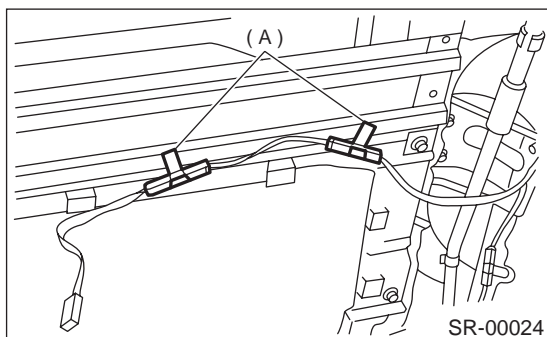
SUNROOF/T-TOP/CONVERTIBLE TOP (SUNROOF)

### 4. Sunroof Assembly

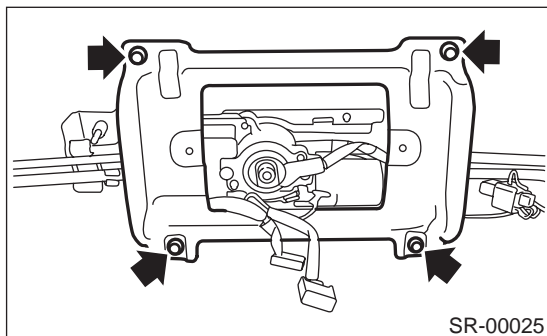
#### A: REMOVAL

##### 1. SEDAN

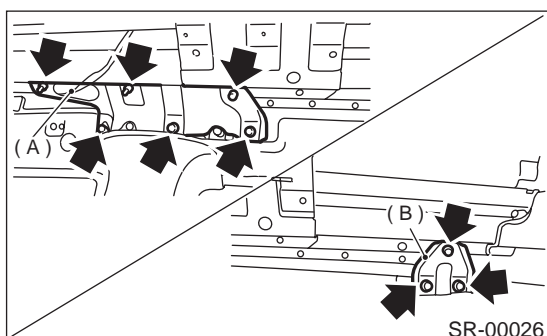
- 1) Disconnect ground cable from battery.
- 2) Remove roof trim. <Ref. to EI-45, SEDAN, REMOVAL, Roof Trim.>
- 3) Remove sunroof lid. <Ref. to SR-6, SEDAN AND WAGON (REAR), REMOVAL, Sunroof Lid.>
- 4) Disconnect drain tubes from sunroof frame.
- 5) Remove room lamp harness clip (A).



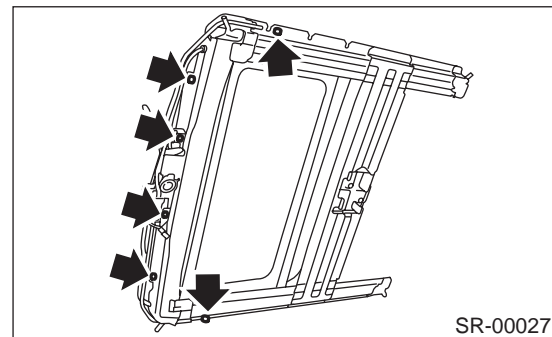
- 6) Disconnect sunroof harness connector.
- 7) Remove motor cover.



- 8) Remove sunroof brackets front (A) and rear (B).

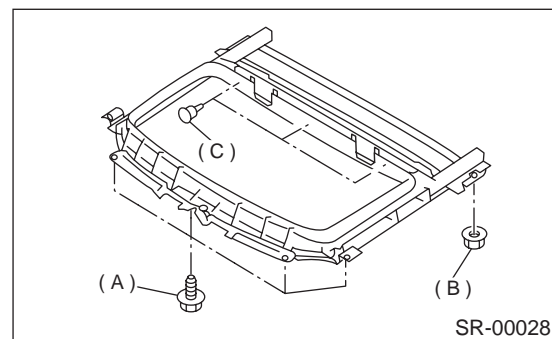


- 9) Remove nuts then detach the sunroof frame.



##### 2. WAGON (FRONT)

- 1) Disconnect ground cable from battery.
- 2) Remove roof trim. <Ref. to EI-45, WAGON, REMOVAL, Roof Trim.>
- 3) Remove front sunroof lid. <Ref. to SR-6, WAGON (FRONT), REMOVAL, Sunroof Lid.>
- 4) Remove room lamp harness clip.
- 5) Remove bolts (A), nuts (B) and clips (C) then detach the sunroof frame.

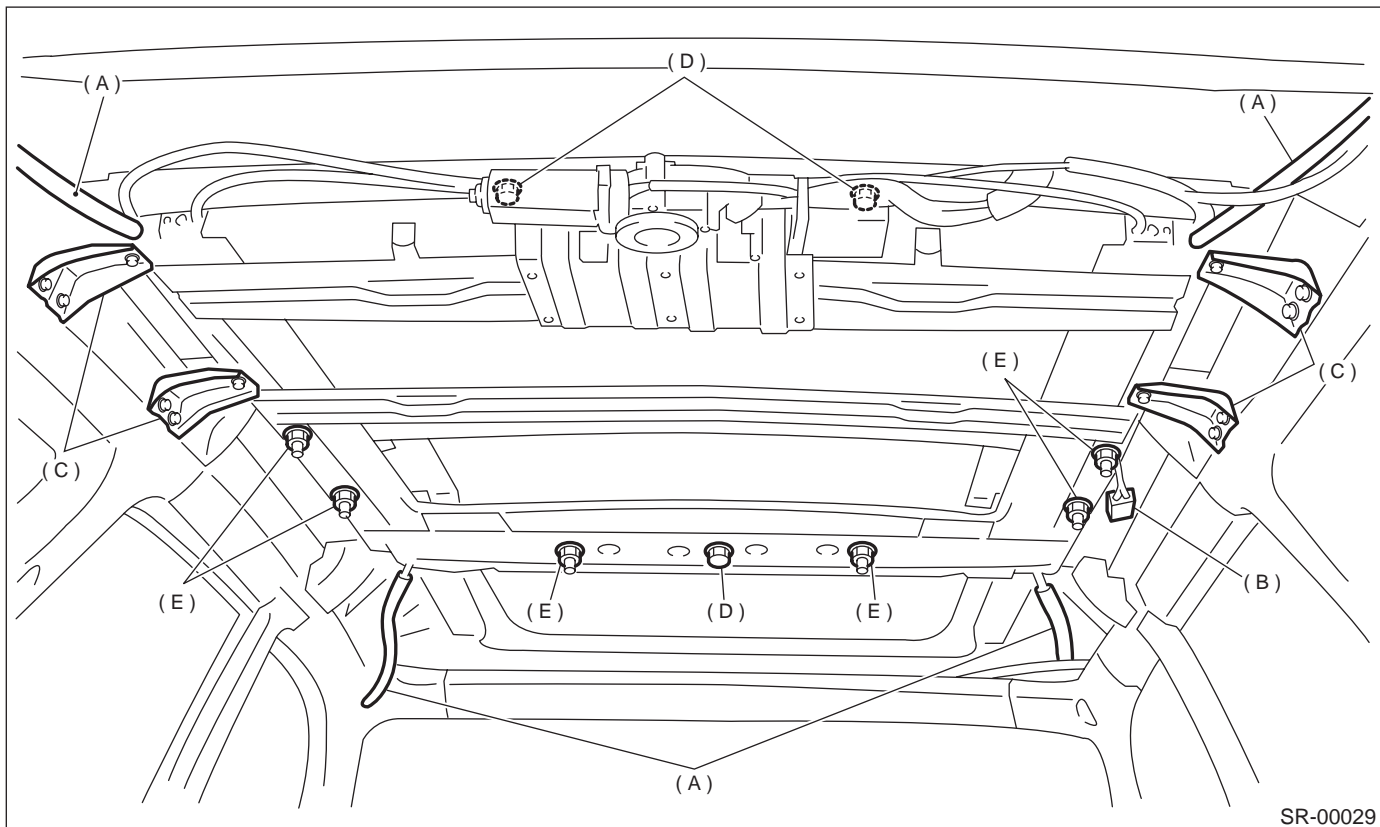


## SUNROOF ASSEMBLY

### SUNROOF/T-TOP/CONVERTIBLE TOP (SUNROOF)

#### 3. WAGON (REAR)

- 1) Disconnect ground cable from battery.
- 2) Remove roof trim. <Ref. to EI-45, WAGON, REMOVAL, Roof Trim.>
- 3) Remove rear sunroof lid. <Ref. to SR-6, SEDAN AND WAGON (REAR), REMOVAL, Sunroof Lid.>
- 4) Disconnect drain tubes (A) from rear sunroof frame.
- 5) Disconnect sunroof harness connector (B).
- 6) Remove sunroof brackets (C).
- 7) Remove bolts (D) and nuts (E) then detach the sunroof frame.



SR-00029

## SUNROOF ASSEMBLY

SUNROOF/T-TOP/CONVERTIBLE TOP (SUNROOF)

### B: INSTALLATION

Install in the reverse order of removal.

#### CAUTION:

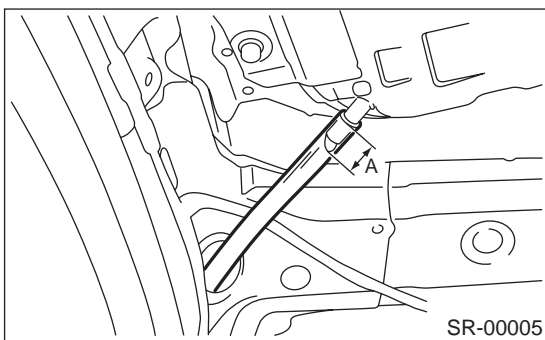
Be careful not to snag the harness.

#### NOTE:

- Make sure to connect harness connector.
- When installing drain tube, insert it securely onto drain pipe.

#### Length A:

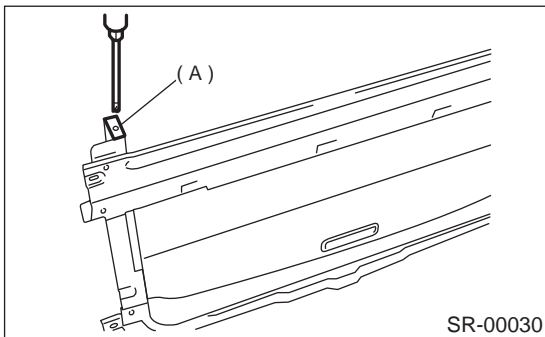
15 mm (0.59 in) or more



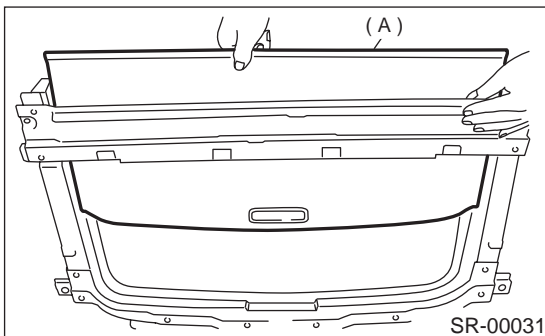
### C: DISASSEMBLY

#### 1. SEDAN AND WAGON (FRONT)

- 1) Remove sunroof frame.
- 2) Remove rail stoppers (A).

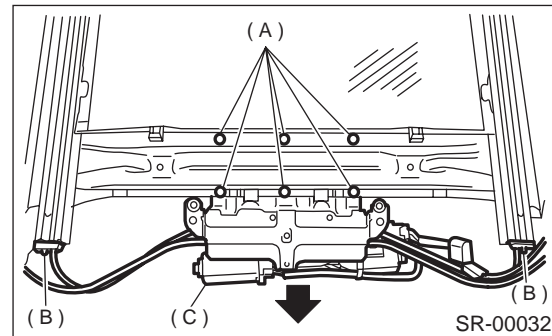


- 3) Pull out the sunshade (A) from sunroof frame.

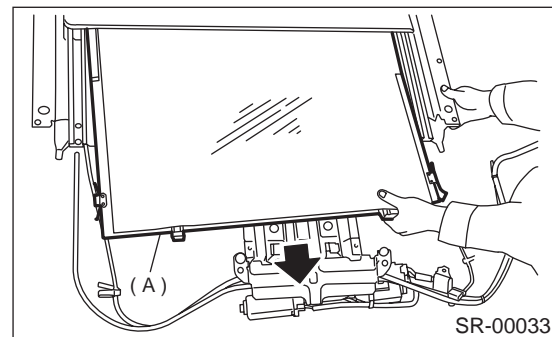


#### 2. WAGON (REAR)

- 1) Remove rear sunroof frame.
- 2) Remove sunroof motor bracket mounting screws (A).
- 3) Remove rail stoppers (B) then pull the motor assembly (C) in the direction shown in the figure.



- 4) Pull out the sunshade (A) from sunroof frame.



### D: ASSEMBLY

Assemble in the reverse order of disassembly.

## SUNROOF ASSEMBLY

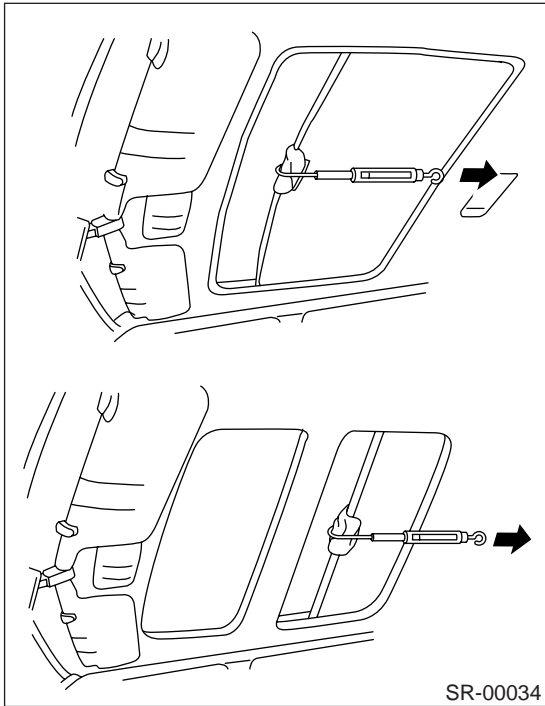
SUNROOF/T-TOP/CONVERTIBLE TOP (SUNROOF)

---

### E: INSPECTION

#### 1. CHECK FOR MOVEMENT OF SUNSHADE

1) Place a cloth on sunshade, and attach a spring scale to sunshade edge using a cloth.



2) Pull spring scale to measure force required to move the sunshade.

**Force required to move rear sunshade:**

**Less than  $24.5 \pm 4.9$  N ( $2.5 \pm 0.5$  kgf,  $5.5 \pm 1.1$  lb)**

NOTE:

Considerable force is required to start sunshade moving, so take a scale reading when it begins to move smoothly.

3) If the force required exceeds specifications, check the following points:  
Sunroof lid, sunshade and guide rail assembly for improper installation