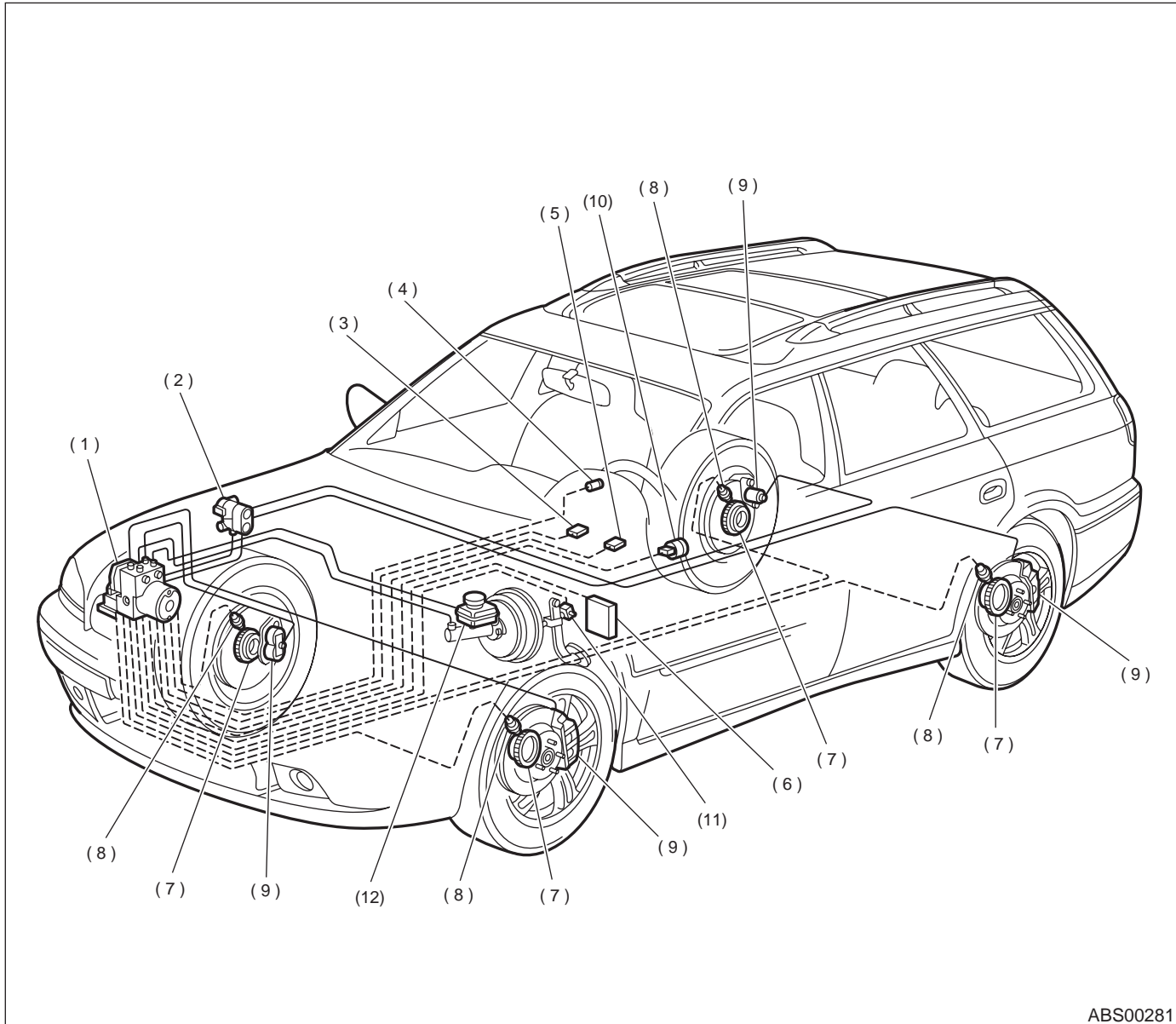


ELECTRICAL COMPONENTS LOCATION

ABS (DIAGNOSTICS)

4. Electrical Components Location

A: LOCATION



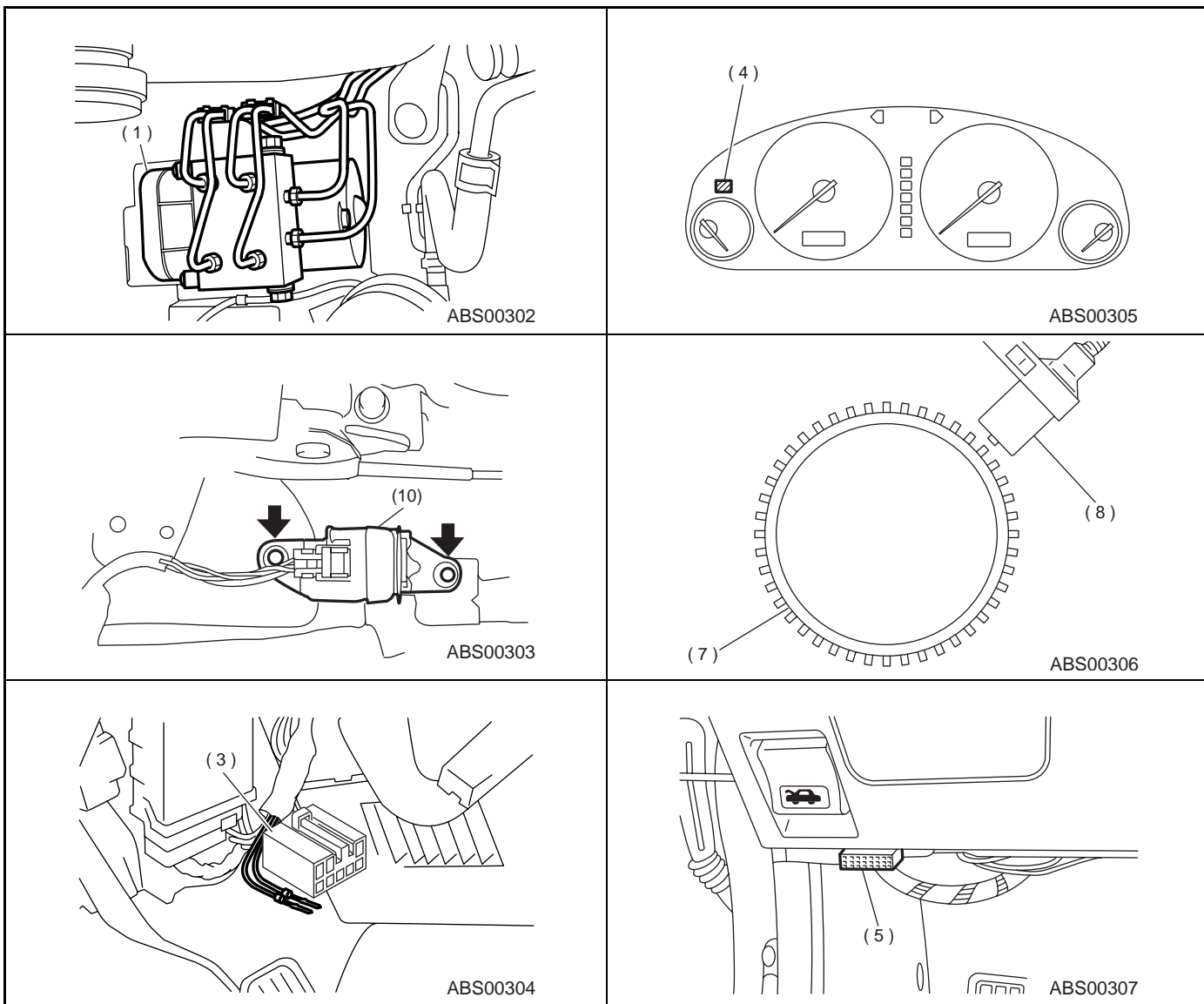
ABS00281

- | | | |
|---|---|------------------------|
| (1) ABS control module and hydraulic control unit (ABSCM&H/U) | (5) Data link connector (for Subaru select monitor) | (8) ABS sensor |
| (2) Proportioning valve | (6) Transmission control module (only AT vehicle) | (9) Wheel cylinder |
| (3) Diagnosis connector | (7) Tone wheel | (10) G sensor |
| (4) ABS warning light | | (11) Stop light switch |
| | | (12) Master cylinder |

ABS-10

ELECTRICAL COMPONENTS LOCATION

ABS (DIAGNOSTICS)



ABS-11