

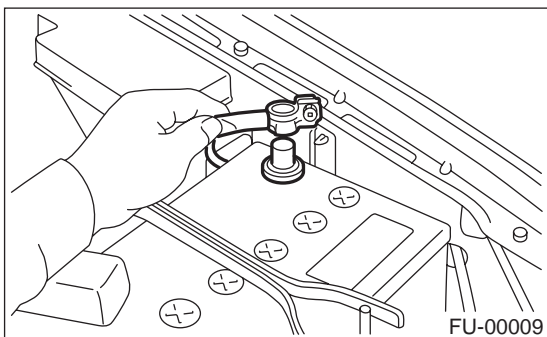
G SENSOR

ABS

8. G Sensor

A: REMOVAL

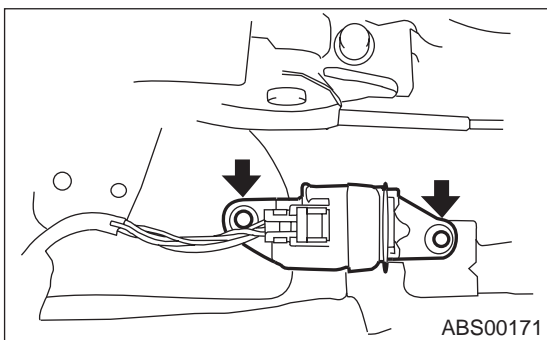
- 1) Disconnect battery ground cable.



- 2) Remove console cover.
<Ref. to EI-36, REMOVAL, Console Box.>
- 3) Disconnect connector from G sensor.
- 4) Remove G sensor from body.

CAUTION:

Do not drop or bump G sensor.

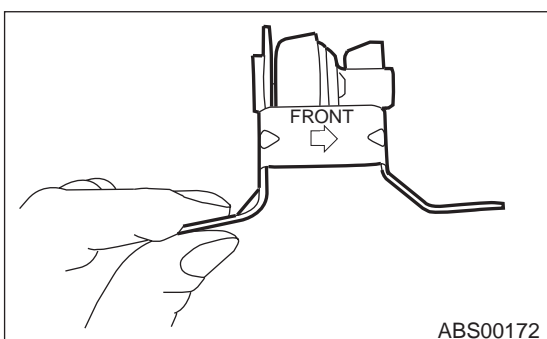


B: INSTALLATION

- 1) Install in the reverse order of removal.

NOTE:

Do not install G sensor in the wrong direction.
There is an arrow mark on the sensor showing which side faces the vehicle front.



ABS-21

G SENSOR

ABS

C: INSPECTION

Step	Value	Yes	No
1 CHECK SUBARU SELECT MONITOR.	Do you have SUBARU SELECT MONITOR?	Go to step 5.	Go to step 2.
2 CHECK G SENSOR. 1) Turn ignition switch to OFF. 2) Remove G sensor from vehicle. 3) Connect connector to G sensor. 4) Turn ignition switch to ON. 5) Measure voltage between G sensor connector terminals. Connector & terminal: (R70) No. 2 (+) — No. 3 (-)	Is the voltage 2.3 ± 0.2 V when G sensor is horizontal?	Go to step 3.	Replace G sensor.
3 CHECK G SENSOR. Measure voltage between G sensor connector terminals. Connector & terminal: (R70) No. 2 (+) — No. 3 (-)	Is the voltage 3.9 ± 0.2 V when G sensor is inclined forwards to 90° ?	Go to step 4.	Replace G sensor.
4 CHECK G SENSOR. Measure voltage between G sensor connector terminals. Connector & terminal: (R70) No. 2 (+) — No. 3 (-)	Is the voltage 0.7 ± 0.2 V when G sensor is inclined backwards to 90° ?	G sensor is normal.	Replace G sensor.
5 CHECK G SENSOR. 1) Turn ignition switch to OFF. 2) Connect select monitor connector to data link connector. 3) Turn select monitor into {BRAKE CONTROL} mode. 4) Set the display in the {Current Data Display & Save} mode. 5) Read the G sensor output voltage.	Is the indicated reading 2.3 ± 0.2 V when the vehicle is in horizontal position?	Go to step 6.	Replace G sensor.
6 CHECK G SENSOR. 1) Remove console box. 2) Remove G sensor from vehicle. (Do not disconnect connector.) 3) Read the select monitor display.	Is the indicated reading 3.9 ± 0.2 V when G sensor is inclined forwards to 90° ?	Go to step 7.	Replace G sensor.
7 CHECK G SENSOR. Read the select monitor display.	Is the indicated reading 0.7 ± 0.2 V when G sensor is inclined backwards to 90° ?	G sensor is normal.	Replace G sensor.