

DIFFERENTIAL GEAR OIL

DIFFERENTIALS

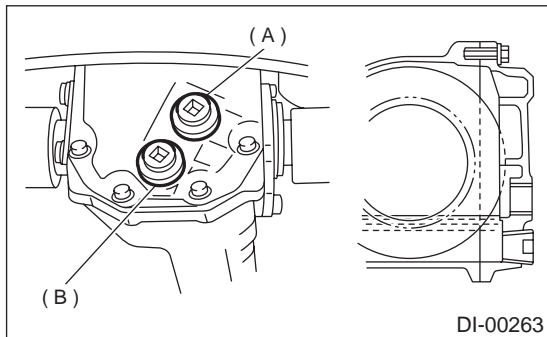
2. Differential Gear Oil

A: INSPECTION

1) Take out filler plug, and replace gear oil if it is contaminated or deteriorated. <Ref. to DI-21, REPLACEMENT, Differential Gear Oil.>

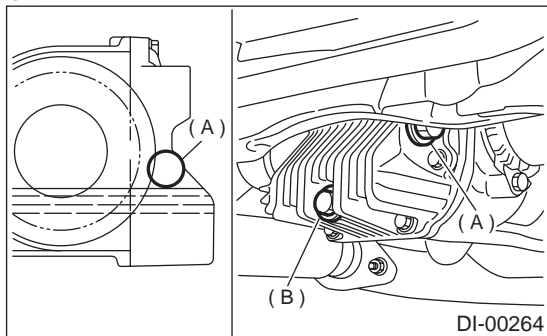
2) Check gear oil level is up to the bottom part of filler bolt. If the level is low, refill up to the bottom of filler bolt.

T-type



- (A) Filler plug
(B) Drain plug

VA-type



- (A) Filler plug
(B) Drain plug

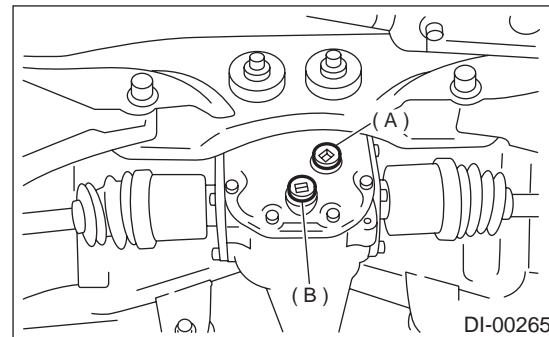
B: REPLACEMENT

- 1) Disconnect ground cable from battery.
- 2) Jack-up vehicle and support it with sturdy racks.
- 3) Remove the oil drain plug and filler plug, and drain the gear oil.

CAUTION:

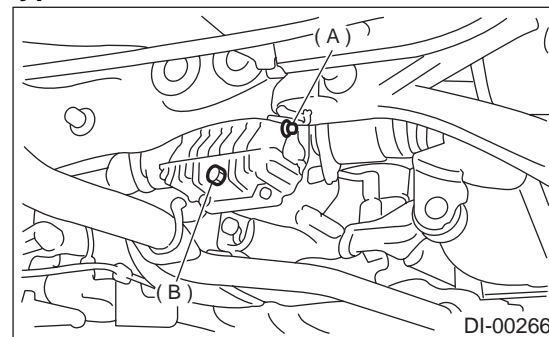
Be careful not to burn your hands, because gear oil becomes extremely hot after running.

T-type



- (A) Filler plug
(B) Drain plug

VA-type



- (A) Filler plug
(B) Drain plug

- 4) Tighten oil drain plug.

NOTE:

- Apply fluid packing to drain plug in T-type.
- VA-type uses a new aluminum gasket.

Fluid packing:

**THREE BOND 1105 (Part No.: 004403010)
or equivalent**

Tightening torque:

T-type;

49.0 N·m (5.0 kgf-m, 36.2 ft-lb)

VA-type;

34 N·m (3.5 kgf-m, 25.3 ft-lb)

DI-21

DIFFERENTIAL GEAR OIL

DIFFERENTIALS

5) Fill differential carrier with gear oil to the upper plug level.

CAUTION:

Carefully refill oil while watching the level. Excess or insufficient oil must be avoided.

Oil capacity:

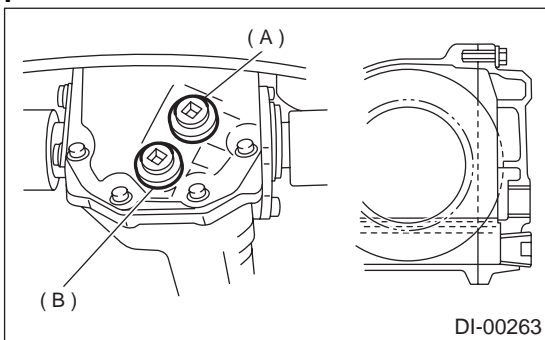
T-type;

0.8 ℓ (0.8 US qt, 0.7 Imp qt)

VA-type;

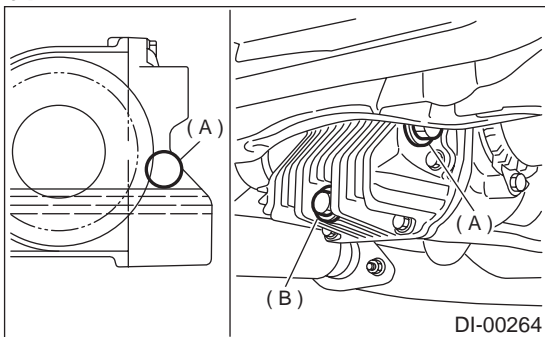
0.9 ℓ (1.0 US qt, 0.81 Imp qt)

T-type



- (A) Filler plug
- (B) Drain plug

VA-type



- (A) Filler plug
- (B) Drain plug

6) Install filler plug.

NOTE:

- Apply fluid packing to filler plug in T-type.
- VA-type uses a new aluminum gasket.

Fluid packing:

THREE BOND 1105 (Part No.: 004403010)
or equivalent

Tightening torque:

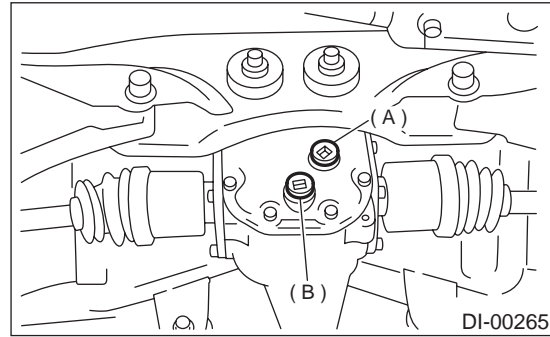
T-type;

49.0 N·m (5.0 kgf-m, 36.2 ft-lb)

VA-type;

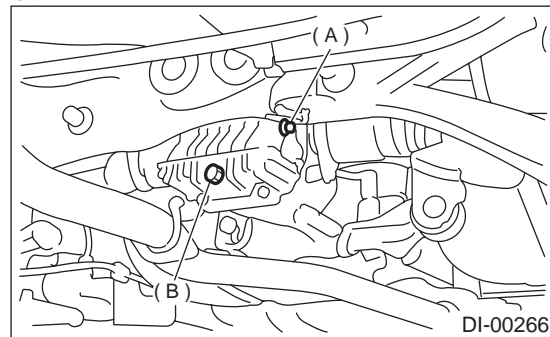
34 N·m (3.5 kgf-m, 25.3 ft-lb)

T-type



- (A) Filler plug
- (B) Drain plug

VA-type



- (A) Filler plug
- (B) Drain plug