

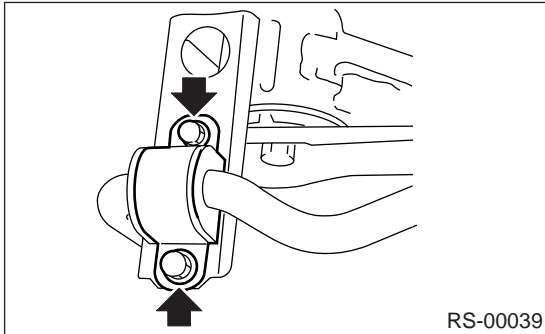
LINK REAR

REAR SUSPENSION

8. Link Rear

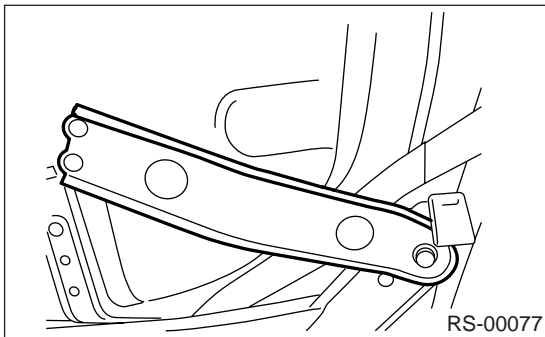
A: REMOVAL

- 1) Loosen wheel nuts. Lift-up vehicle and remove wheel.
- 2) Remove bolt securing stabilizer clamps to sub frame.



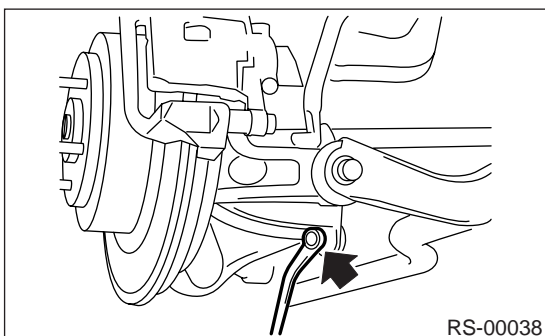
RS-00039

- 3) Remove support sub frame RH. (When removing RH side link rear.)



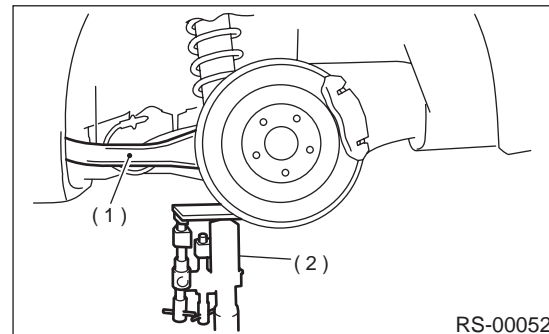
RS-00077

- 4) Remove stabilizer link.



RS-00038

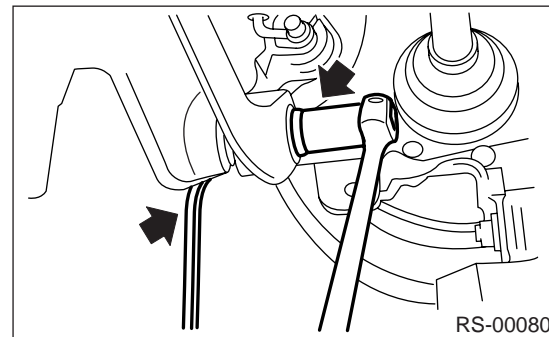
- 5) Use transmission jack to support rear arm horizontally.



RS-00052

- (1) Rear arm
- (2) Transmission jack

- 6) Remove bolt securing link rear to rear arm.



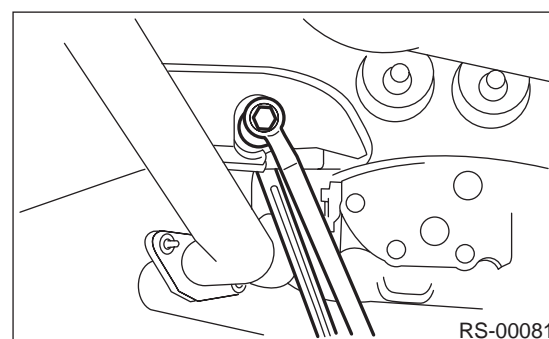
RS-00080

- 7) Scribe an alignment mark on link rear adjusting bolt and sub frame.

- 8) Remove bolts securing link rear to sub frame, detach link rear.

CAUTION:

To loosen adjusting bolt, always loosen nut while holding the head of adjusting bolt.



RS-00081

RS-19

LINK REAR

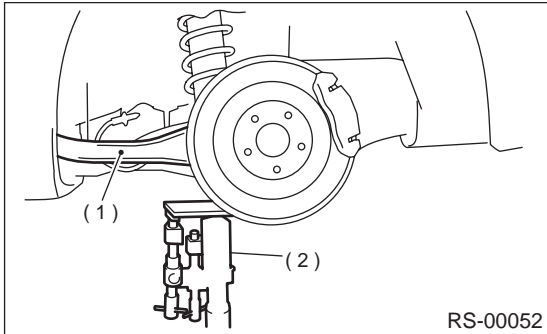
REAR SUSPENSION

B: INSTALLATION

Install in the reverse order of removal, observing the following instructions.

CAUTION:

- Using transmission jack, support rear arm horizontally, install link rear and tighten nuts to specified torque.



- (1) Rear arm
- (2) Transmission jack

- Tighten nut when installing adjusting bolt.
- Replace self-locking nut.

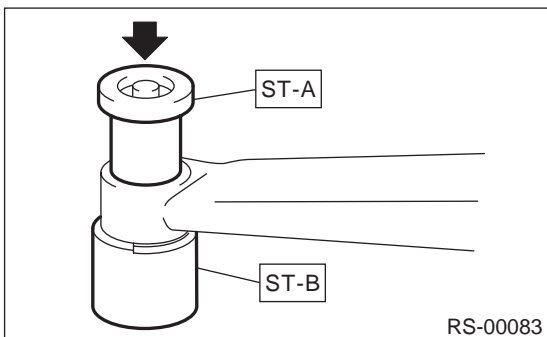
NOTE:

Check wheel alignment and adjust if necessary.

C: DISASSEMBLY

Using ST-A, B, press bushing out of place.

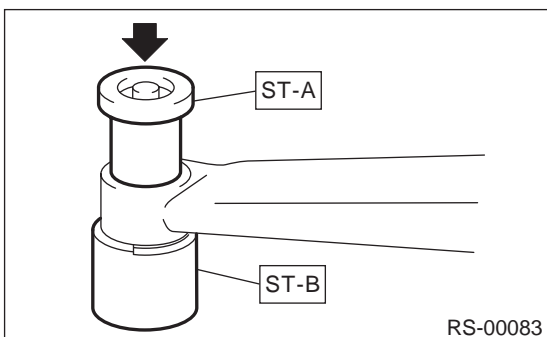
ST-A, B 20099AE000INSTALLER & REMOVER



D: ASSEMBLY

Using ST-A and ST-B, press bushing into place.

ST-A, B 20099AE000INSTALLER & REMOVER



RS-20