

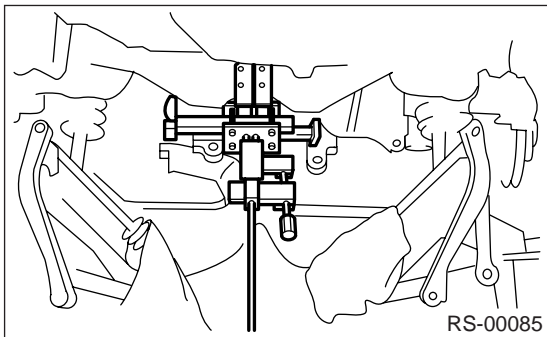
## REAR SUB FRAME

### REAR SUSPENSION

## 10.Rear Sub Frame

### A: REMOVAL

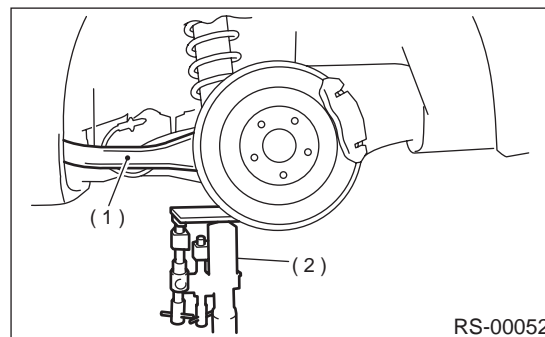
- 1) Separate front exhaust pipe and rear exhaust pipe.
- 2) Remove rear exhaust pipe and muffler.
- 3) Remove rear differential.  
With T-type  
<Ref. to DI-24, REMOVAL, Rear Differential for T-type.>  
With VA-type  
<Ref. to DI-41, REMOVAL, Rear Differential for VA-type.>
- 4) Disconnect link front from sub frame.  
<Ref. to RS-18, REMOVAL, Link Front.>
- 5) Disconnect link rear from sub frame.  
<Ref. to RS-19, REMOVAL, Link Rear.>
- 6) Disconnect link upper from sub frame.  
<Ref. to RS-14, REMOVAL, Link Upper.>
- 7) Place transmission jack under sub frame.



- 8) Remove support sub frame front.
- 9) After removing bolts, remove sub frame and support sub frame from vehicle body.

### B: INSTALLATION

- 1) Install in reverse order of removal.
- 2) For installation and tightening torque of rear differential.  
With T-type  
<Ref. to DI-25, INSTALLATION, Rear Differential for T-type.>  
With VA-type  
<Ref. to DI-42, INSTALLATION, Rear Differential for VA-type.>
- 3) Using transmission jack, support rear arm horizontally and tighten nuts and bolts securing rear arm, link front, link rear, link upper and shock absorber.



- (1) Rear arm
- (2) Transmission jack

- 4) Install support sub frame front.

#### NOTE:

Check wheel alignment and adjust if necessary.

### C: INSPECTION

Check removed parts for wear, damage and cracks, and correct or replace if defective.