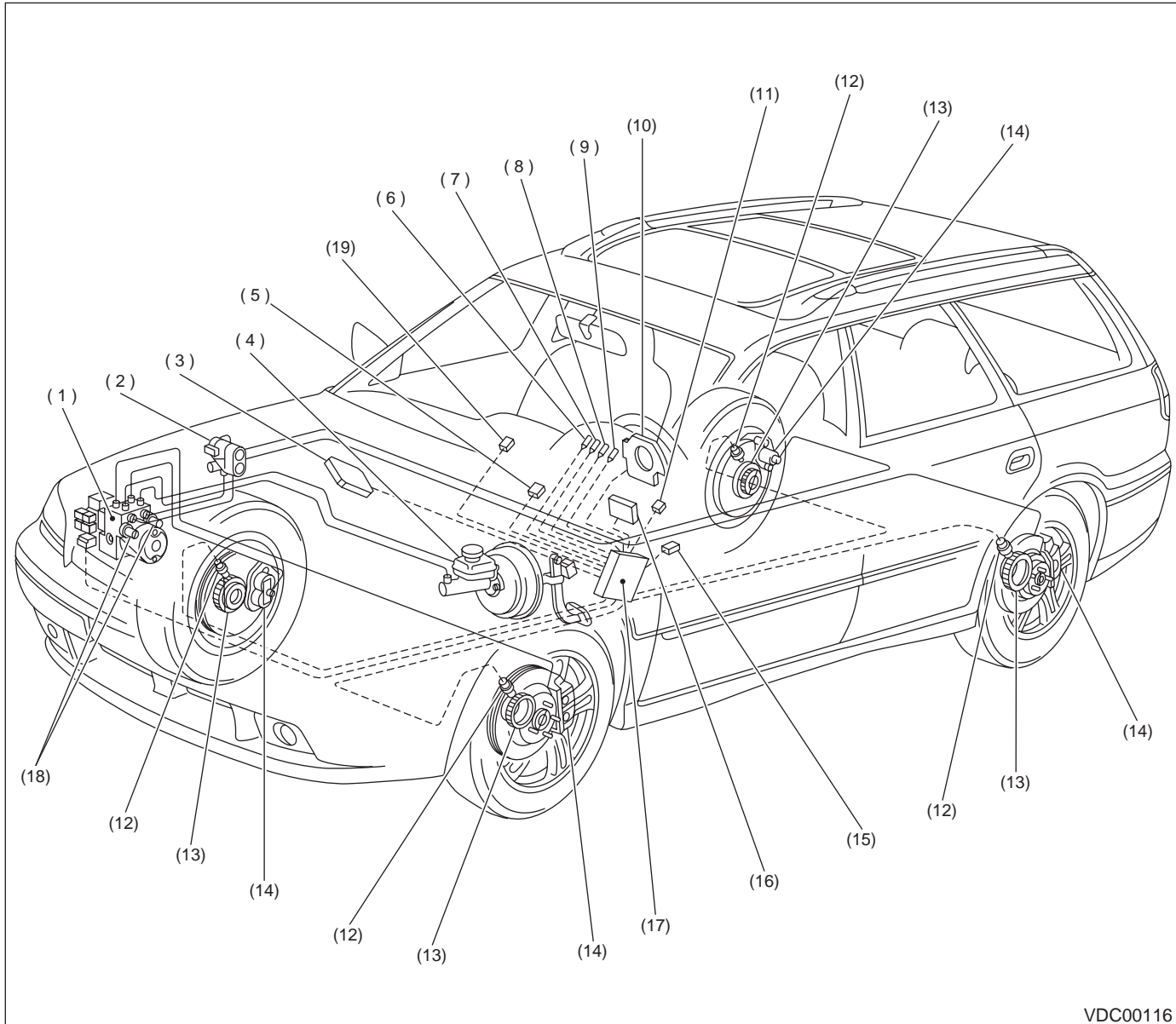


ELECTRICAL COMPONENTS LOCATION

VDC (DIAGNOSTICS)

4. Electrical Components Location

A: LOCATION



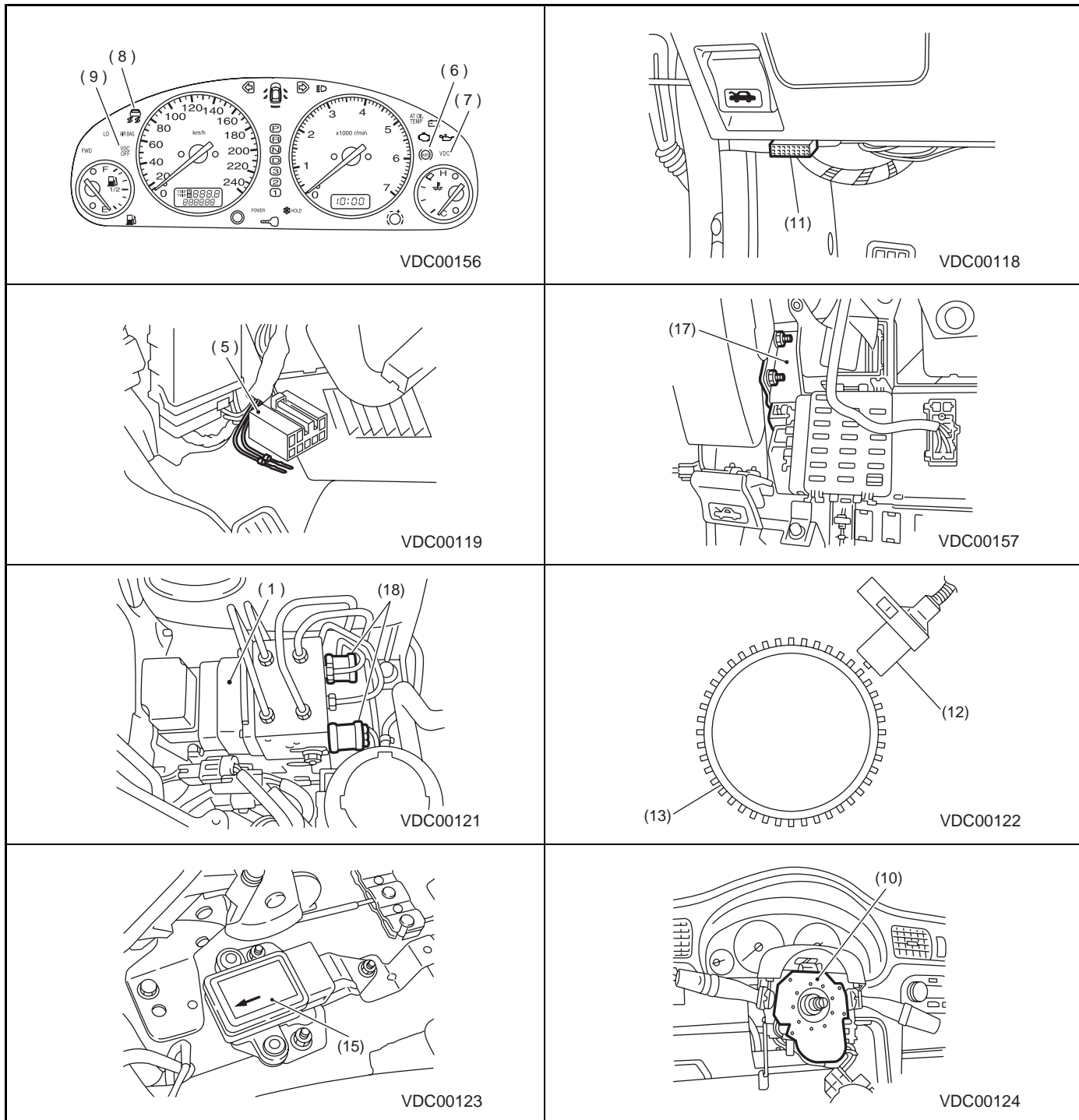
VDC00116

- | | | |
|---|--|----------------------------------|
| (1) VDC hydraulic control unit (VDCH/U) | (7) VDC warning light | (13) Tone wheel |
| (2) Proportioning valve | (8) VDC operating indicator light | (14) Wheel cylinder |
| (3) Engine control module | (9) VDC OFF indicator light | (15) Yaw rate & lateral G sensor |
| (4) Master cylinder | (10) Steering angle sensor | (16) Transmission control module |
| (5) Diagnosis connector | (11) Data link connector (for SUBARU select monitor) | (17) VDC control module (VDCCM) |
| (6) ABS warning light | (12) ABS sensor | (18) Pressure sensor |
| | | (19) VDC OFF switch |

VDC-11

ELECTRICAL COMPONENTS LOCATION

VDC (DIAGNOSTICS)



VDC-12