

## PURGE CONTROL SOLENOID VALVE

EMISSION CONTROL (AUX. EMISSION CONTROL DEVICES)

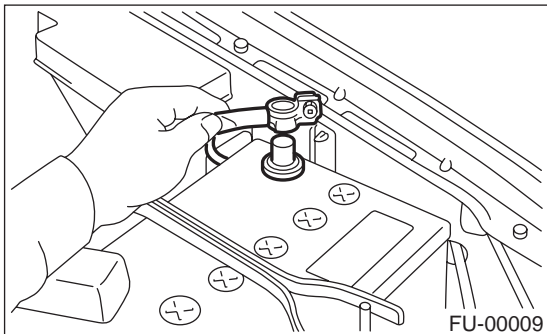
### 5. Purge Control Solenoid Valve

*Tightening torque:*

**19 N·m (1.9 kgf·m, 14 ft·lb)**

#### A: REMOVAL

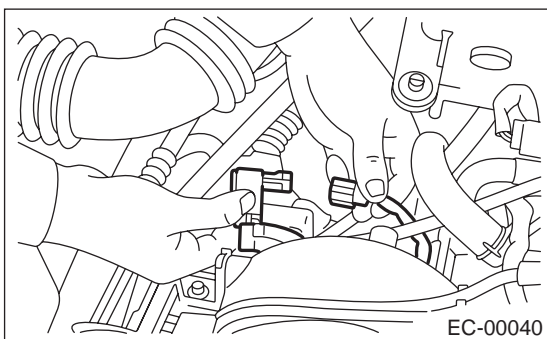
- 1) Disconnect battery ground cable.



- 2) Remove bolt which installs purge control solenoid valve onto intake manifold.

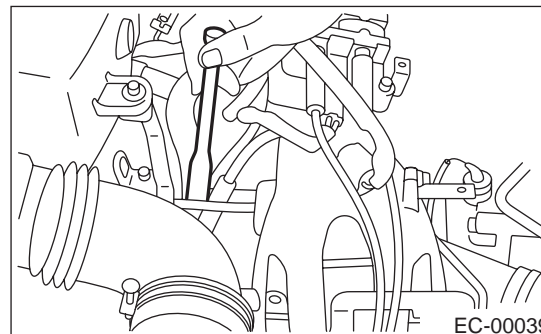


- 3) Take out purge control solenoid valve through the bottom of the intake manifold.
- 4) Disconnect connector and hoses from purge control solenoid valve.



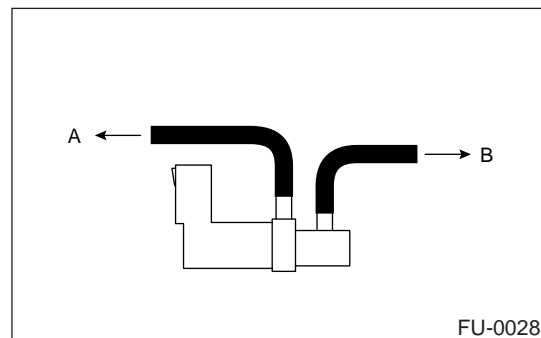
#### B: INSTALLATION

- 1) Install in the reverse order of removal.



#### CAUTION:

**Connect the evaporation hoses as shown in the illustration.**



- (A) To fuel pipe
- (B) To intake manifold

#### C: INSPECTION

Make sure hoses are not cracked or loose.