

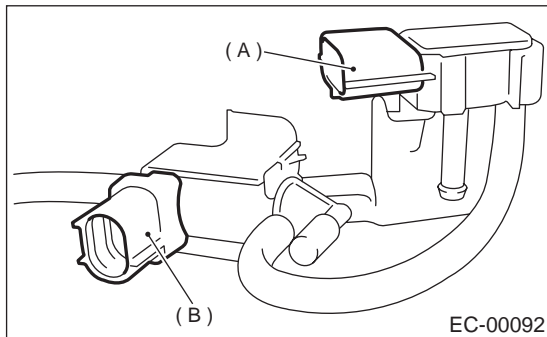
FUEL TANK SENSOR CONTROL VALVE

EMISSION CONTROL (AUX. EMISSION CONTROL DEVICES)

11. Fuel Tank Sensor Control Valve

A: REMOVAL

- 1) Remove fuel tank pressure sensor. <Ref. to EC(H4SO)-11, REMOVAL, Fuel Tank Pressure Sensor.>
- 2) Remove fuel tank sensor control valve from bracket.



- (1) Fuel tank pressure sensor
- (2) Fuel tank sensor control valve

B: INSTALLATION

Install in the reverse order of removal.

C: INSPECTION

Make sure that hoses are not cracked or loose.