

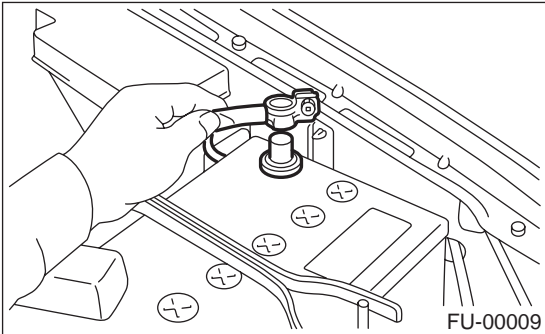
DRAIN VALVE

EMISSION CONTROL (AUX. EMISSION CONTROL DEVICES)

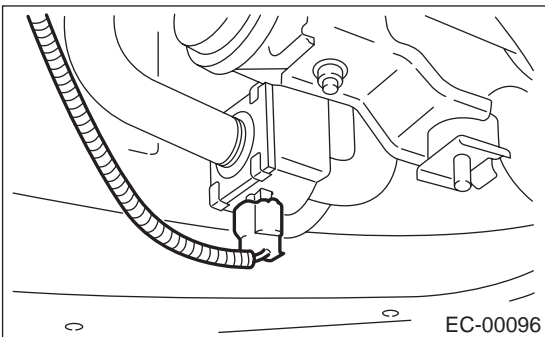
16. Drain Valve

A: REMOVAL

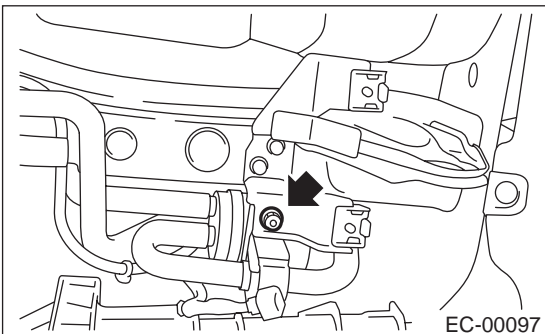
- 1) Set the vehicle on the lift.
- 2) Disconnect battery ground cable.



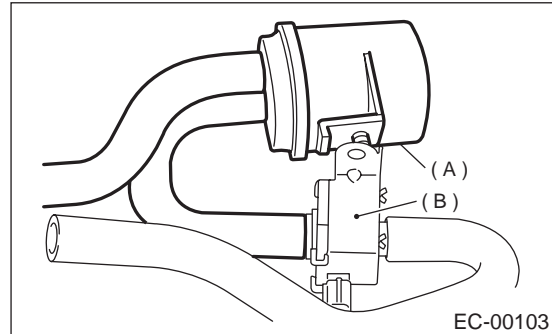
- 3) Lift-up the vehicle.
- 4) Remove canister. <Ref. to EC(H4SO)-5, REMOVAL, Canister.>
- 5) Disconnect connector from drain valve.



- 6) Remove bolt which installs drain filter and drain valve brackets on body.



- 7) Disconnect evaporation hose and remove drain valve.



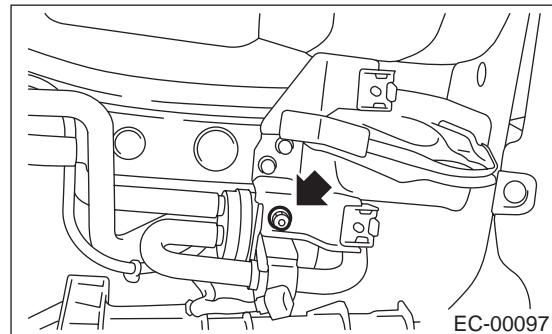
- (1) Drain filter
- (2) Drain valve

B: INSTALLATION

Install in the reverse order of removal.

Tightening torque:

18 N·m (1.8 kgf-m, 13.0 ft-lb)



C: INSPECTION

- 1) Make sure that all hoses are installed correctly.
- 2) Make sure that hoses are not cracked or loose.

DRAIN VALVE

EMISSION CONTROL (AUX. EMISSION CONTROL DEVICES)

MEMO:

EC(H4SO)-18