

ELECTRICAL COMPONENTS LOCATION

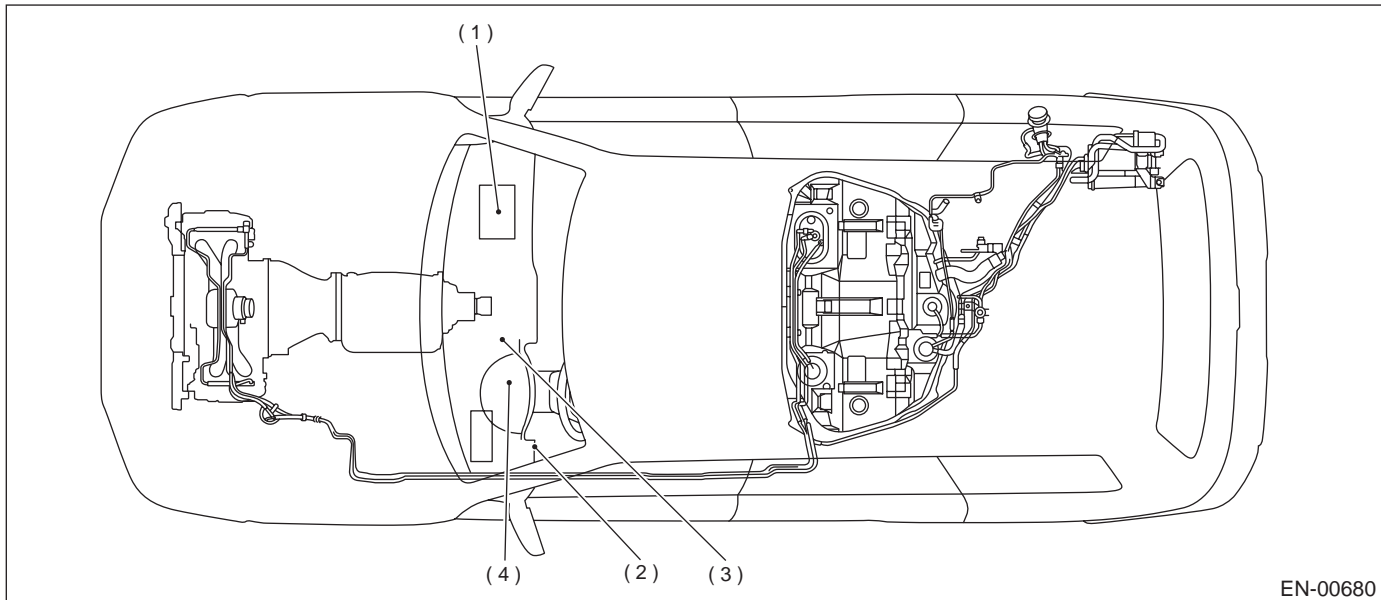
ENGINE (DIAGNOSTICS)

4. Electrical Components Location

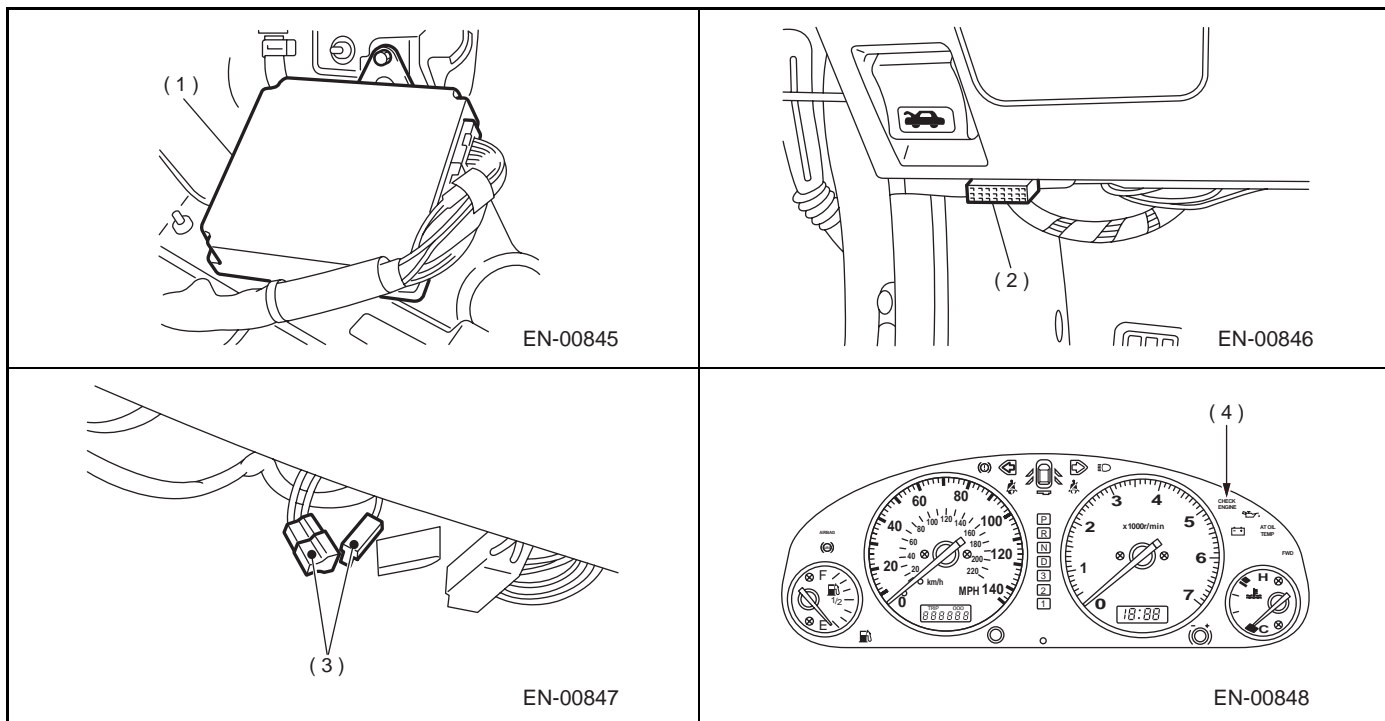
A: LOCATION

1. ENGINE

• MODULE



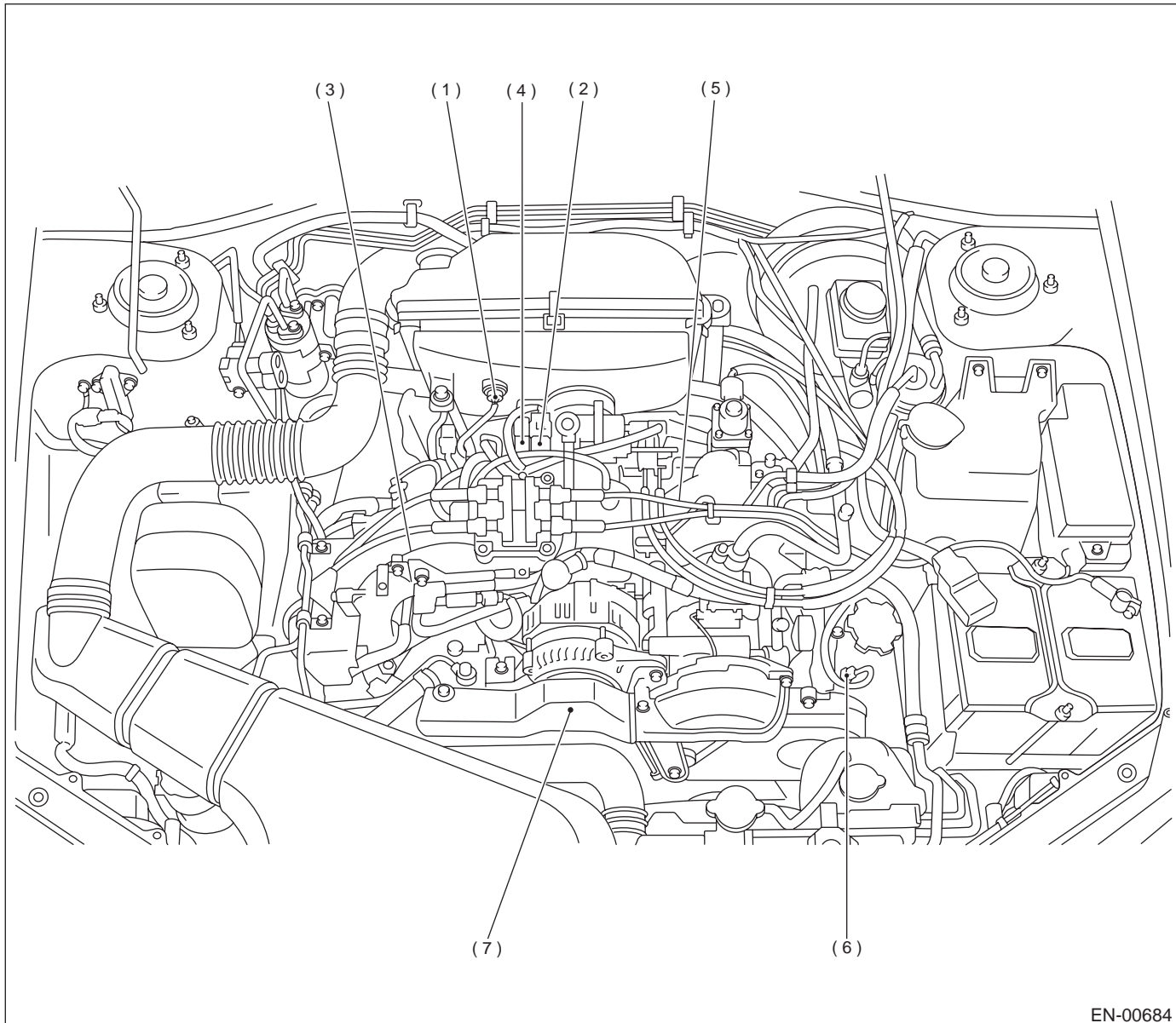
- (1) Engine control module (ECM)
- (2) Data link connector (for Subaru Select Monitor and OBD-II general scan tool)
- (3) Test mode connector
- (4) CHECK ENGINE malfunction indicator lamp (MIL)



ELECTRICAL COMPONENTS LOCATION

ENGINE (DIAGNOSTICS)


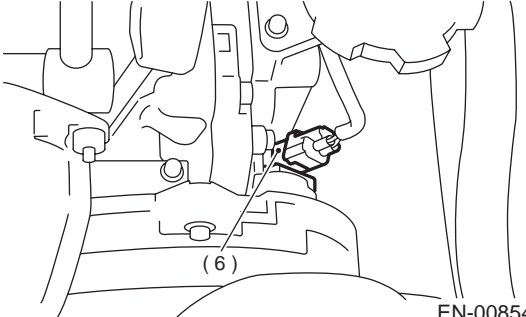
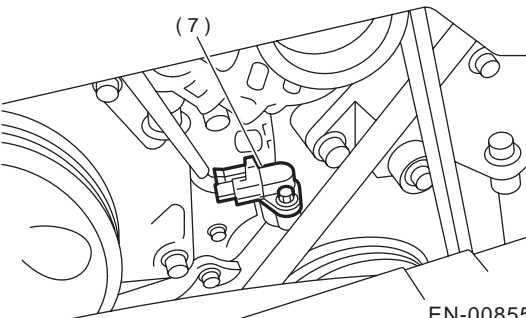
• SENSOR



- | | |
|---------------------------------------|--------------------------------|
| (1) Intake air temperature sensor | (5) Knock sensor |
| (2) Pressure sensor | (6) Camshaft position sensor |
| (3) Engine coolant temperature sensor | (7) Crankshaft position sensor |
| (4) Throttle position sensor | |

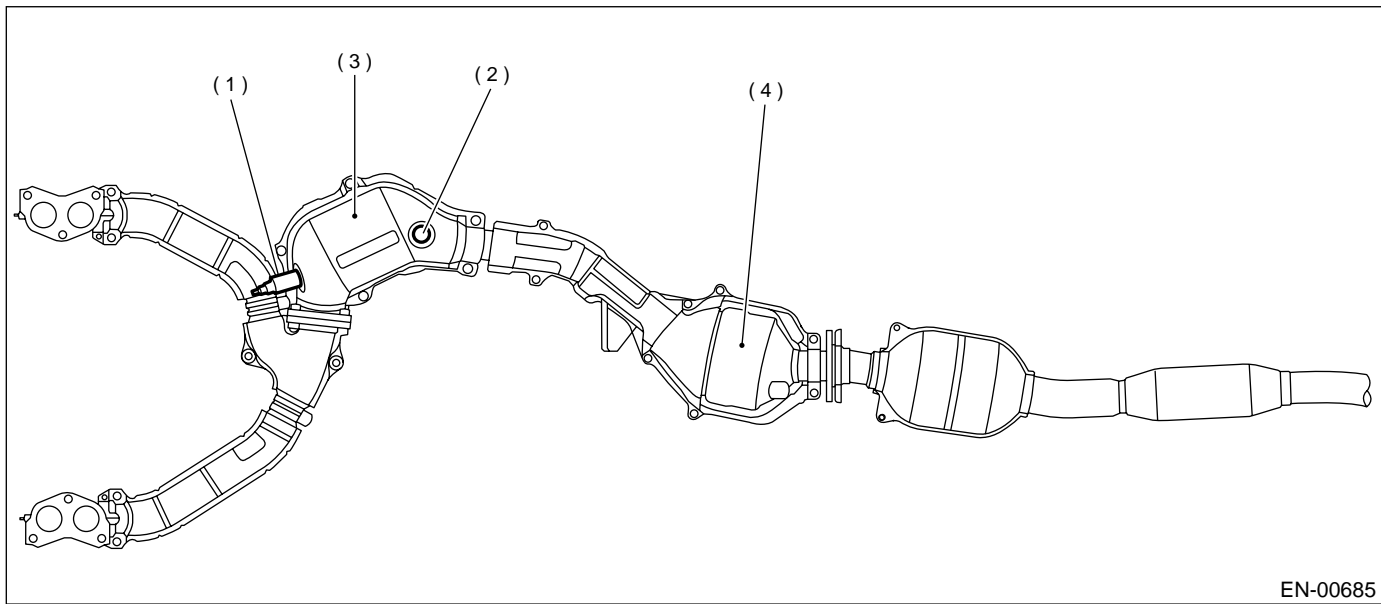
ELECTRICAL COMPONENTS LOCATION

ENGINE (DIAGNOSTICS)

 <p>EN-00849</p>	 <p>EN-00850</p>
 <p>EN-00851</p>	 <p>EN-00852</p>
 <p>EN-00853</p>	 <p>EN-00854</p>
 <p>EN-00855</p>	<p>SUBARU.</p>

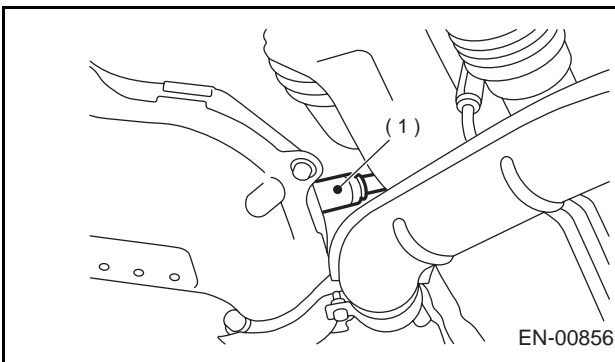
ELECTRICAL COMPONENTS LOCATION

ENGINE (DIAGNOSTICS)

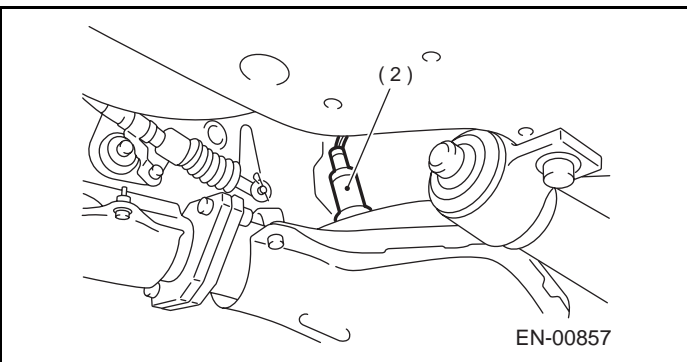


EN-00685

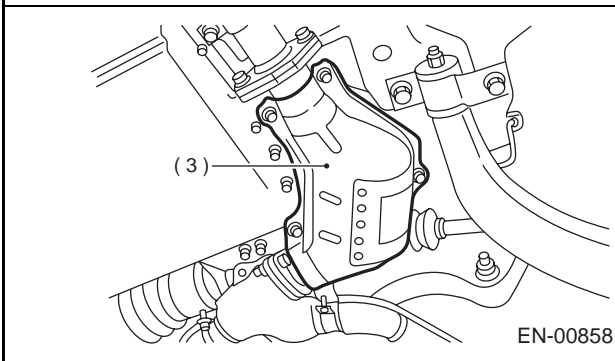
- (1) Front oxygen (A/F) sensor
- (2) Rear oxygen sensor
- (3) Front catalytic converter
- (4) Rear catalytic converter



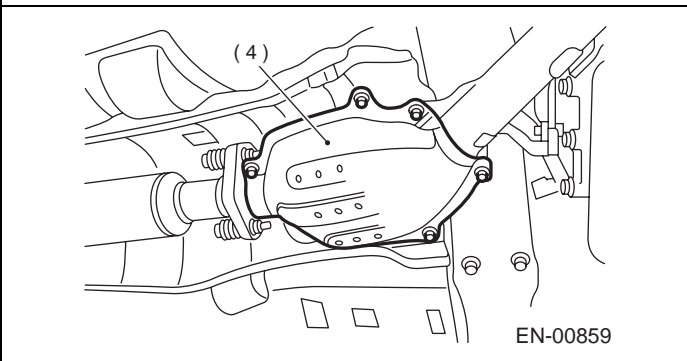
EN-00856



EN-00857



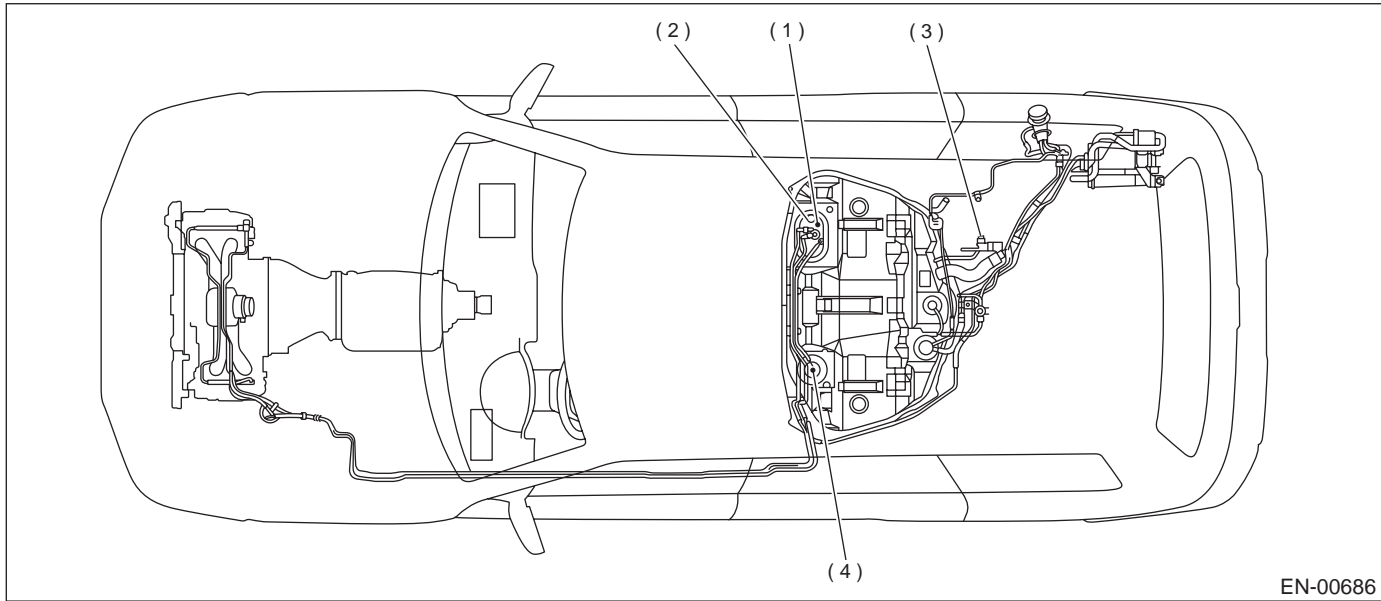
EN-00858



EN-00859

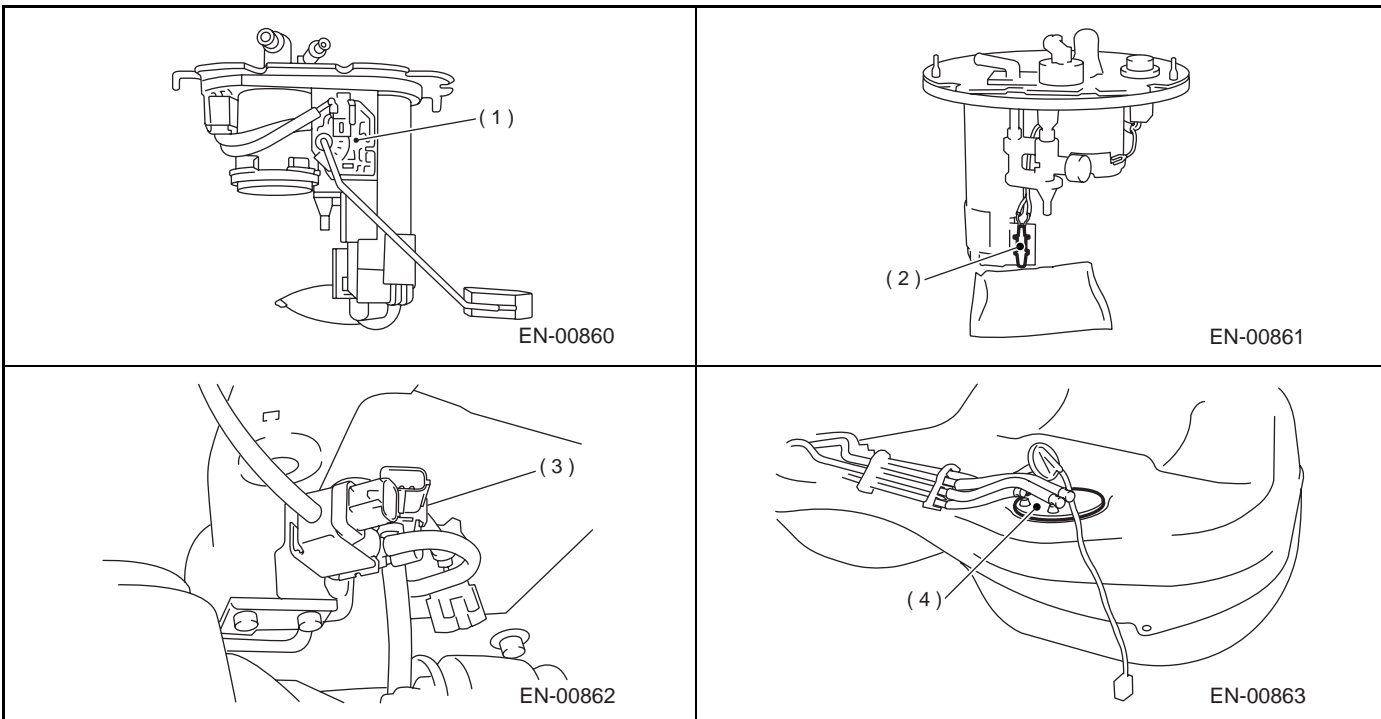
ELECTRICAL COMPONENTS LOCATION

ENGINE (DIAGNOSTICS)



EN-00686

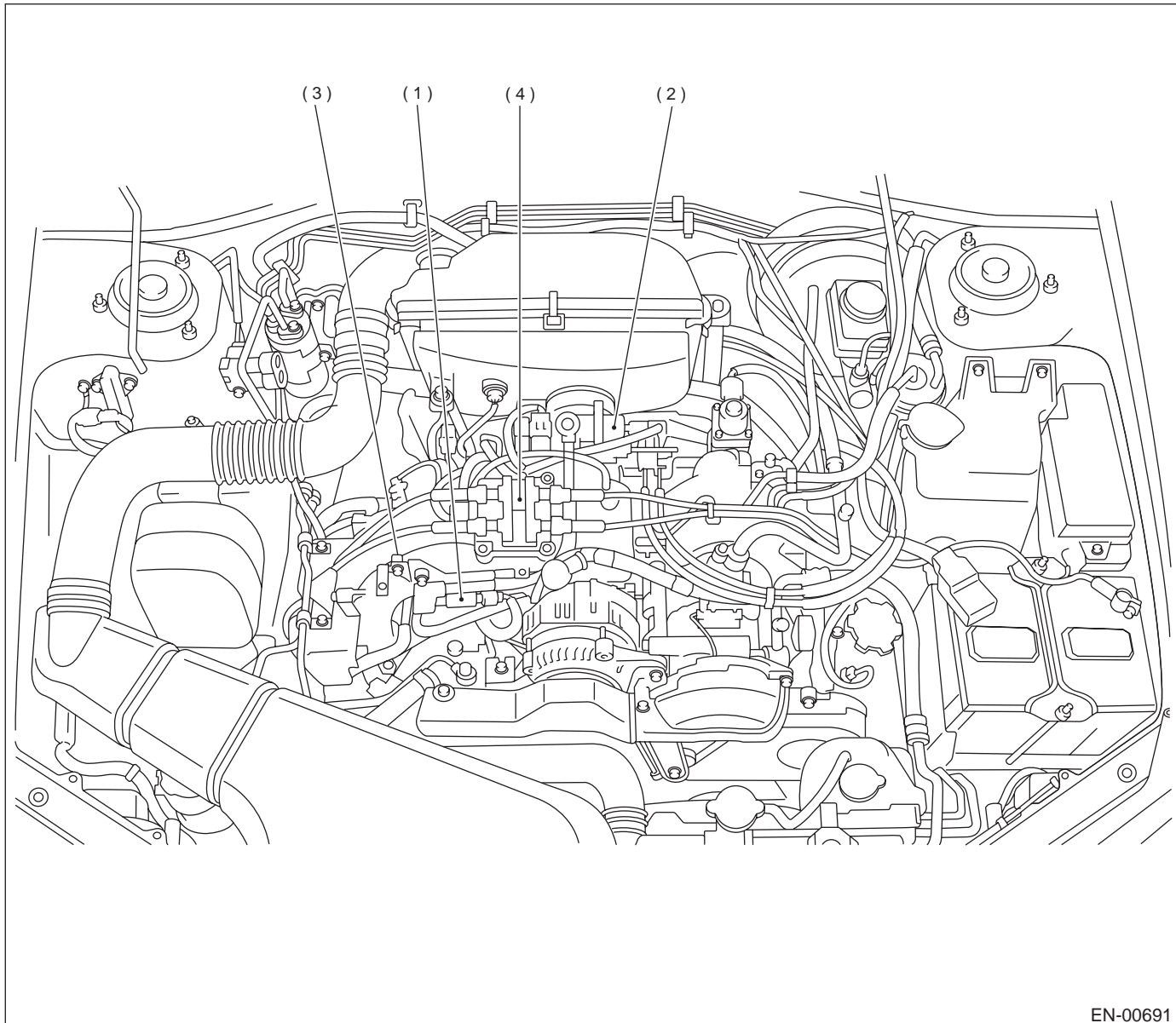
- (1) Fuel level sensor
- (2) Fuel temperature sensor
- (3) Fuel tank pressure sensor
- (4) Fuel sub level sensor



ELECTRICAL COMPONENTS LOCATION

ENGINE (DIAGNOSTICS)

• SOLENOID VALVE, EMISSION CONTROL SYSTEM PARTS AND IGNITION SYSTEM PARTS



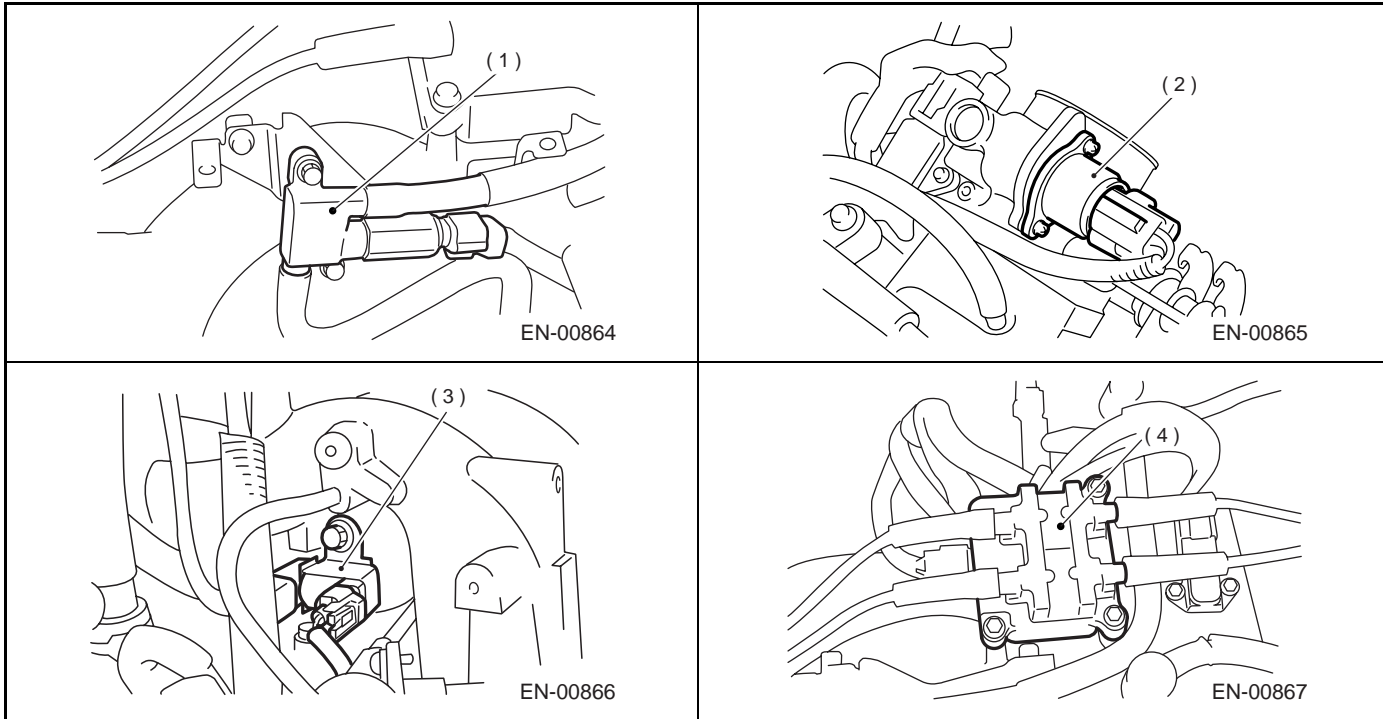
EN-00691

(1) Air assist injector solenoid valve
(2) Idle air control solenoid valve

(3) Purge control solenoid valve
(4) Ignition coil & ignitor ASSY

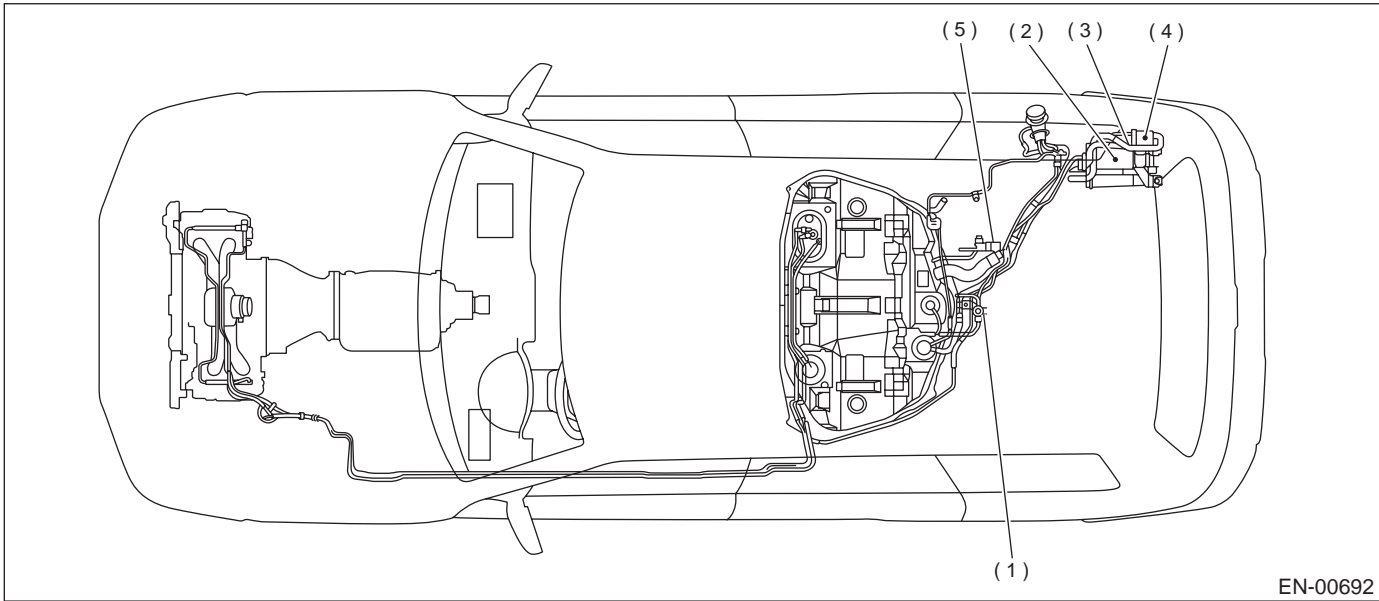
ELECTRICAL COMPONENTS LOCATION

ENGINE (DIAGNOSTICS)

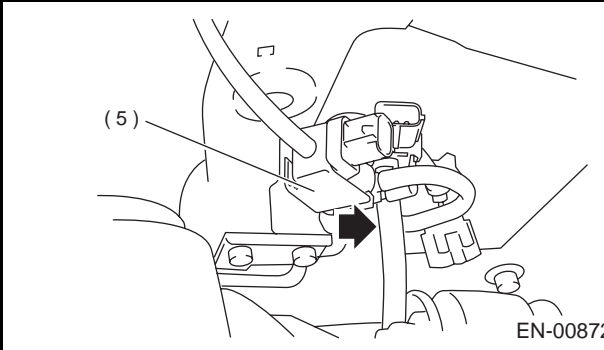
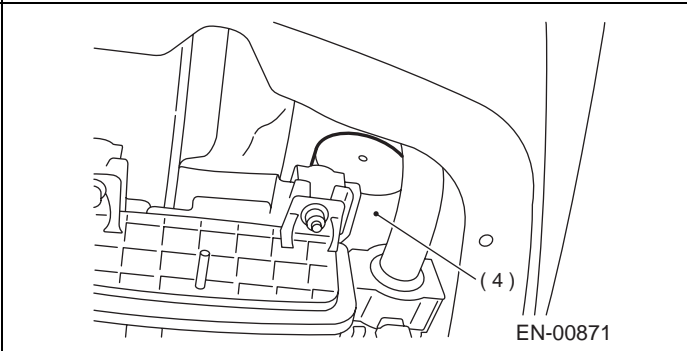
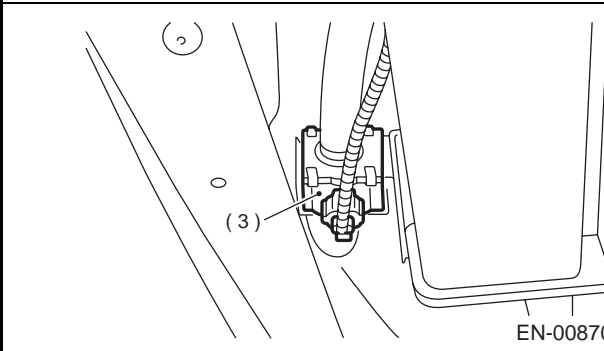
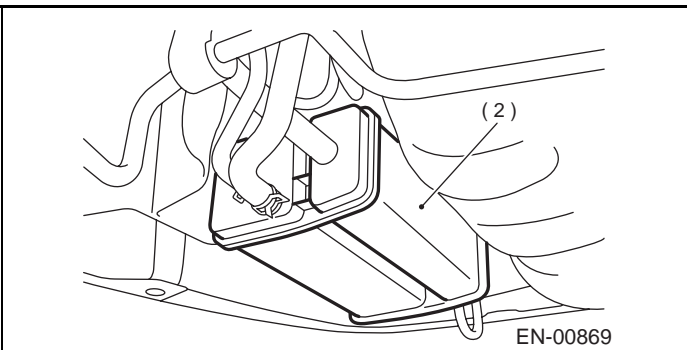
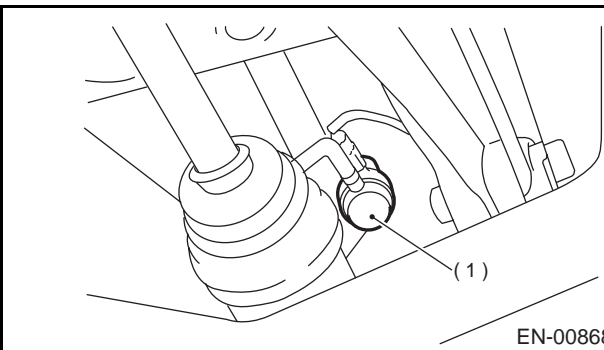


ELECTRICAL COMPONENTS LOCATION

ENGINE (DIAGNOSTICS)



- | | | |
|-------------------------------------|------------------|------------------------------------|
| (1) Pressure control solenoid valve | (3) Drain valve | (5) Fuel tank sensor control valve |
| (2) Canister | (4) Drain filter | |



ELECTRICAL COMPONENTS LOCATION

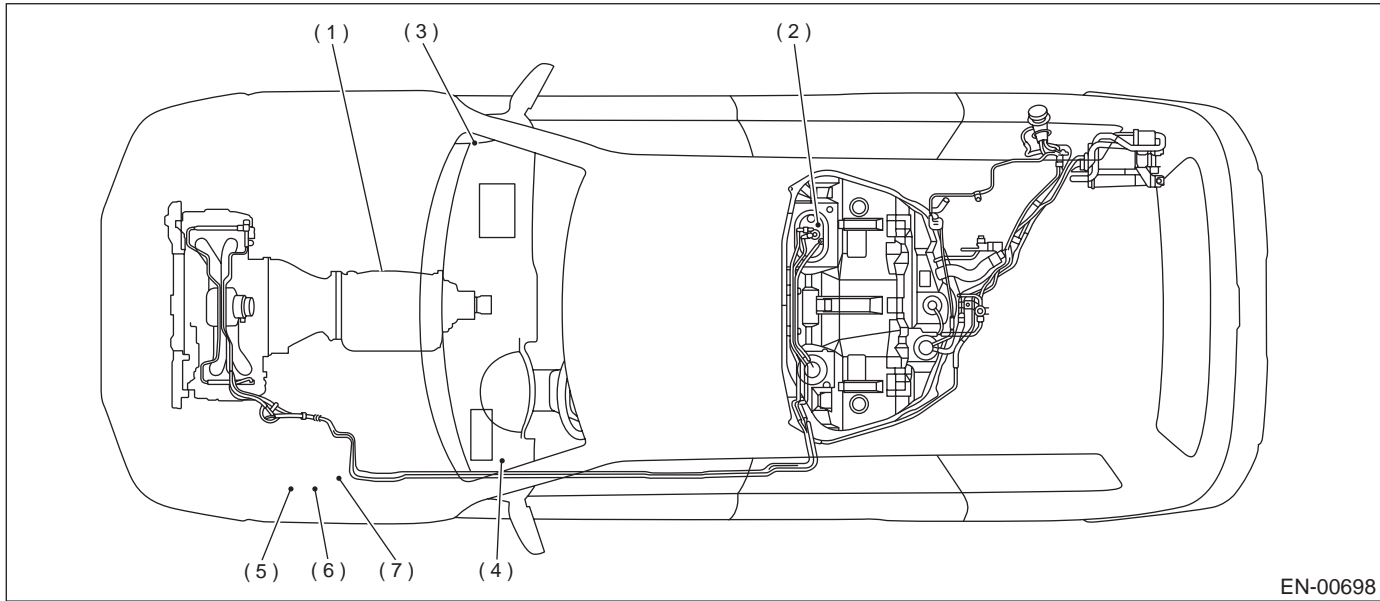
ENGINE (DIAGNOSTICS)

MEMO:

EN(H4SO)-17

ELECTRICAL COMPONENTS LOCATION

ENGINE (DIAGNOSTICS)

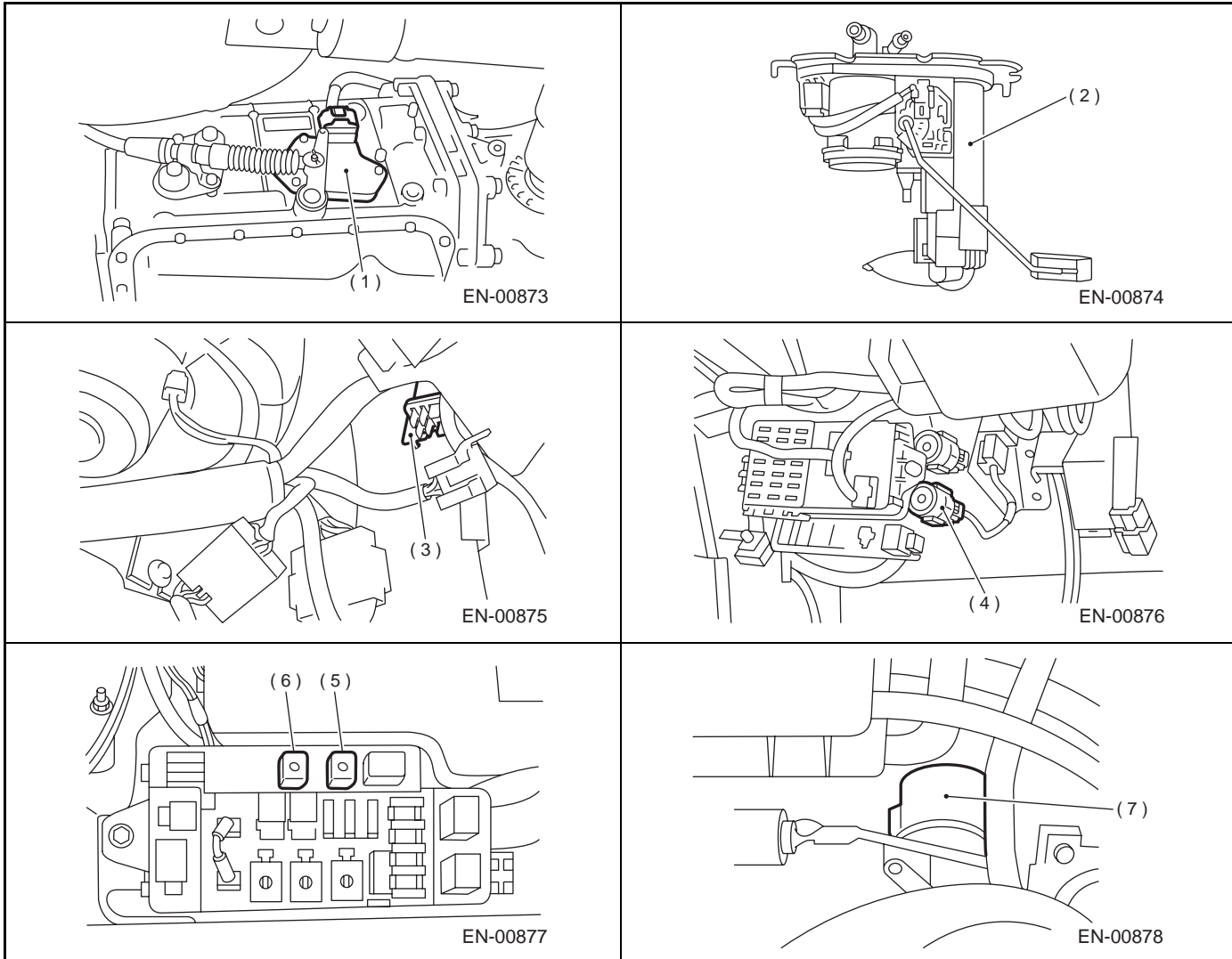


EN-00698

- | | | |
|----------------------|-----------------------------|-------------|
| (1) Inhibitor switch | (4) Fuel pump relay | (7) Starter |
| (2) Fuel pump | (5) Radiator main fan relay | |
| (3) Main relay | (6) Radiator sub fan relay | |

ELECTRICAL COMPONENTS LOCATION

ENGINE (DIAGNOSTICS)

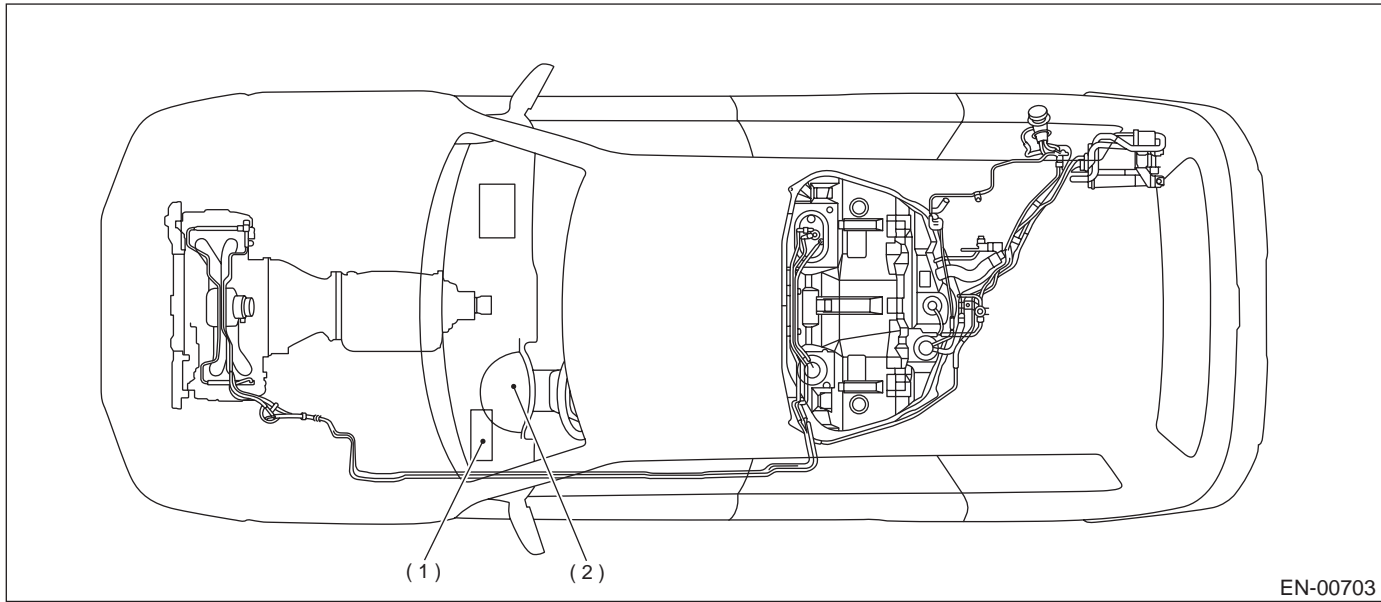


ELECTRICAL COMPONENTS LOCATION

ENGINE (DIAGNOSTICS)

2. TRANSMISSION

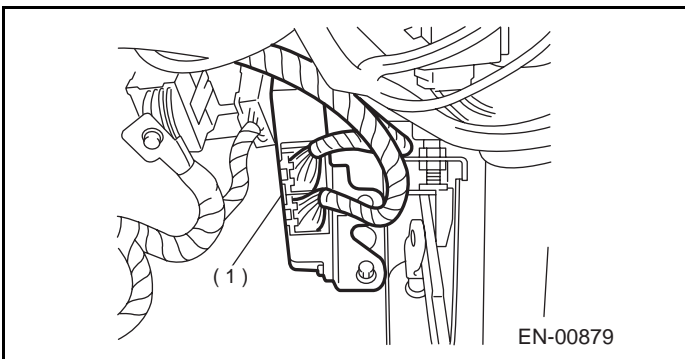
• MODULE



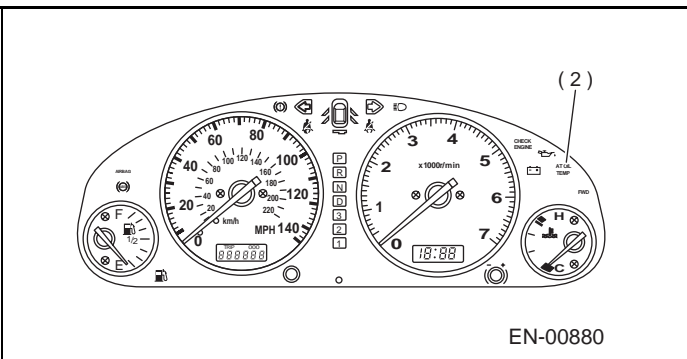
EN-00703

(1) Transmission Control Module (TCM) (for AT vehicles)

(2) AT diagnostic indicator light (for AT vehicles)



EN-00879

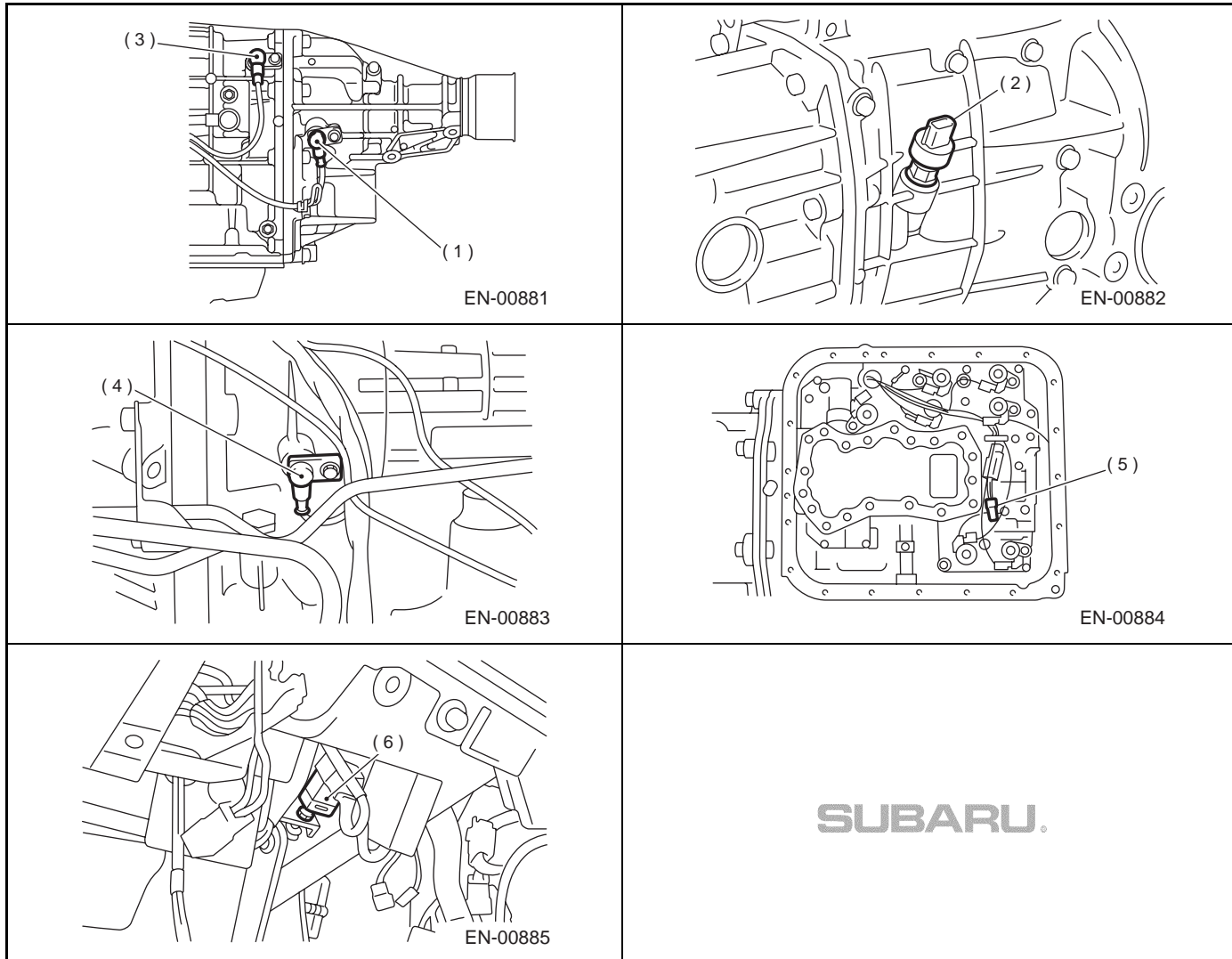


EN-00880

ELECTRICAL COMPONENTS LOCATION

ENGINE (DIAGNOSTICS)

• SENSOR

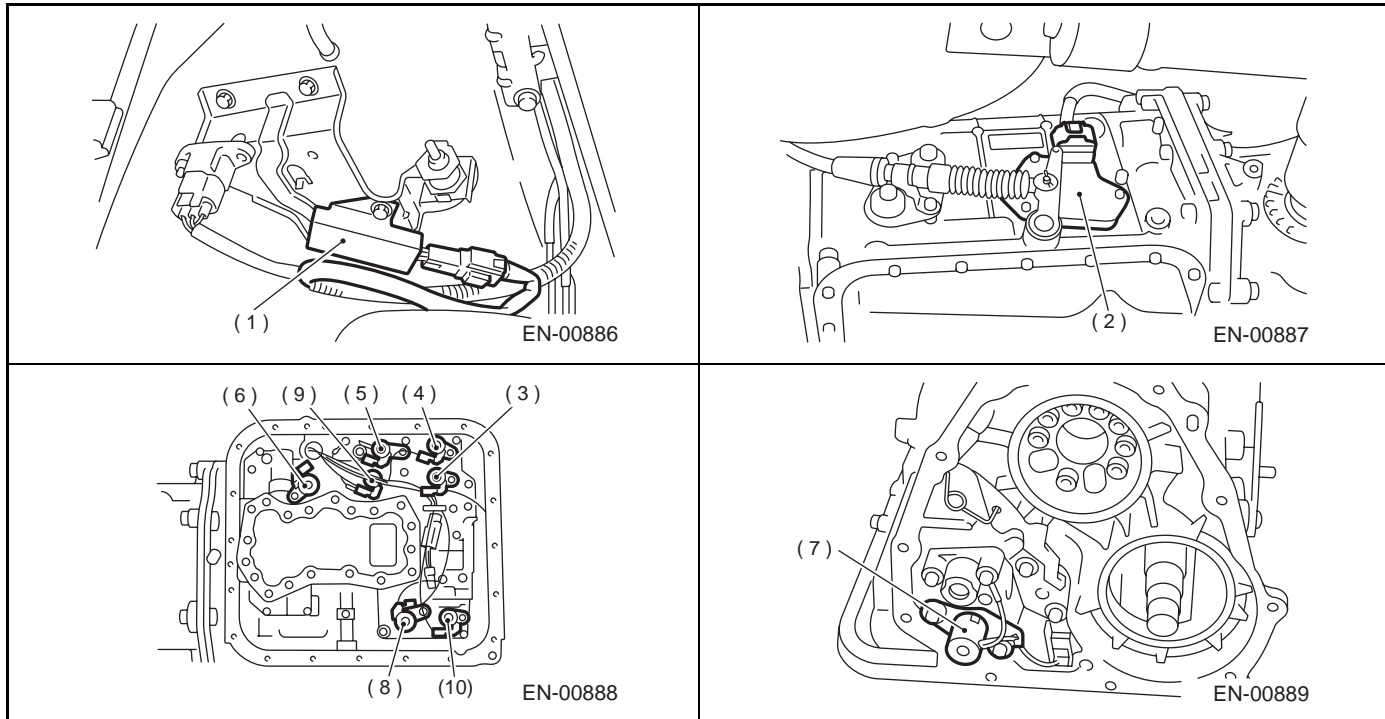


- (1) Rear vehicle speed sensor (for AT vehicles)
- (2) Front vehicle speed sensor (for MT vehicles)
- (3) Front vehicle speed sensor (for AT vehicles)
- (4) Torque converter turbine speed sensor
- (5) ATF temperature sensor (for AT vehicles)
- (6) Brake light switch

ELECTRICAL COMPONENTS LOCATION

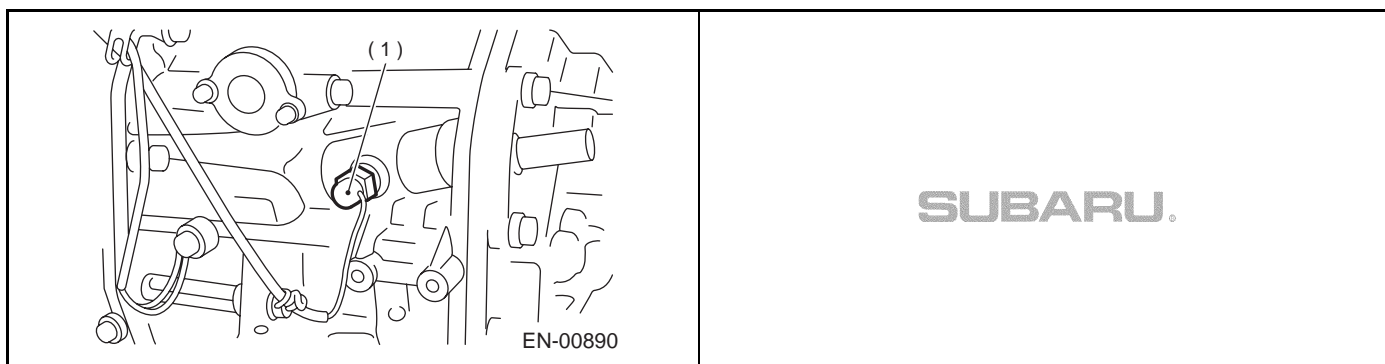
ENGINE (DIAGNOSTICS)

• SOLENOID VALVE AND SWITCH (AT VEHICLES)



- (1) Dropping resistor
- (2) Inhibitor switch
- (3) Shift solenoid valve 1
- (4) Shift solenoid valve 2
- (5) Line pressure duty solenoid
- (6) Lock-up duty solenoid
- (7) Transfer duty solenoid
- (8) 2-4 brake duty solenoid
- (9) Low clutch timing solenoid valve
- (10) 2-4 brake timing solenoid valve

• SOLENOID VALVE AND SWITCH (MT VEHICLES)



- (1) Neutral position switch

ELECTRICAL COMPONENTS LOCATION

ENGINE (DIAGNOSTICS)

MEMO:

EN(H4SO)-23