

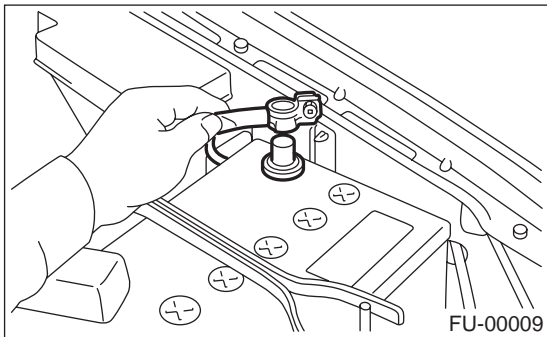
## KNOCK SENSOR

FUEL INJECTION (FUEL SYSTEMS)

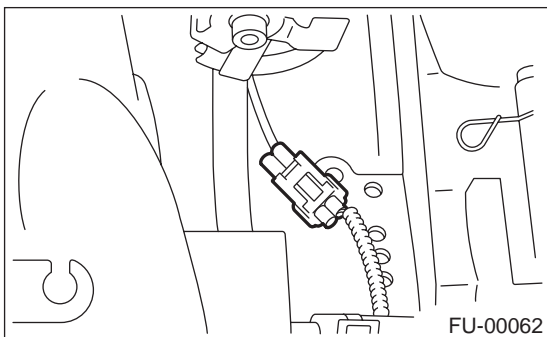
### 7. Knock Sensor

#### A: REMOVAL

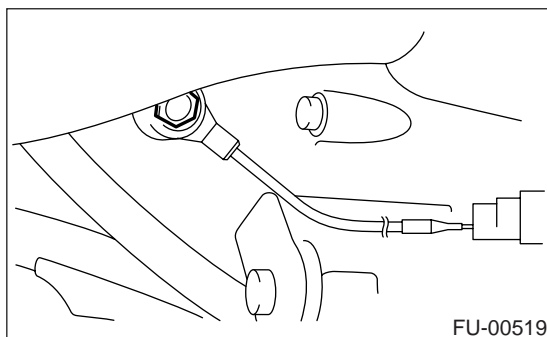
- 1) Disconnect battery ground cable.



- 2) Remove air cleaner case.  
<Ref. to IN(H4SO)-5, REMOVAL, Air Cleaner Case.>
- 3) Disconnect knock sensor connector.



- 4) Remove knock sensor from cylinder block.



#### B: INSTALLATION

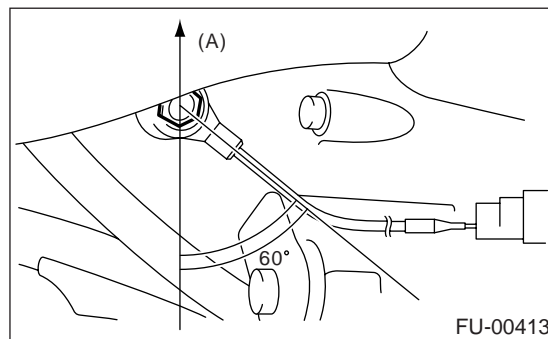
- 1) Install knock sensor to cylinder block.

**Tightening torque:**

**24 N·m (2.4 kgf-m, 17.4 ft-lb)**

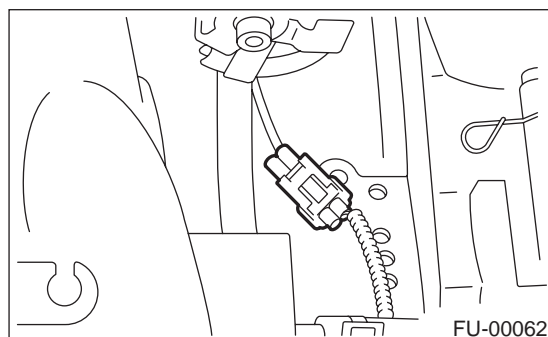
**NOTE:**

The extraction area of the knock sensor cord must be positioned at a 60° angle relative to the engine rear.



(A) Front side

- 2) Connect knock sensor connector.



- 3) Install air cleaner case.  
<Ref. to IN(H4SO)-5, INSTALLATION, Air Cleaner Case.>
- 4) Connect battery ground cable.

