

## INTAKE AIR TEMPERATURE SENSOR

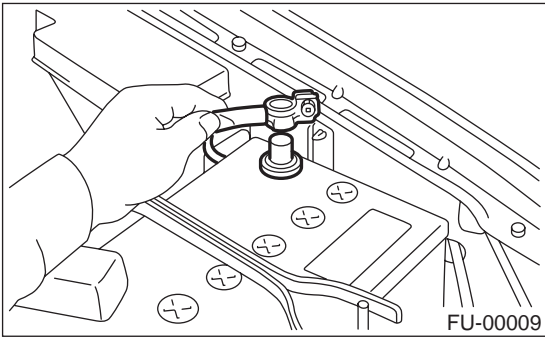
FUEL INJECTION (FUEL SYSTEMS)

---

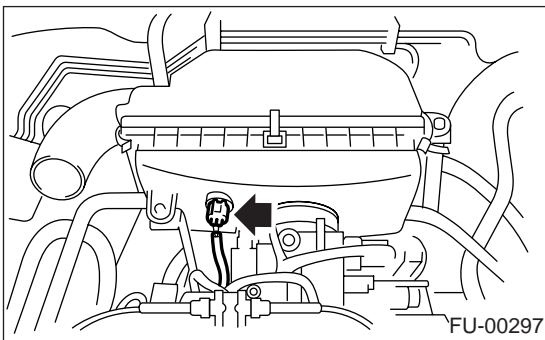
### 10. Intake Air Temperature Sensor

#### A: REMOVAL

- 1) Disconnect the ground cable from battery.



- 2) Disconnect the connector from the intake air temperature sensor.
- 3) Remove the intake air temperature sensor from air cleaner case.



#### B: INSTALLATION

Install in the reverse order of removal.