

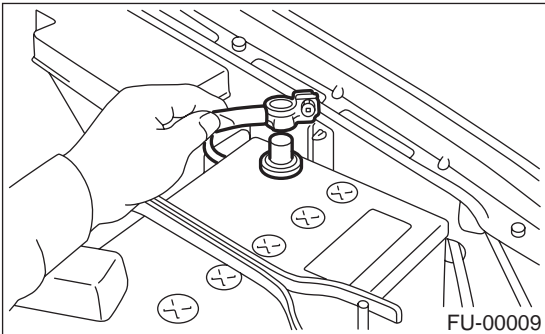
## AIR ASSIST INJECTOR SOLENOID VALVE

FUEL INJECTION (FUEL SYSTEMS)

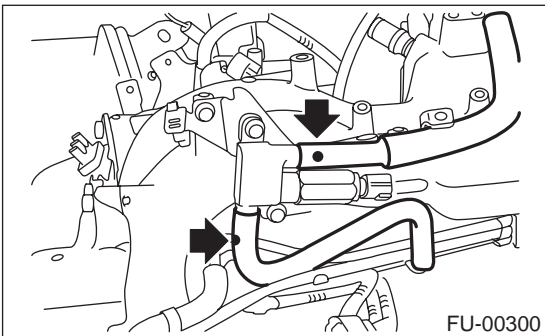
### 12. Air Assist Injector Solenoid Valve

#### A: REMOVAL

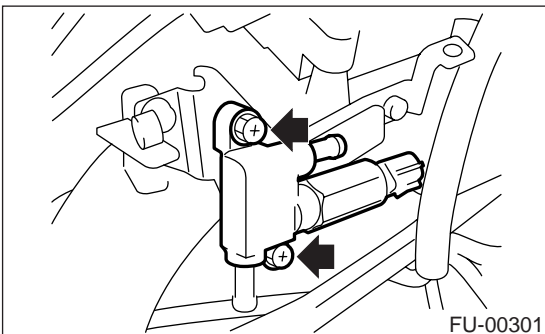
- 1) Disconnect battery ground cable.



- 2) Disconnect connector from air assist injector solenoid valve and disconnect air by-pass hoses.



- 3) Remove air assist injector solenoid valve from intake manifold.



#### B: INSTALLATION

Install in the reverse order of removal.

**Tightening torque:**

**5.0 N·m (0.51 kgf-m, 3.7 ft-lb)**

