

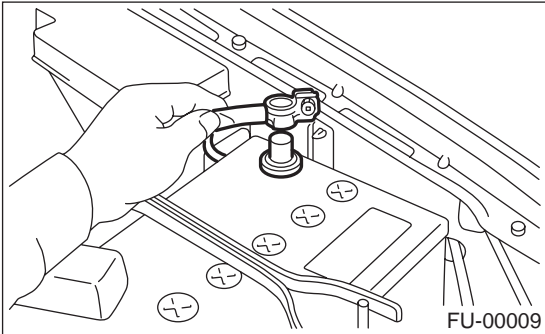
REAR OXYGEN SENSOR

FUEL INJECTION (FUEL SYSTEMS)

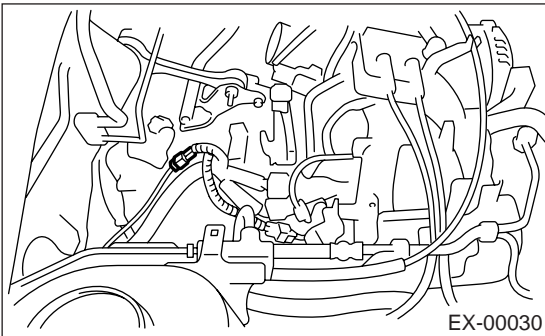
16.Rear Oxygen Sensor

A: REMOVAL

- 1) Disconnect battery ground cable.



- 2) Disconnect connector from rear oxygen sensor.



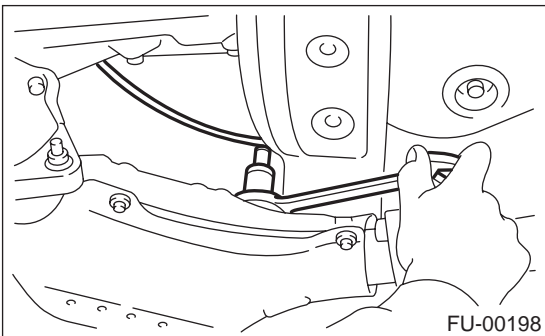
- 3) Lift-up the vehicle.
- 4) Apply SUBARU CRC or its equivalent to threaded portion of rear oxygen sensor, and leave it for one minute or more.

SUBARU CRC (Part No. 004301003)

- 5) Remove rear oxygen sensor.

CAUTION:

When removing the oxygen sensor, wait until exhaust pipe cools, otherwise it will damage exhaust pipe.



B: INSTALLATION

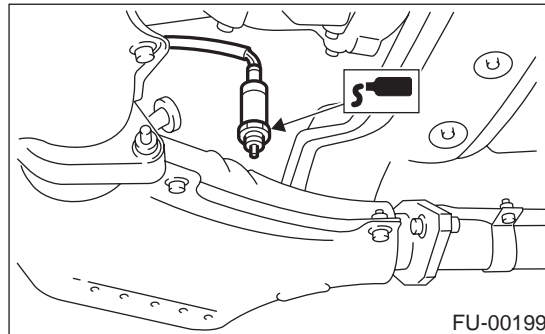
- 1) Before installing rear oxygen sensor, apply anti-seize compound only to threaded portion of rear oxygen sensor to make the next removal easier.

CAUTION:

Never apply anti-seize compound to protector of rear oxygen sensor.

Anti-seize compound:

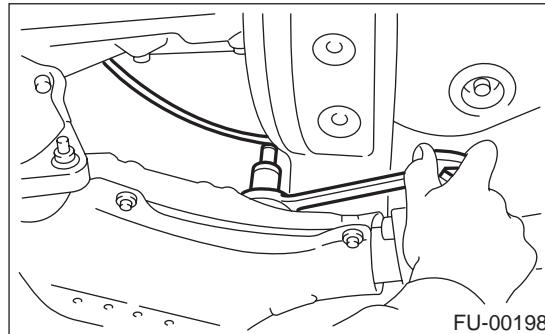
SS-30 by JET LUBE



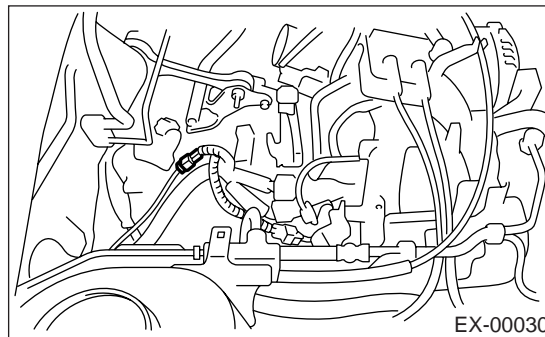
- 2) Install rear oxygen sensor.

Tightening torque:

21 N·m (2.1 kgf·m, 15.2 ft·lb)



- 3) Lower the vehicle.
- 4) Connect connector to rear oxygen sensor.



REAR OXYGEN SENSOR

FUEL INJECTION (FUEL SYSTEMS)

5) Connect battery ground cable.

