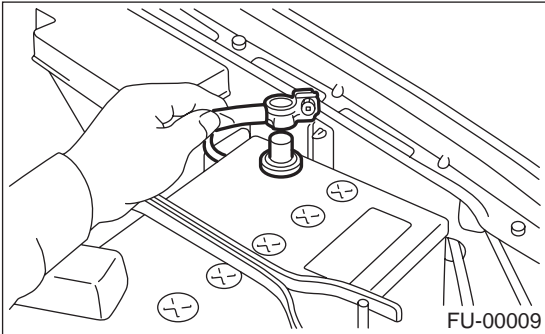


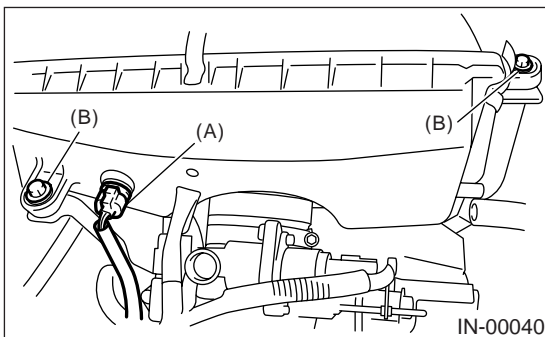
### 3. Air Cleaner Case

#### A: REMOVAL

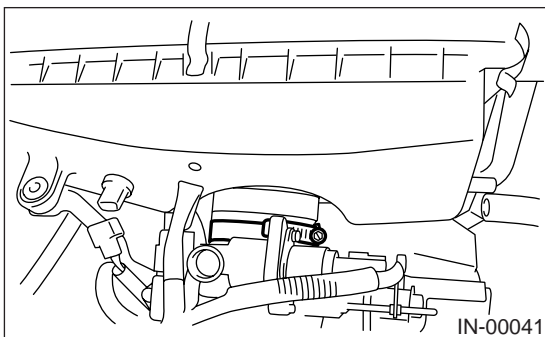
- 1) Disconnect the ground cable from battery.



- 2) Disconnect the connector (A) of intake air temperature sensor.  
 3) Remove the bolts (B) which install air cleaner case to stay.



- 4) Disconnect the hoses and intake duct from air cleaner case.  
 5) Loosen the clamp which connects air cleaner case to throttle body.



- 6) Remove the air cleaner case.

#### B: INSTALLATION

Install in the reverse order of removal.

#### C: INSPECTION

Inspect for cracks and loose connections.