

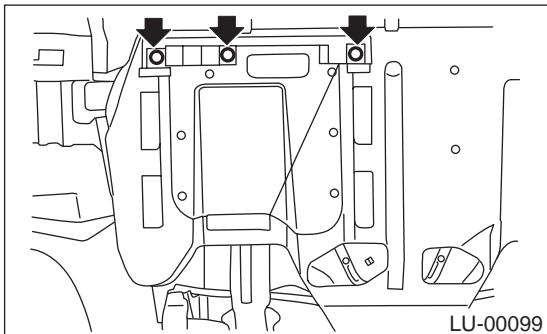
ENGINE OIL FILTER

LUBRICATION

7. Engine Oil Filter

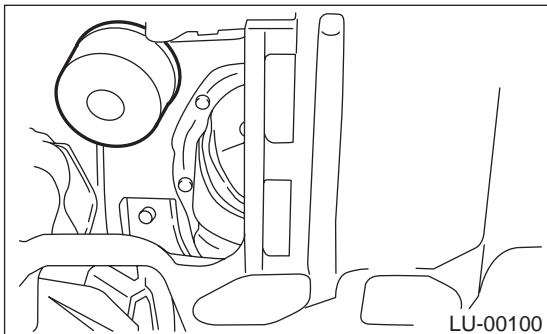
A: REMOVAL

- 1) Remove access lid.



- 2) Remove oil filter with ST.

ST 498547000 OIL FILTER WRENCH



B: INSTALLATION

- 1) Get a new oil filter and thinly apply engine oil to the seal rubber.
- 2) Install oil filter by turning it by hand, being careful not to damage seal rubber.
- 3) Tighten more (approximately 2/3 to 3/4 turn) after the seal rubber contacts the oil pump case. Do not tighten excessively, or oil may leak.

C: INSPECTION

- 1) After installing oil filter, run engine and make sure that no oil is leaking around seal rubber.

NOTE:

The filter element and filter case are integrated therefore, interior cleaning is not necessary.

- 2) Check the engine oil level. <Ref. to LU(H4SO)-7, INSPECTION, Engine Oil.>