

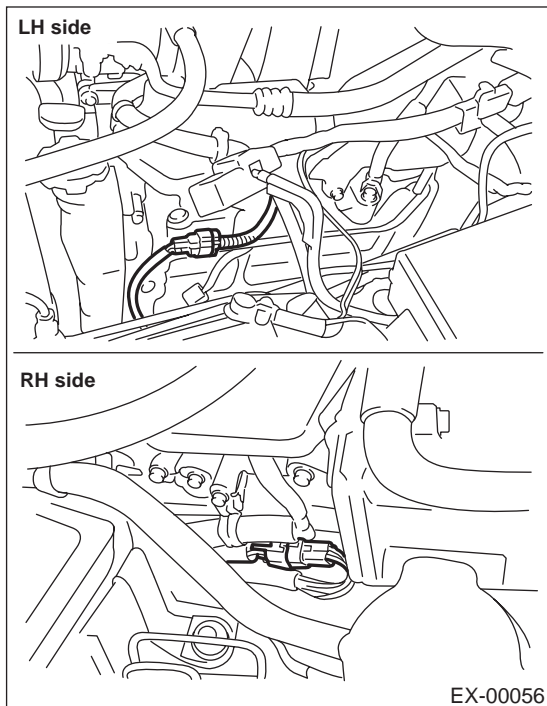
FRONT CATALYTIC CONVERTER

EMISSION CONTROL (AUX. EMISSION CONTROL DEVICES)

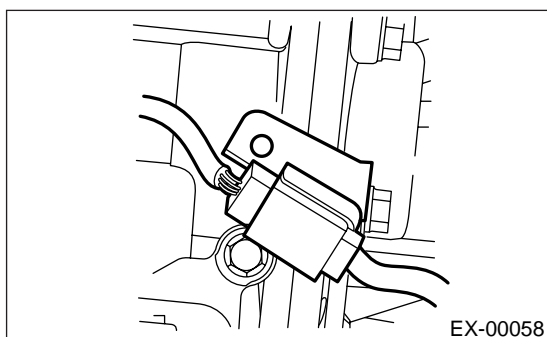
2. Front Catalytic Converter

A: REMOVAL

- 1) Set the vehicle on the lift.
- 2) Remove battery.
- 3) Remove air cleaner case and air intake duct.
<Ref. to IN(H6DO)-5, REMOVAL, Air Cleaner.>
and <Ref. to IN(H6DO)-7, REMOVAL, Air Intake Duct.>
- 4) Disconnect front oxygen (A/F) sensor connectors.



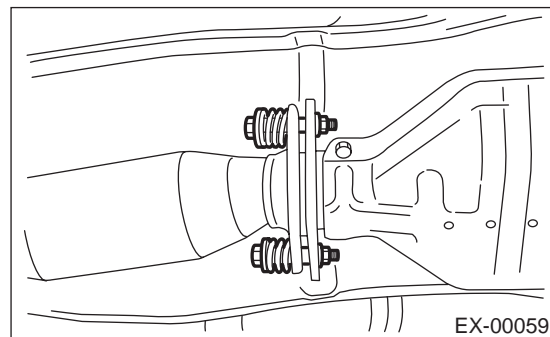
- 5) Lift-up the vehicle.
- 6) Remove under cover.
- 7) Remove front oxygen (A/F) sensor harness from the clips attached to both right and left cylinder head covers.
- 8) Disconnect connector from rear oxygen sensor connector.



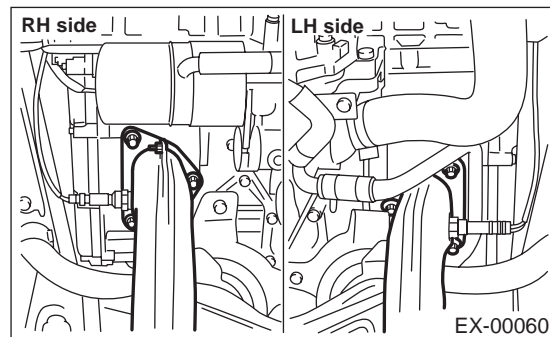
- 9) Separate front exhaust pipe from rear exhaust pipe.

CAUTION:

Be careful, exhaust pipe is hot.



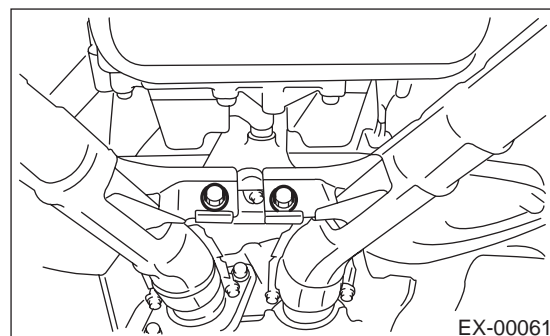
- 10) Remove nuts which hold front exhaust pipe onto cylinder heads.



- 11) Remove front exhaust pipe from hanger bracket.

CAUTION:

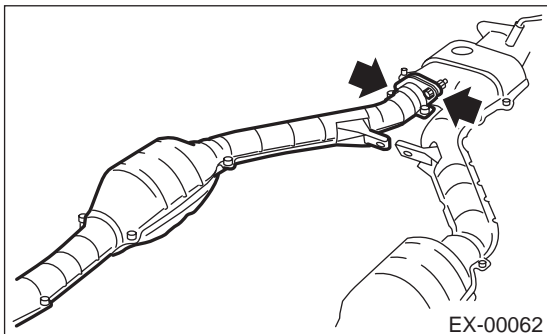
Be careful not to pull down front exhaust pipe.



FRONT CATALYTIC CONVERTER

EMISSION CONTROL (AUX. EMISSION CONTROL DEVICES)

12) Separate front catalytic converter (RH) from front exhaust pipe.



B: INSTALLATION

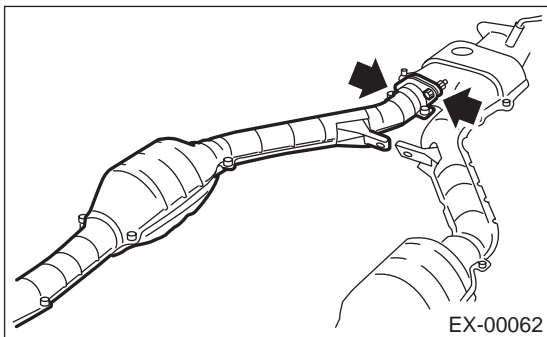
NOTE:

Replace gaskets with new ones.

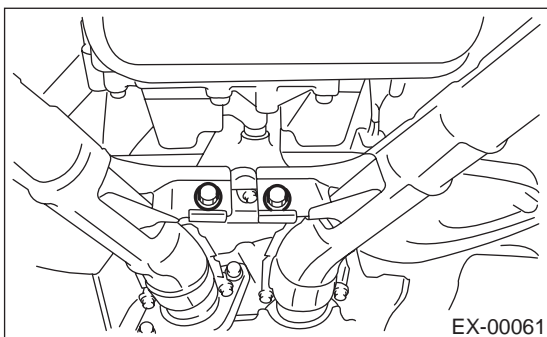
1) Install front catalytic converter (RH) to front exhaust pipe.

Tightening torque:

30 N-m (3.1 kgf-m, 22.4 ft-lb)



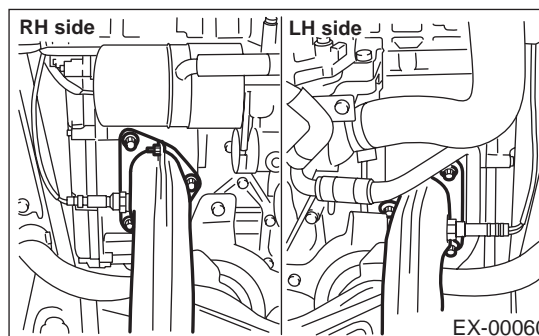
2) Install front exhaust pipe assembly to the vehicle. And temporarily tighten bolt which installs front exhaust pipe to hanger bracket.



3) Tighten nuts which hold front exhaust pipe onto cylinder heads.

Tightening torque:

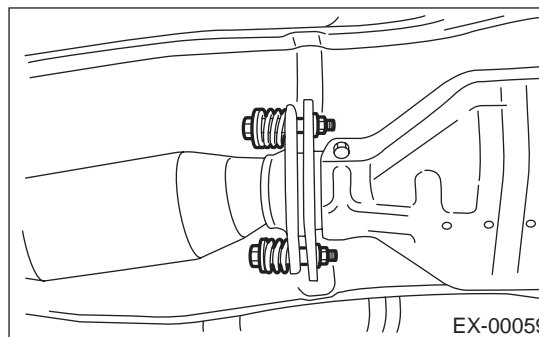
30 N-m (3.1 kgf-m, 22.4 ft-lb)



4) Tighten bolts which secure front exhaust pipe assembly to rear exhaust pipe.

Tightening torque:

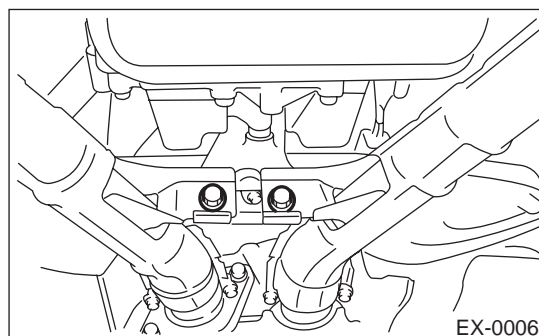
18 N-m (1.8 kgf-m, 13.0 ft-lb)



5) Tighten bolt which holds front exhaust pipes to hanger bracket.

Tightening torque:

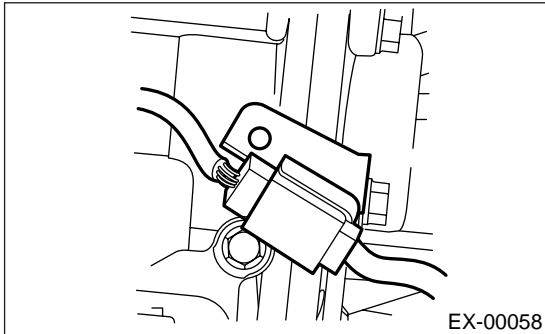
35 N-m (3.6 kgf-m, 26.0 ft-lb)



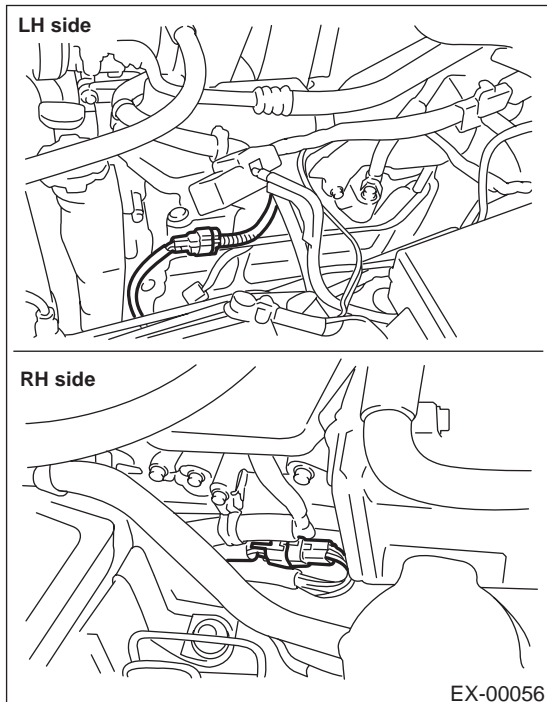
FRONT CATALYTIC CONVERTER

EMISSION CONTROL (AUX. EMISSION CONTROL DEVICES)

- 6) Connect connector to rear oxygen sensor connector.



- 7) Install front oxygen (A/F) sensor harness to the clips attached to the cylinder head covers.
8) Install under cover.
9) Lower the vehicle.
10) Connect front oxygen (A/F) sensor connector.



- 11) Install air cleaner case and air intake duct.
<Ref. to IN(H6DO)-5, INSTALLATION, Air Cleaner.> and <Ref. to IN(H6DO)-7, INSTALLATION, Air Intake Duct.>
12) Install battery.

C: INSPECTION

- 1) Make sure there are no exhaust leaks from connections and welds.
2) Make sure there are no holes or rusting.