

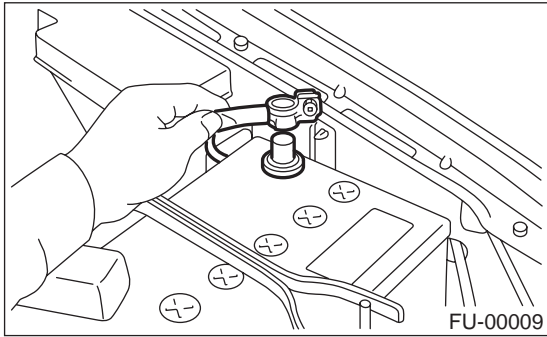
## FUEL TANK PRESSURE SENSOR

EMISSION CONTROL (AUX. EMISSION CONTROL DEVICES)

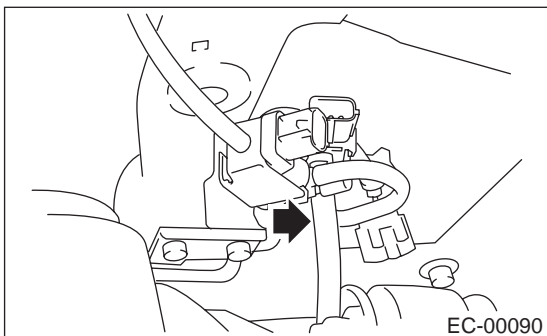
### 9. Fuel Tank Pressure Sensor

#### A: REMOVAL

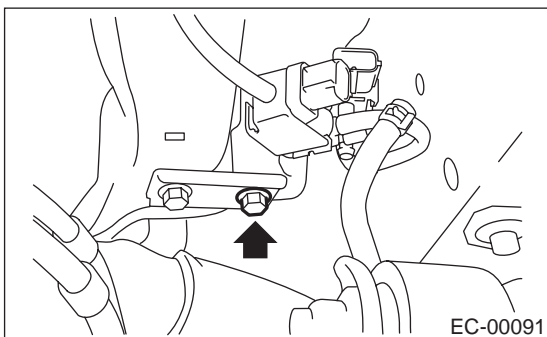
- 1) Set the vehicle on the lift.
- 2) Open fuel flap lid, and remove fuel filler cap.
- 3) Disconnect battery ground cable.



- 4) Lift-up the vehicle.
- 5) Disconnect connector from fuel tank pressure sensor and atmospheric pressure solenoid valve.
- 6) Disconnect pressure hose from fuel tank pressure sensor.



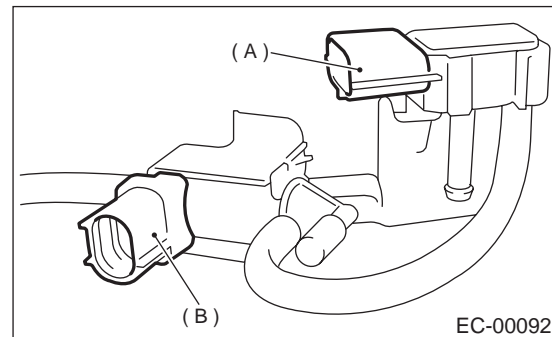
- 7) Remove fuel tank pressure sensor and atmospheric pressure solenoid valve with bracket.



- 8) Remove atmospheric pressure solenoid valve from bracket.

#### NOTE:

Fuel tank pressure sensor cannot be removed because it is integral with bracket.



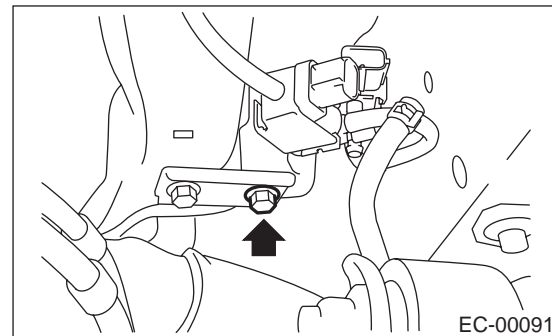
- (A) Fuel tank pressure sensor  
(B) Atmospheric pressure solenoid valve

#### B: INSTALLATION

Install in the reverse order of removal.

#### Tightening torque:

**7.4 N·m (0.75 kgf-m, 5.4 ft-lb)**



#### C: INSPECTION

Make sure that hoses are not cracked or loose.