

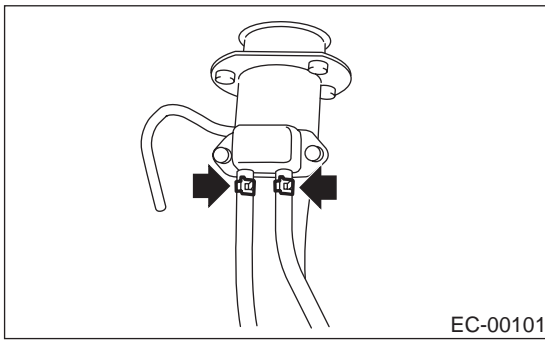
SHUT VALVE

EMISSION CONTROL (AUX. EMISSION CONTROL DEVICES)

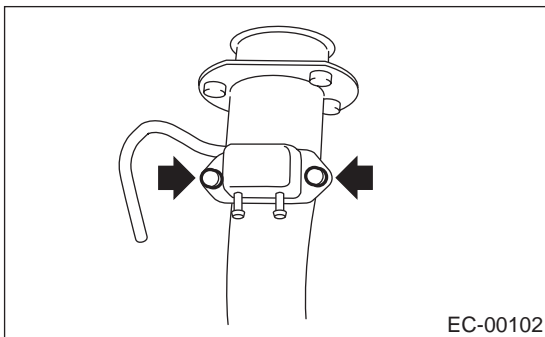
14. Shut Valve

A: REMOVAL

- 1) Drain fuel from fuel tank. <Ref. to FU(H6DO)-53, REMOVAL, Fuel Tank.>
- 2) Remove fuel filler pipe. <Ref. to FU(H6DO)-61, REMOVAL, Fuel Filler Pipe.>
- 3) Disconnect evaporation hoses from shut valve.



- 4) Remove shut valve from fuel filler pipe.

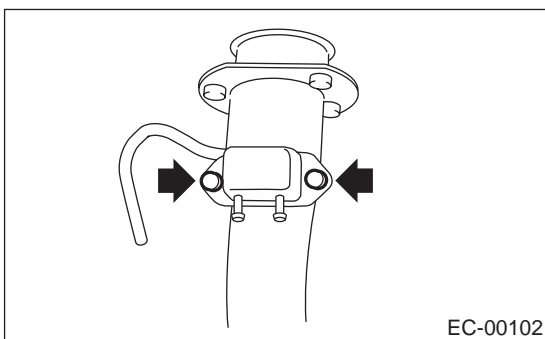


B: INSTALLATION

Install in the reverse order of removal.

Tightening torque:

4.4 N·m (0.45 kgf-m, 3.3 ft-lb)



C: INSPECTION

Make sure that hoses are not cracked or loose.