

## ELECTRICAL COMPONENTS LOCATION

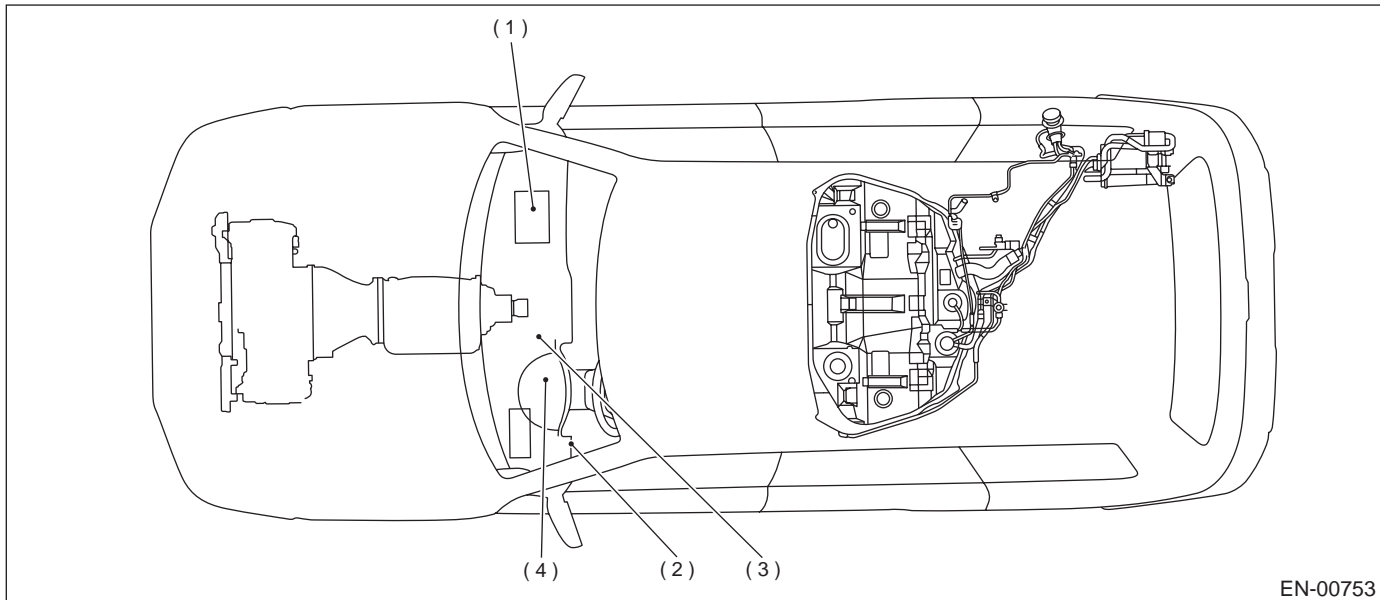
ENGINE (DIAGNOSTICS)

### 4. Electrical Components Location

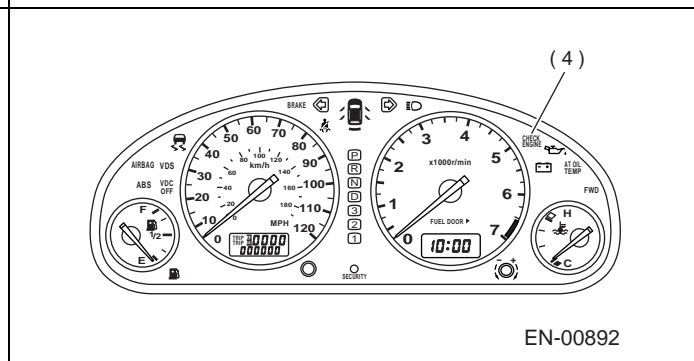
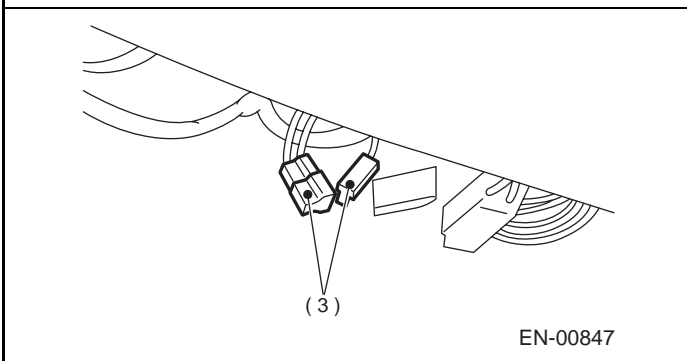
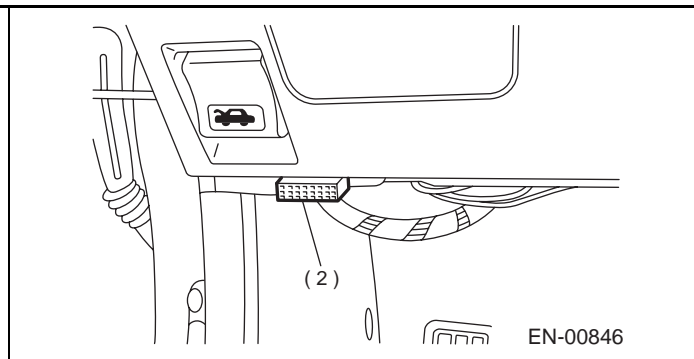
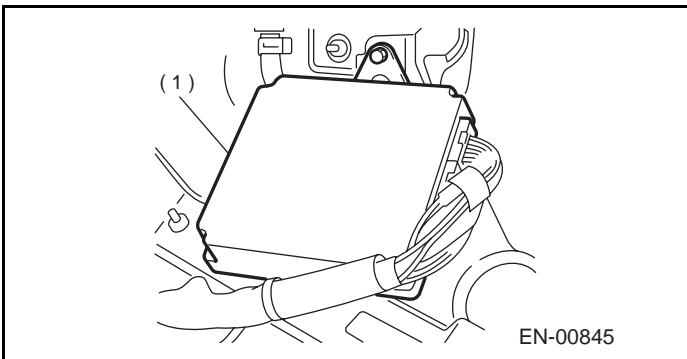
#### A: LOCATION

##### 1. ENGINE

##### • MODULE



- |  |   |
|--|---|
| (1) Engine control module (ECM)  | (3) Test mode connector                           |
| (2) Data link connector (for Subaru Select Monitor and OBD-II general scan tool) | (4) CHECK ENGINE malfunction indicator lamp (MIL) |



## ELECTRICAL COMPONENTS LOCATION

ENGINE (DIAGNOSTICS)

---

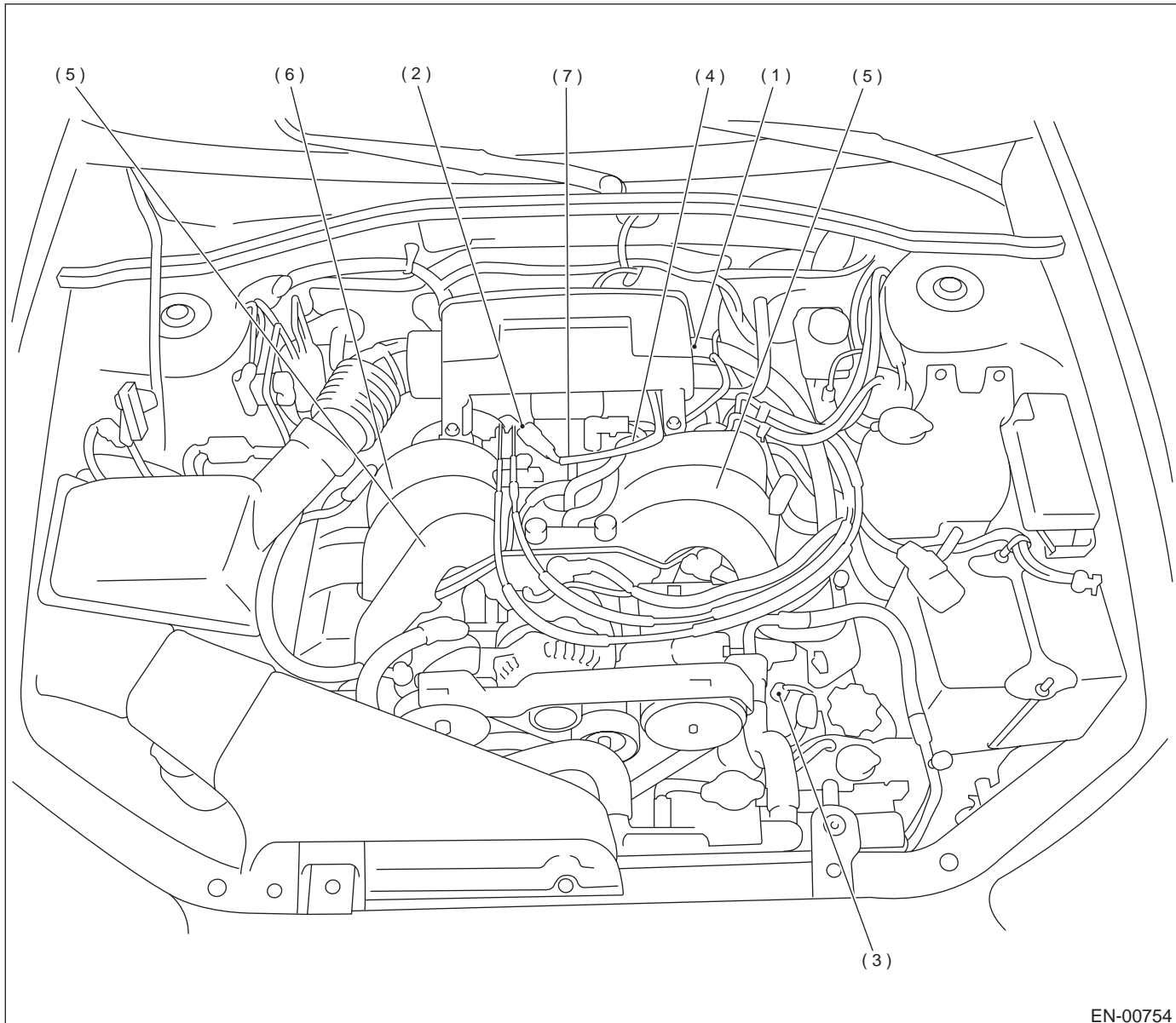
MEMO:

EN(H6DO)-11

## ELECTRICAL COMPONENTS LOCATION

ENGINE (DIAGNOSTICS)

### • SENSOR



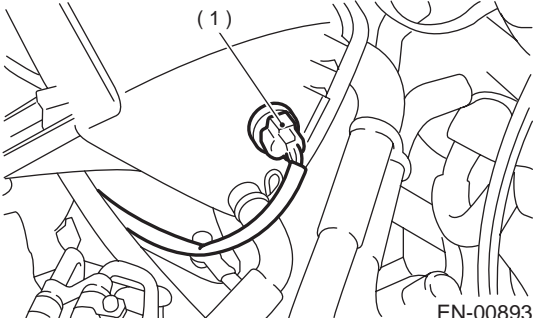
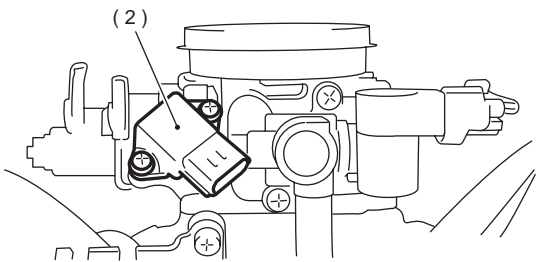
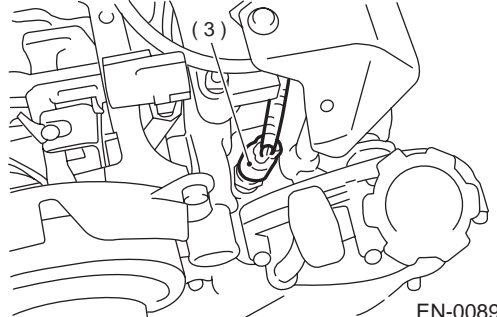
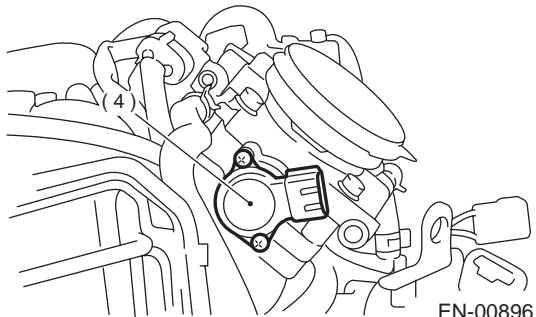
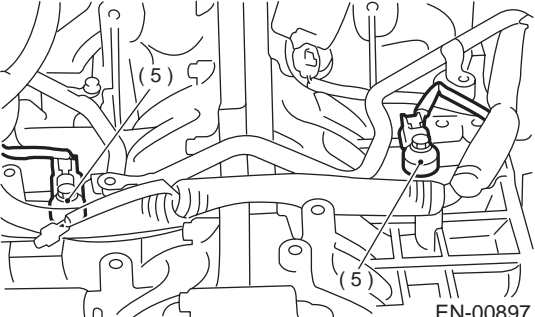
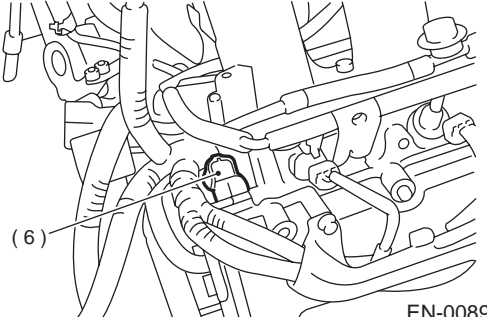

EN-00754

- |                                       |                                |
|---------------------------------------|--------------------------------|
| (1) Intake air temperature sensor     | (4) Throttle position sensor   |
| (2) Intake manifold pressure sensor   | (5) Knock sensor               |
| (3) Engine coolant temperature sensor | (6) Camshaft position sensor   |
|                                       | (7) Crankshaft position sensor |

EN(H6DO)-12

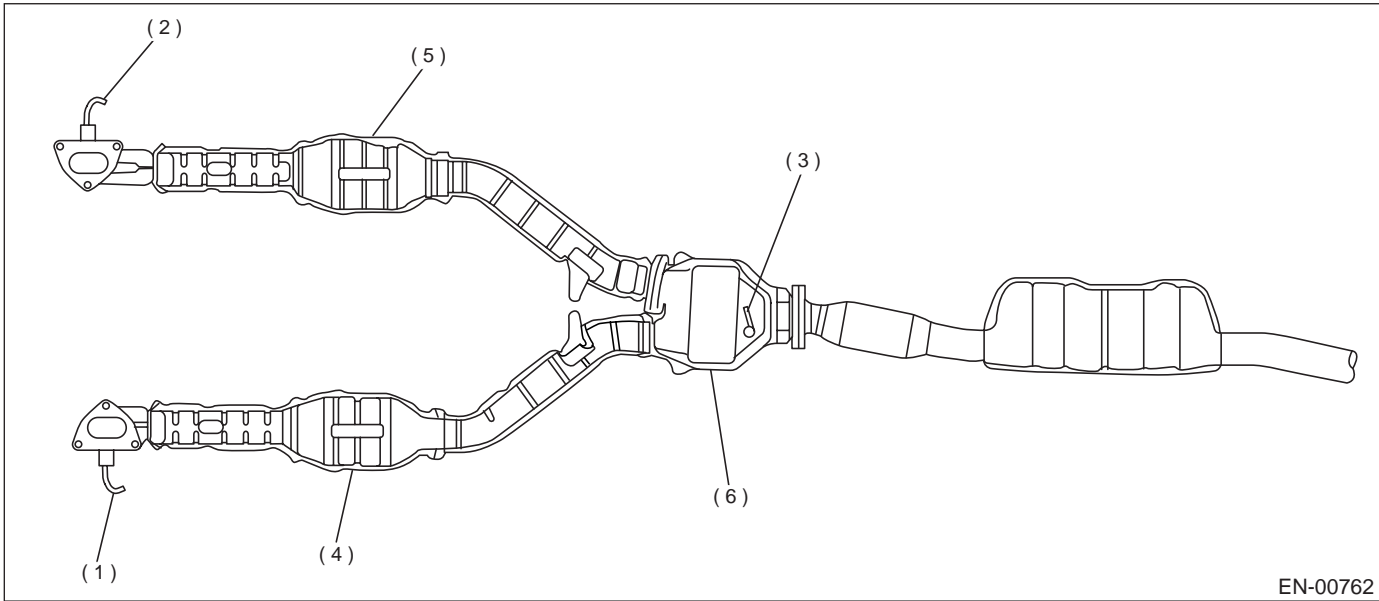
# ELECTRICAL COMPONENTS LOCATION

ENGINE (DIAGNOSTICS)

 <p>EN-00893</p>	 <p>EN-00894</p>
 <p>EN-00895</p>	 <p>EN-00896</p>
 <p>EN-00897</p>	 <p>EN-00898</p>
 <p>EN-00899</p>	<p>SUBARU.</p>

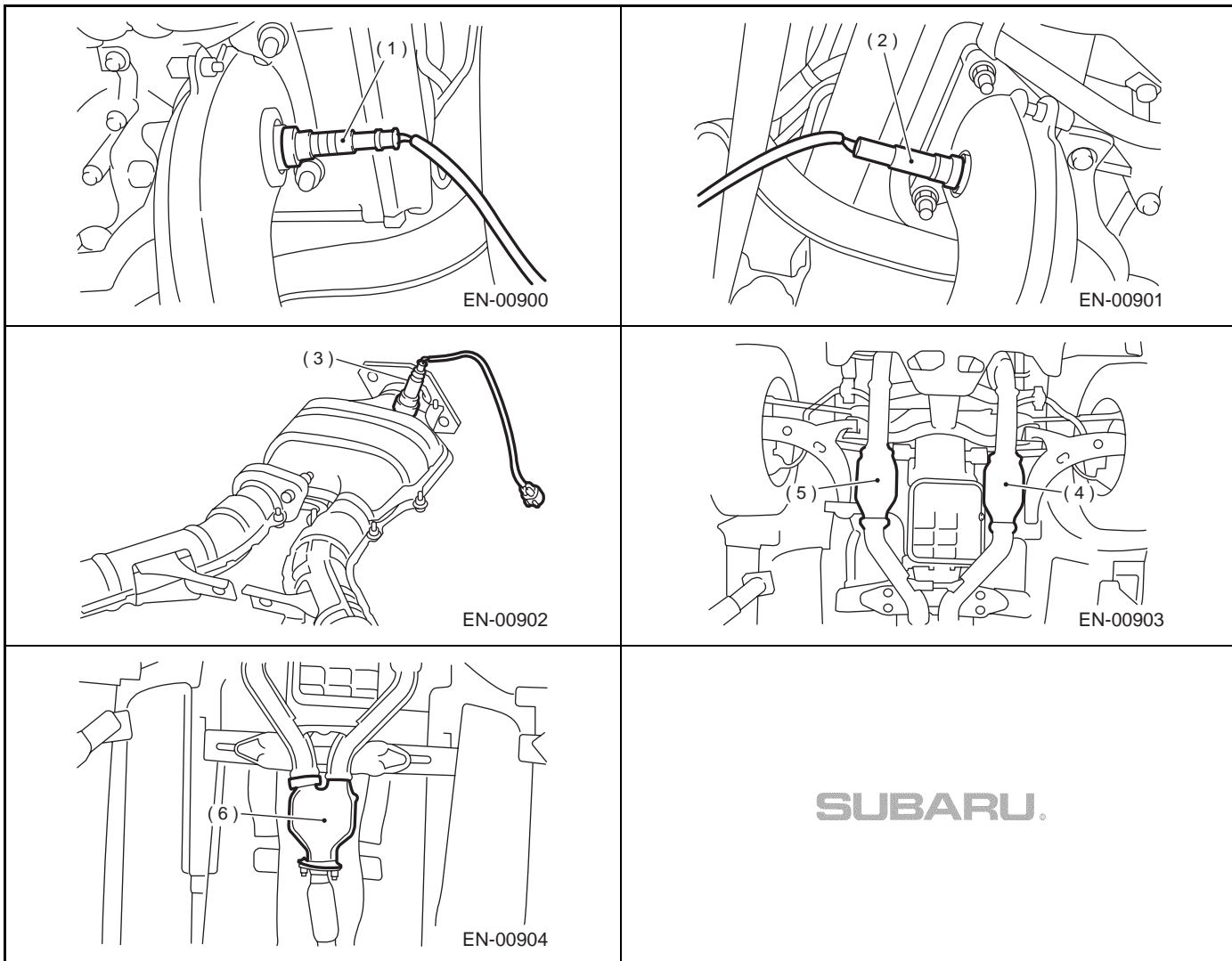
## ELECTRICAL COMPONENTS LOCATION

ENGINE (DIAGNOSTICS)



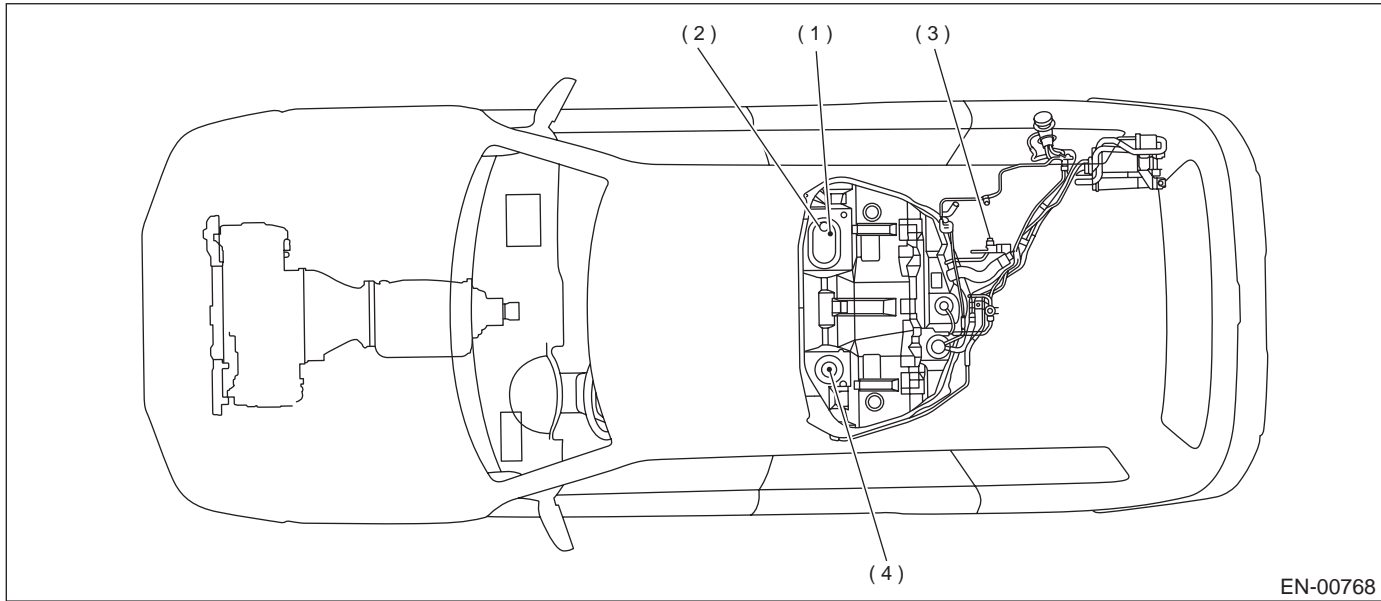
EN-00762

- |                                    |                                    |                                    |
|------------------------------------|------------------------------------|------------------------------------|
| (1) Front oxygen (A/F) sensor (LH) | (3) Rear oxygen sensor             | (5) Front catalytic converter (RH) |
| (2) Front oxygen (A/F) sensor (RH) | (4) Front catalytic converter (LH) | (6) Rear catalytic converter       |

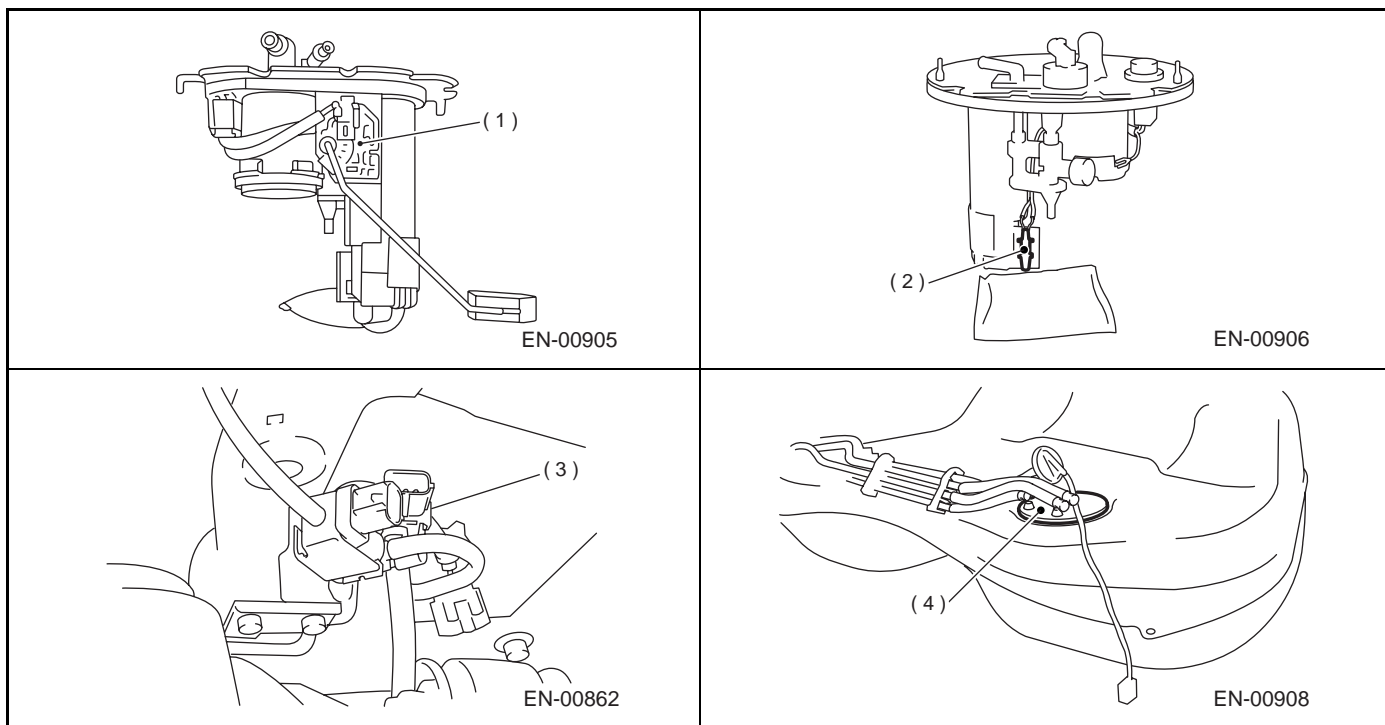


# ELECTRICAL COMPONENTS LOCATION

ENGINE (DIAGNOSTICS)



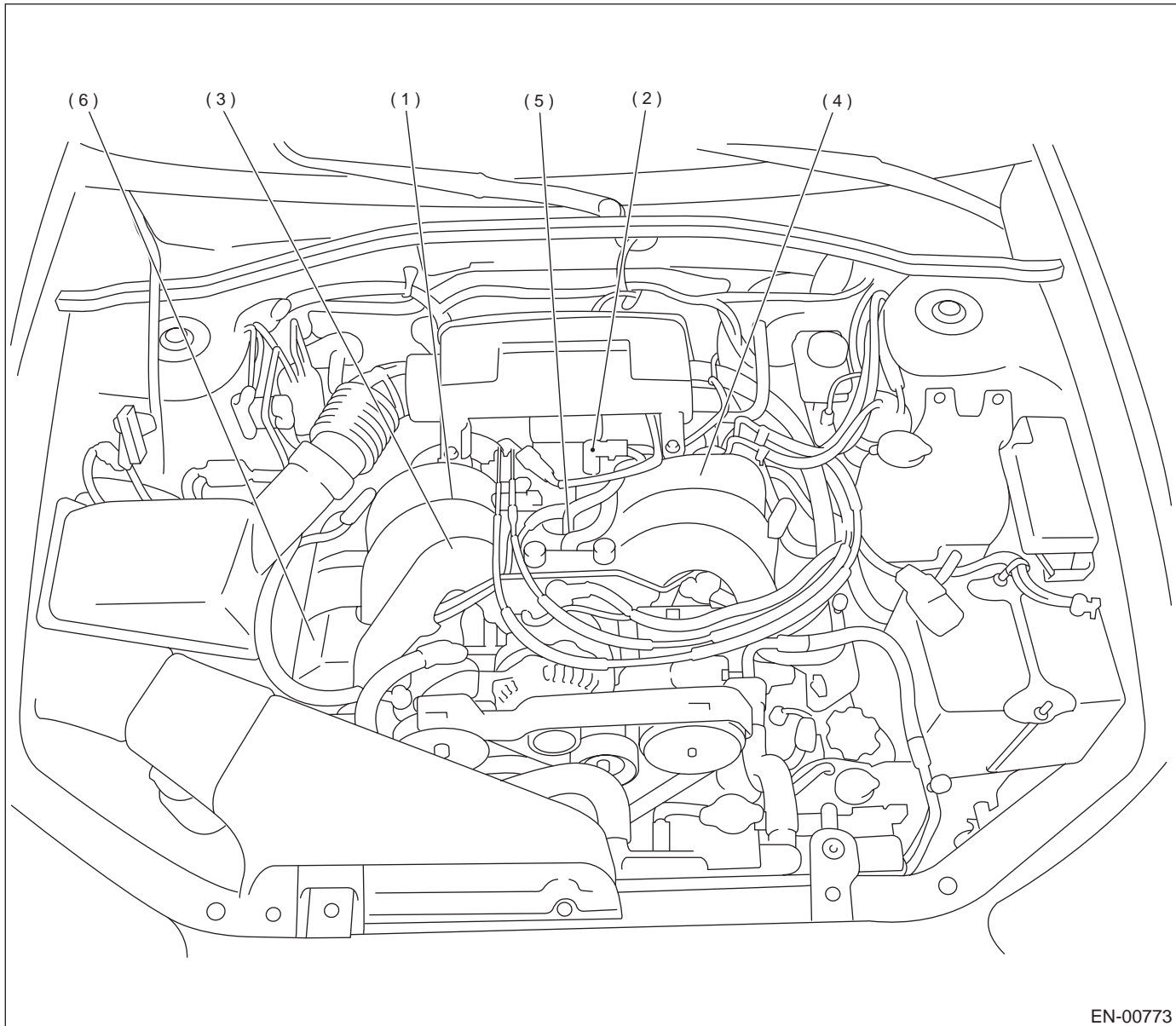
- (1) Fuel level sensor
- (2) Fuel temperature sensor
- (3) Fuel tank pressure sensor
- (4) Fuel sub level sensor



## ELECTRICAL COMPONENTS LOCATION

ENGINE (DIAGNOSTICS)

### • SOLENOID VALVE, EMISSION CONTROL SYSTEM PARTS AND IGNITION SYSTEM PARTS



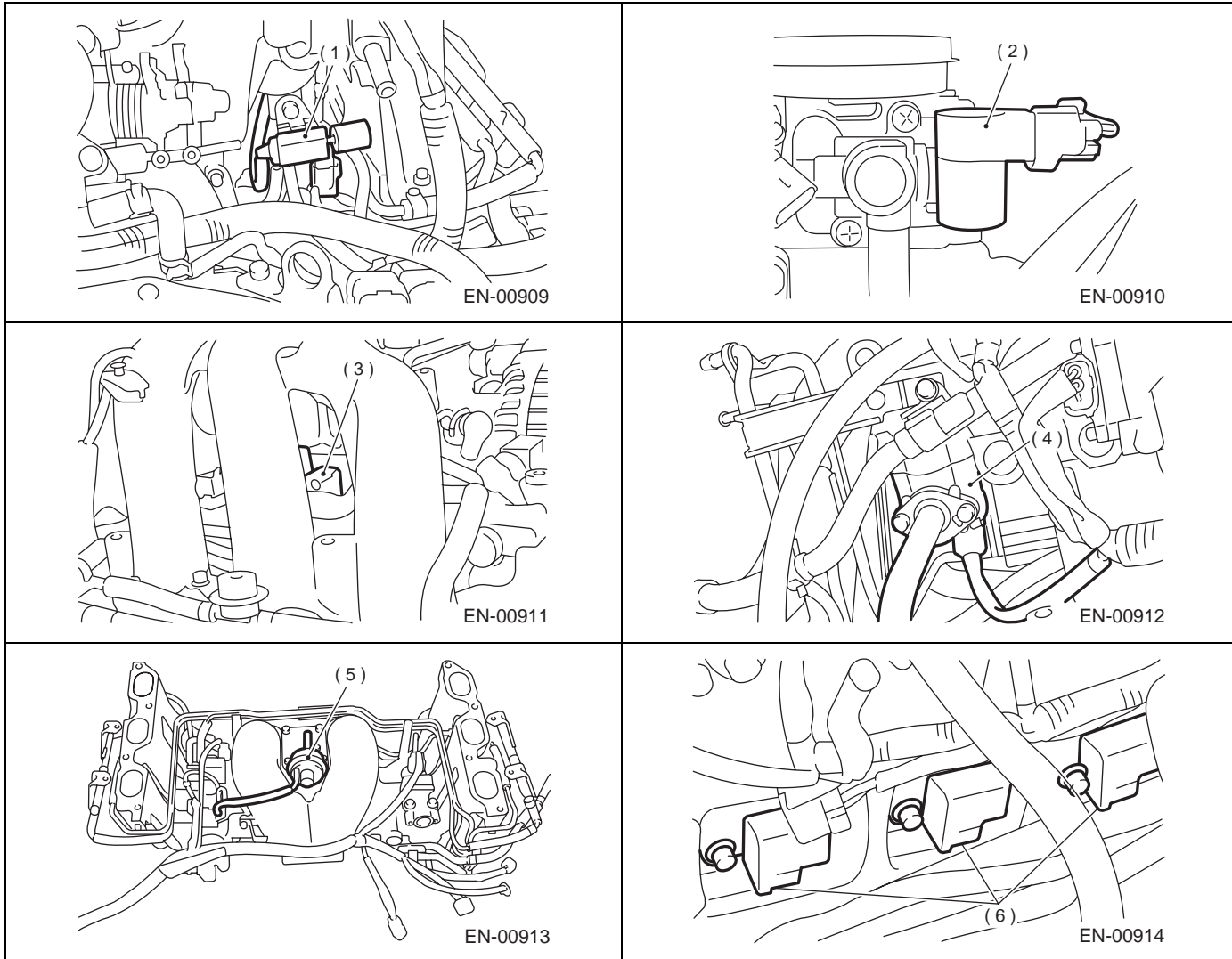
(1) Induction control solenoid valve  
(2) Idle air control solenoid valve

(3) Purge control solenoid valve  
(4) EGR solenoid valve

(5) Induction control valve  
(6) Ignition coil & ignitor ASSY

# ELECTRICAL COMPONENTS LOCATION

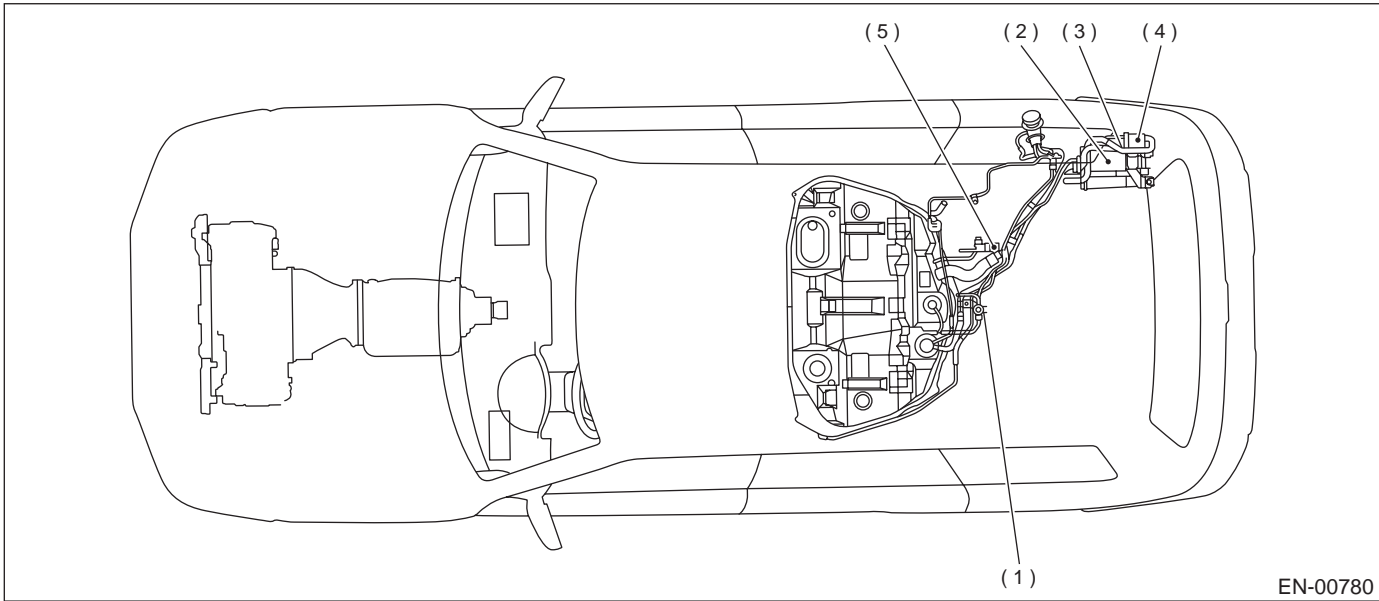
ENGINE (DIAGNOSTICS)



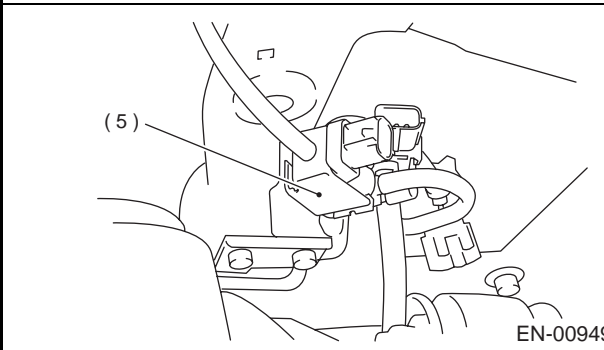
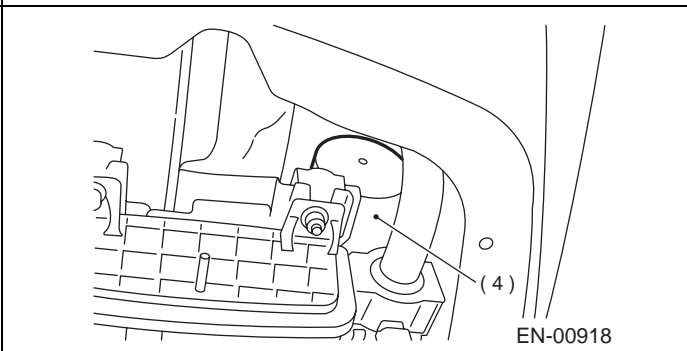
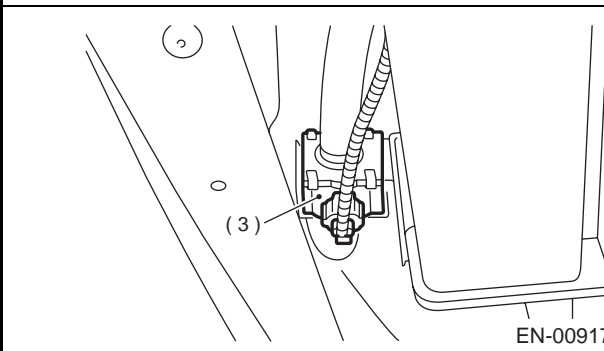
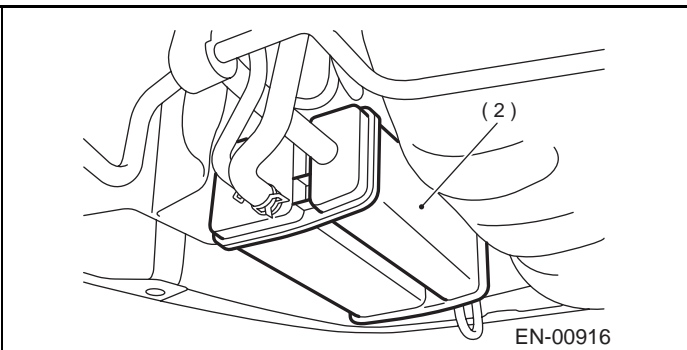
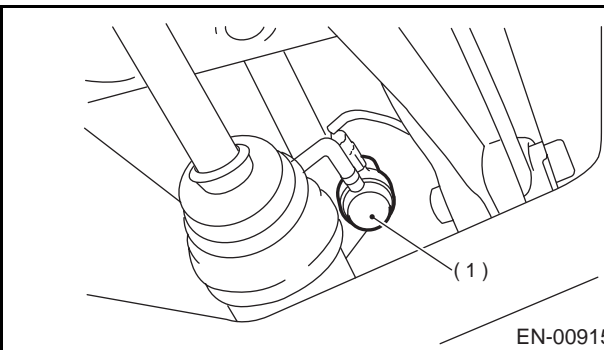


## ELECTRICAL COMPONENTS LOCATION

ENGINE (DIAGNOSTICS)



- |                                     |                  |                                    |
|-------------------------------------|------------------|------------------------------------|
| (1) Pressure control solenoid valve | (3) Drain valve  | (5) Fuel tank sensor control valve |
| (2) Canister                        | (4) Drain filter |                                    |



## ELECTRICAL COMPONENTS LOCATION

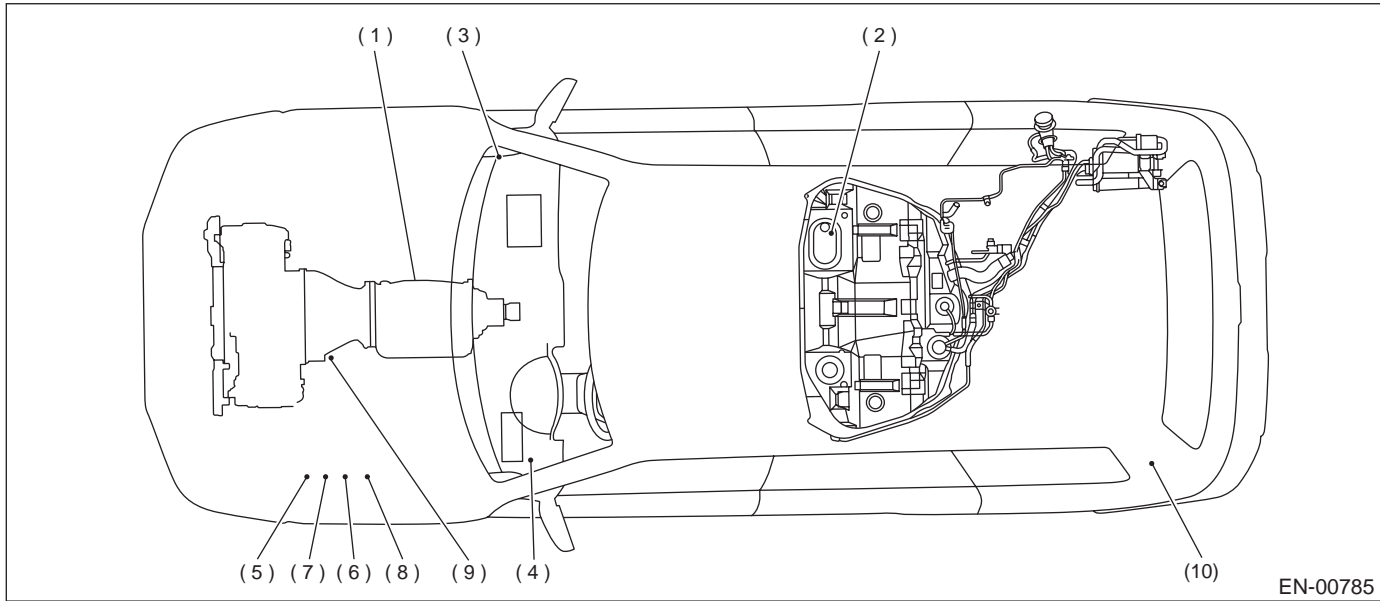
ENGINE (DIAGNOSTICS)

---

MEMO:

## ELECTRICAL COMPONENTS LOCATION

ENGINE (DIAGNOSTICS)



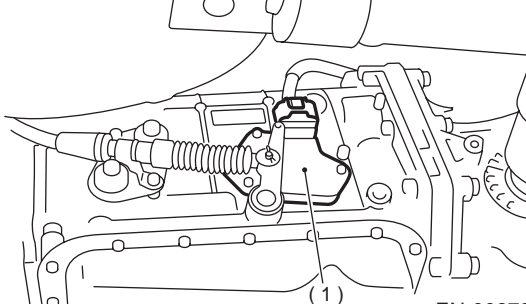
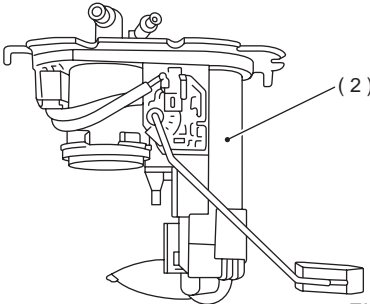
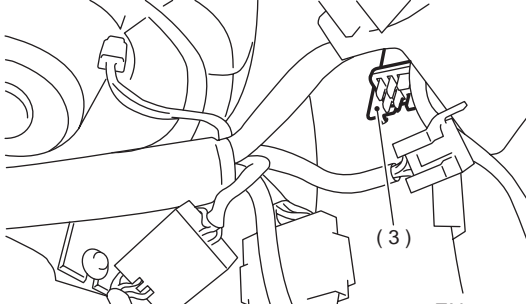
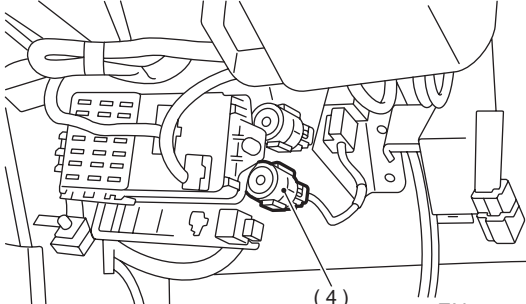
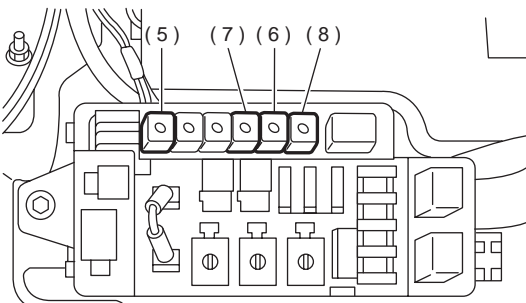
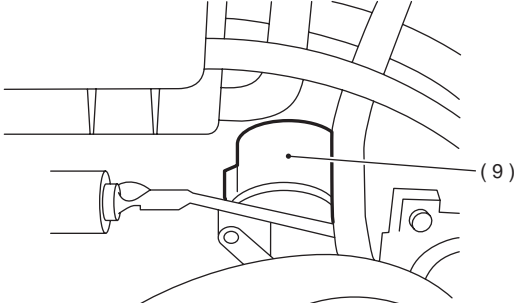
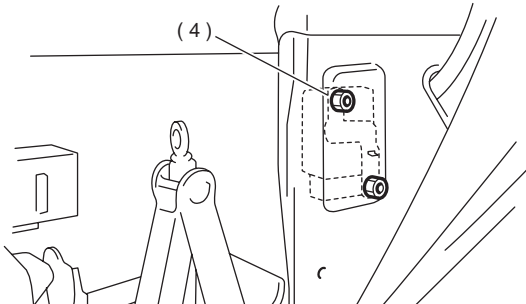
- (1) Inhibitor switch
- (2) Fuel pump
- (3) Main relay

- (4) Fuel pump relay
- (5) Radiator main fan relay-1
- (6) Radiator sub fan relay-1

- (7) Radiator main fan relay-2
- (8) Radiator sub fan relay-2
- (9) Starter
- (10) Fuel pump controller

# ELECTRICAL COMPONENTS LOCATION

ENGINE (DIAGNOSTICS)

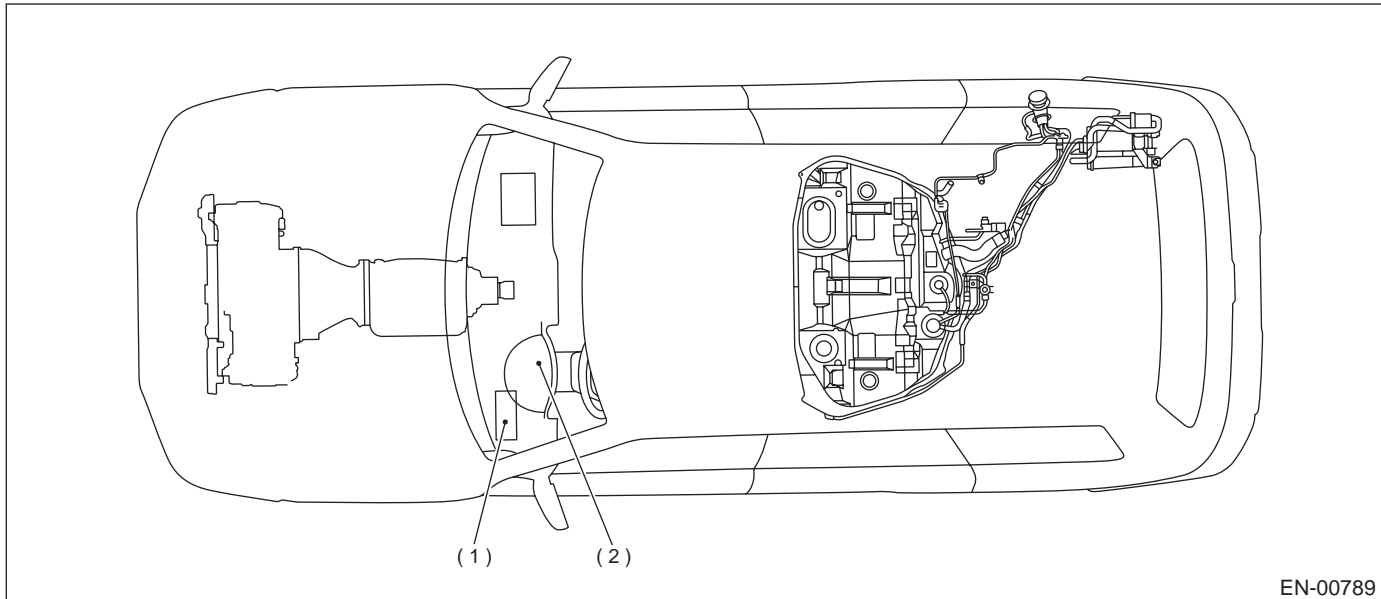
 <p>EN-00873</p>	 <p>EN-00874</p>
 <p>EN-00875</p>	 <p>EN-00876</p>
 <p>EN-00919</p>	 <p>EN-00920</p>
 <p>EN-00921</p>	<p><b>SUBARU</b></p>

## ELECTRICAL COMPONENTS LOCATION

ENGINE (DIAGNOSTICS)

### 2. TRANSMISSION

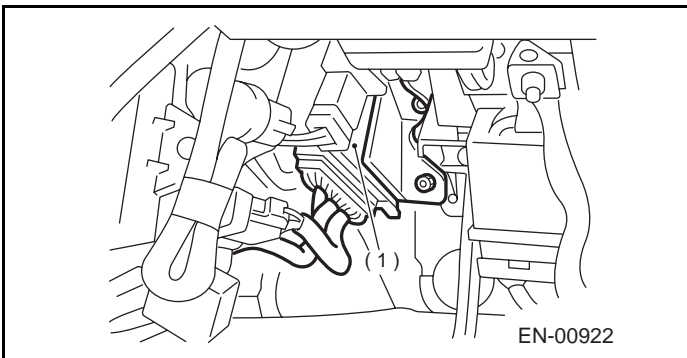
#### • MODULE



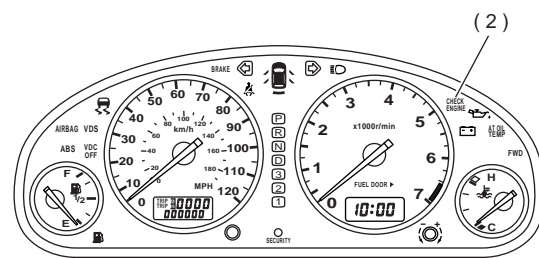
EN-00789

(1) Transmission Control Module (TCM)

(2) AT diagnostic indicator light



EN-00922

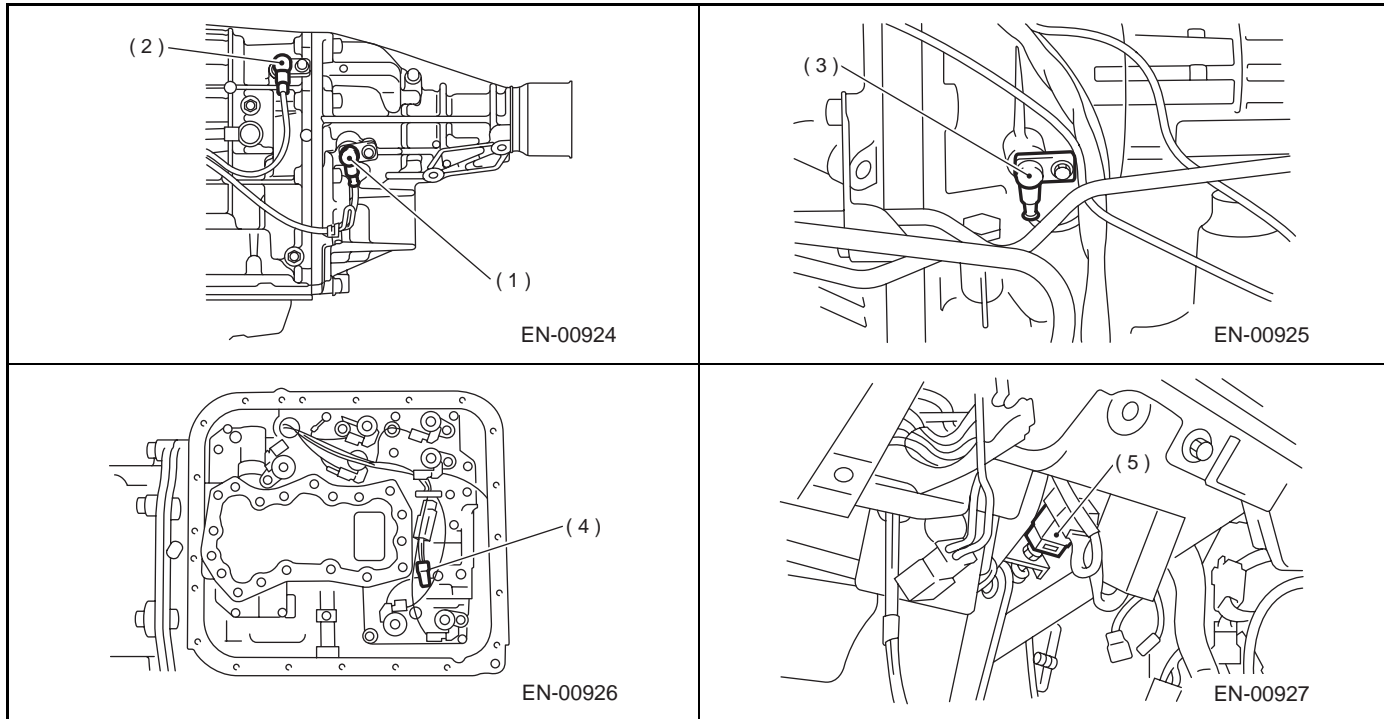


EN-00923

## ELECTRICAL COMPONENTS LOCATION

ENGINE (DIAGNOSTICS)

### • SENSOR

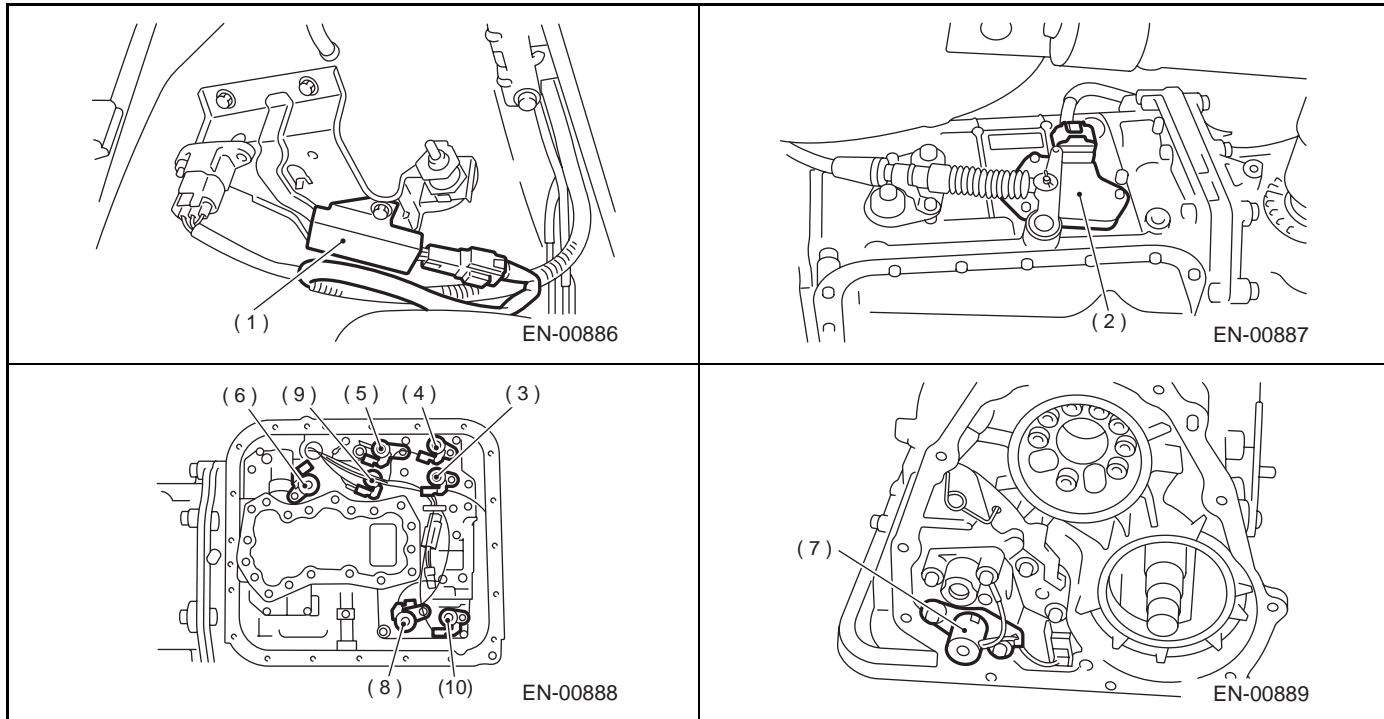


- (1) Rear vehicle speed sensor
- (2) Front vehicle speed sensor
- (3) Torque converter turbine speed sensor
- (4) ATF temperature sensor
- (5) Brake light switch

## ELECTRICAL COMPONENTS LOCATION

ENGINE (DIAGNOSTICS)

### • SOLENOID VALVE AND SWITCH



- (1) Dropping resistor
- (2) Inhibitor switch
- (3) Shift solenoid valve 1
- (4) Shift solenoid valve 2
- (5) Line pressure duty solenoid
- (6) Lock-up duty solenoid
- (7) Transfer duty solenoid
- (8) 2-4 brake duty solenoid
- (9) Low clutch timing solenoid valve
- (10) 2-4 brake timing solenoid valve

## **ELECTRICAL COMPONENTS LOCATION**

ENGINE (DIAGNOSTICS)

---

**MEMO:**

**EN(H6DO)-25**