

## REAR EXHAUST PIPE

### EXHAUST

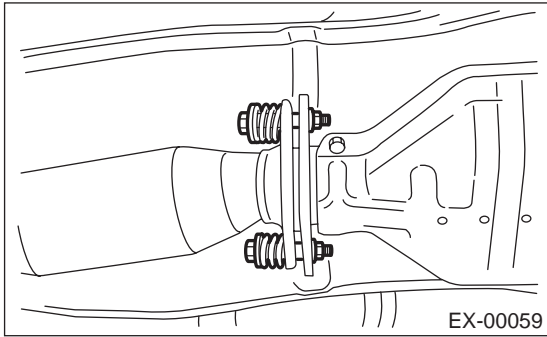
### 3. Rear Exhaust Pipe

#### A: REMOVAL

1) Separate rear exhaust pipe from front exhaust pipe.

#### CAUTION:

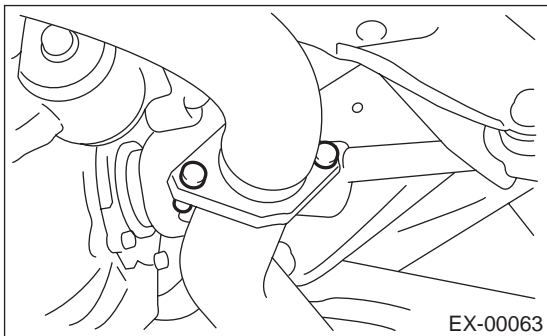
Be careful, exhaust pipe is hot.



2) Separate rear exhaust pipe from muffler.

#### CAUTION:

Be careful not to pull down rear exhaust pipe.



3) Remove rear exhaust pipe.

#### B: INSTALLATION

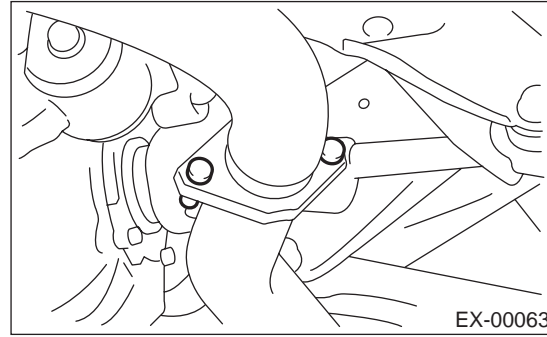
#### NOTE:

Replace gaskets and self-lock nut with new ones.

1) Install rear exhaust pipe to muffler.

#### Tightening torque:

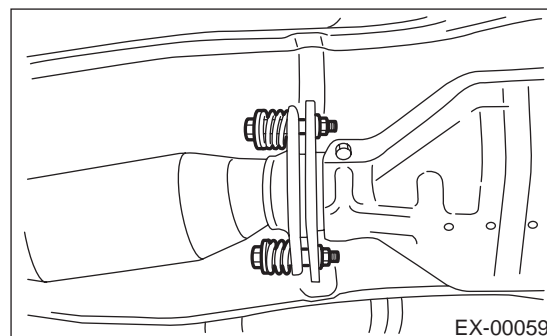
**48 N·m (4.9 kgf·m, 35.4 ft·lb)**



2) Install rear exhaust pipe to front exhaust pipe.

#### Tightening torque:

**18 N·m (1.8 kgf·m, 13.0 ft·lb)**



#### C: INSPECTION

1) Make sure there are no exhaust leaks from connections and welds.

2) Make sure there are no holes or rusting.

3) Make sure the cushion rubber is not worn or cracked.