

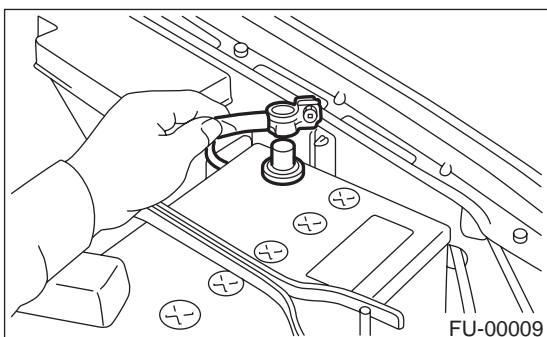
ENGINE COOLANT TEMPERATURE SENSOR

FUEL INJECTION (FUEL SYSTEMS)

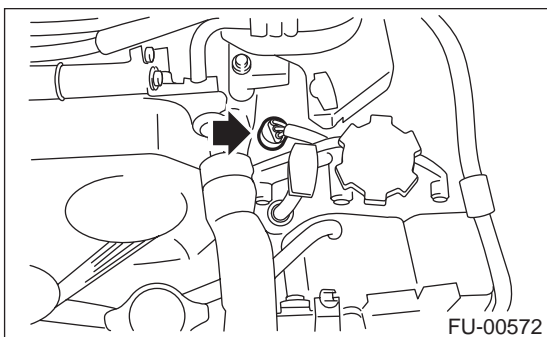
4. Engine Coolant Temperature Sensor

A: REMOVAL

- 1) Disconnect battery ground cable.



- 2) Disconnect connector from engine coolant temperature sensor.
- 3) Remove engine coolant temperature sensor.



B: INSTALLATION

Install in the reverse order of removal.

Tightening torque:

16 N·m (0.16 kgf·m, 1.2 ft·lb)

