

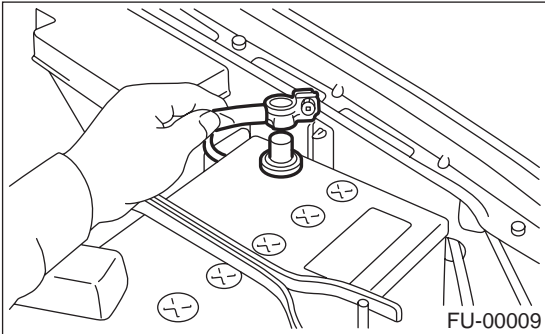
CAMSHAFT POSITION SENSOR

FUEL INJECTION (FUEL SYSTEMS)

6. Camshaft Position Sensor

A: REMOVAL

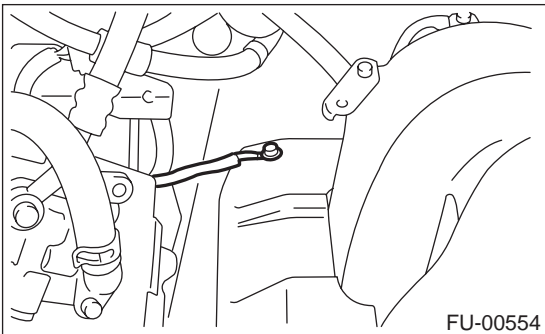
1) Disconnect battery ground cable.



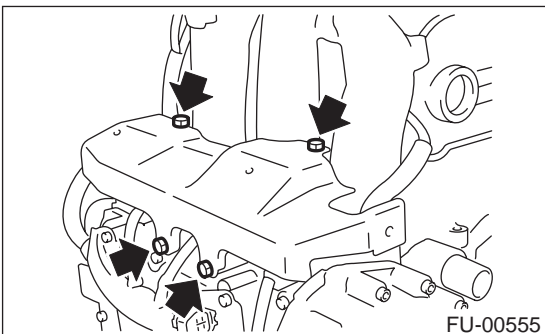
2) Remove air cleaner.

<Ref. to IN(H6DO)-5, REMOVAL, Air Cleaner.>

3) Remove ground cable from fuel pipe protector RH.

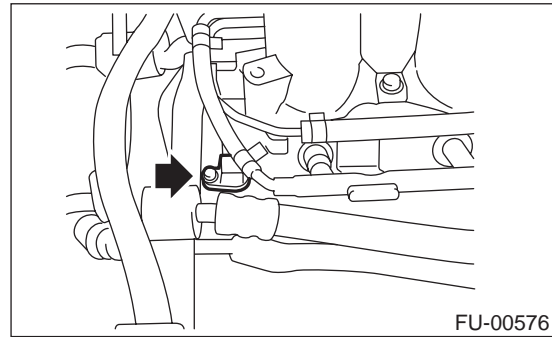


4) Remove fuel pipe protector RH.



5) Disconnect connector from camshaft position sensor.

6) Remove camshaft position sensor.



B: INSTALLATION

Install in the reverse order of removal.

Tightening torque:

- **Camshaft position sensor;**
6.4 N·m (0.65 kgf-m, 4.7 ft-lb)
- **Fuel pipe protector RH;**
19 N·m (1.9 kgf-m, 14 ft-lb)