

## INTAKE MANIFOLD PRESSURE SENSOR

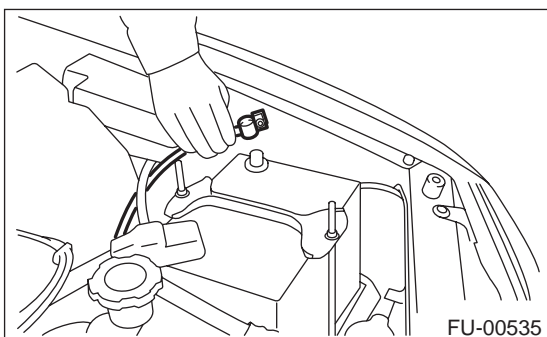
FUEL INJECTION (FUEL SYSTEMS)

---

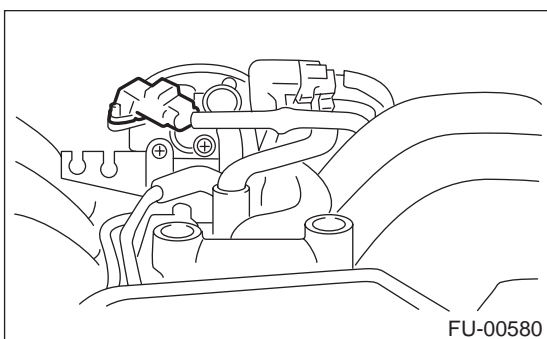
### 9. Intake Manifold Pressure Sensor

#### A: REMOVAL

- 1) Disconnect battery ground cable.



- 2) Disconnect connector from intake manifold pressure sensor.
- 3) Remove intake manifold pressure sensor from throttle body.



#### B: INSTALLATION

Install in the reverse order of removal.

NOTE:

Replace gasket with new one.

**Tightening torque:**

**1.6 N·m (0.16 kgf-m, 1.2 ft-lb)**

