

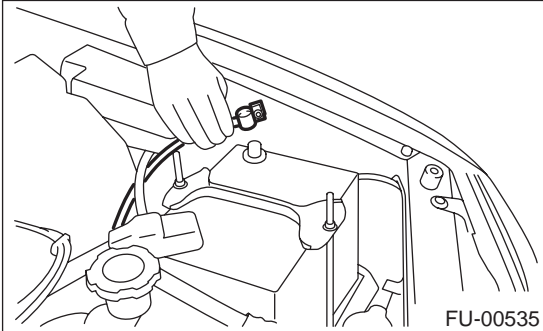
INTAKE AIR TEMPERATURE SENSOR

FUEL INJECTION (FUEL SYSTEMS)

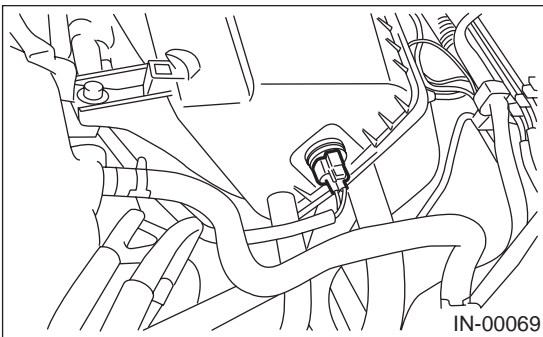
10. Intake Air Temperature Sensor

A: REMOVAL

- 1) Disconnect battery ground cable.



- 2) Disconnect connector from intake air temperature sensor.
- 3) Remove intake air temperature sensor from air intake chamber.



B: INSTALLATION

Install in the reverse order of removal.