

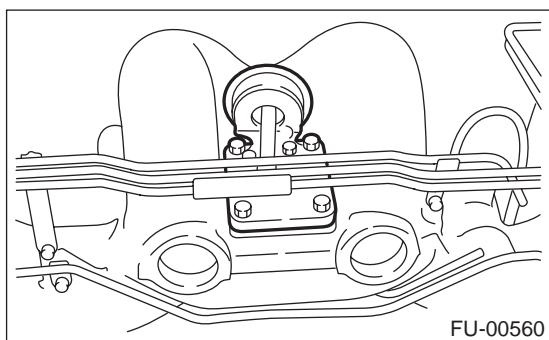
## INDUCTION VALVE

FUEL INJECTION (FUEL SYSTEMS)

### 12. Induction Valve

#### A: REMOVAL

- 1) Disconnect battery ground cable.
- 2) Remove intake manifold.  
<Ref. to FU(H6DO)-17, REMOVAL, Intake Manifold.>
- 3) Remove induction valve from intake manifold.



#### B: INSTALLATION

Install in the reverse order of removal.

NOTE:

Always use a new gasket.

**Tightening torque:**

**19 N·m (1.9 kgf-m, 14 ft-lb)**