

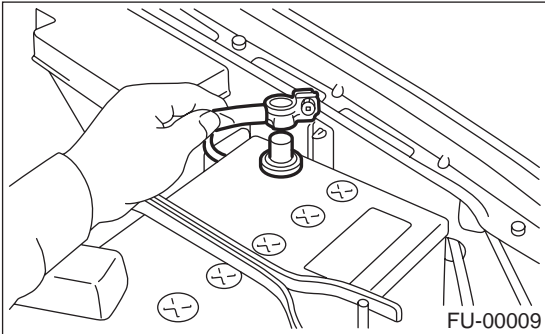
## ENGINE CONTROL MODULE

FUEL INJECTION (FUEL SYSTEMS)

### 17.Engine Control Module

#### A: REMOVAL

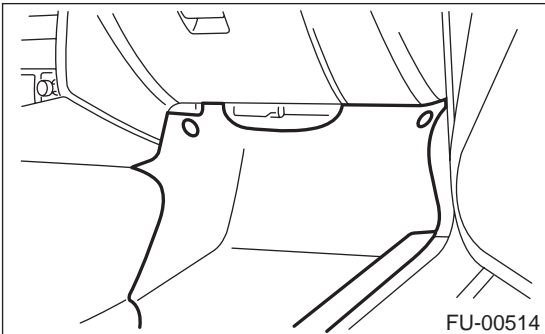
1) Disconnect battery ground cable.



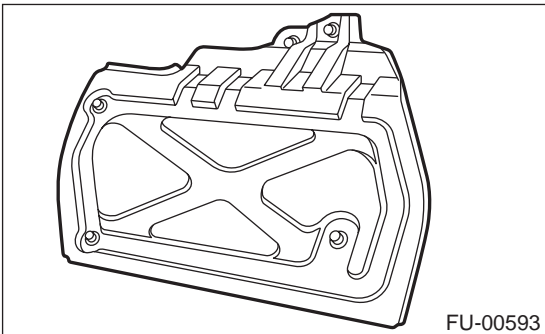
2) Remove lower inner trim of passenger side.

<Ref. to EI-42, REMOVAL, Lower Inner Trim.>

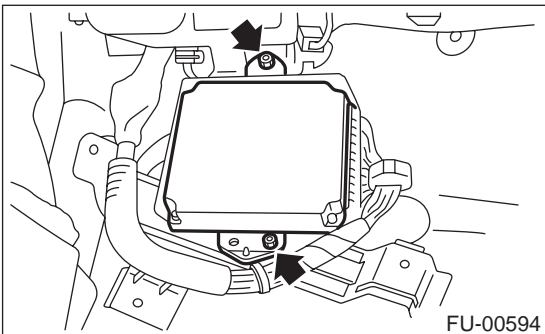
3) Detach floor mat of front passenger seat.



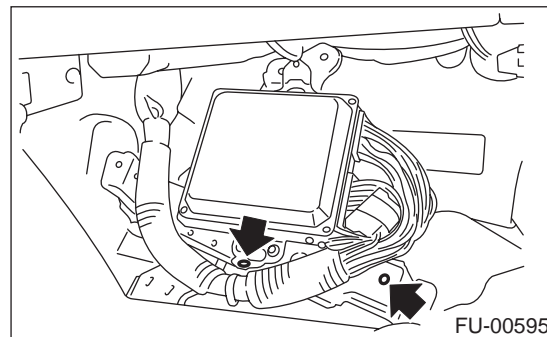
4) Remove protect cover.



5) Remove nuts which hold ECM to bracket.



6) Remove clip from bracket.



7) Disconnect ECM connectors and take out ECM.

#### B: INSTALLATION

Install in the reverse order of removal.

#### CAUTION:

When replacing ECM, be careful not to use the wrong spec. ECM to avoid any damage to the fuel injection system.