

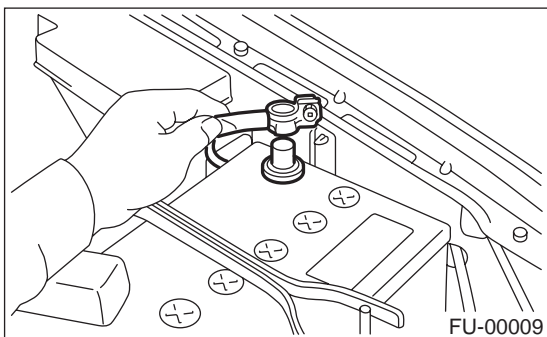
FUEL PUMP RELAY

FUEL INJECTION (FUEL SYSTEMS)

19. Fuel Pump Relay

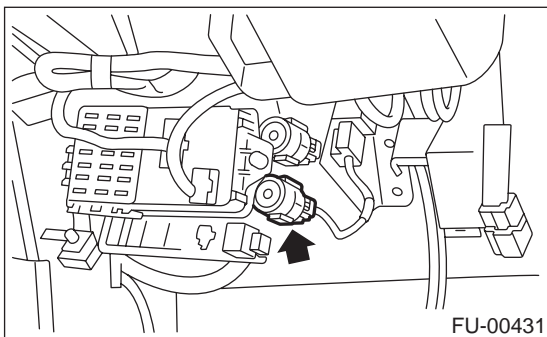
A: REMOVAL

1) Disconnect battery ground cable.



2) Remove lower cover. <Ref. to EI-37, REMOVAL, Instrument Panel Assembly.>

3) Disconnect connector from fuel pump relay.



4) Remove fuel pump relay from mounting bracket.

B: INSTALLATION

Install in the reverse order of removal.