

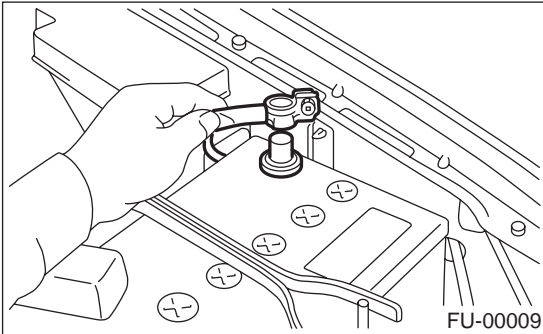
FUEL PUMP CONTROLLER

FUEL INJECTION (FUEL SYSTEMS)

20. Fuel Pump Controller

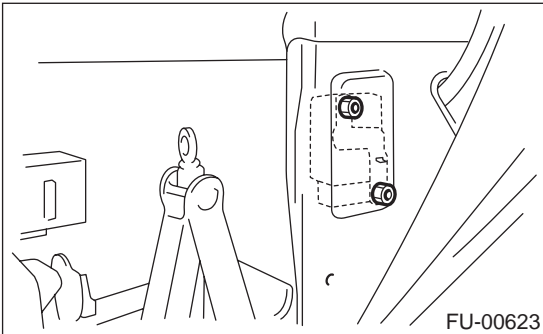
A: REMOVAL

- 1) Disconnect battery ground cable.



- 2) Remove rear quarter Trim. <Ref. to EI-43, REMOVAL, Rear Quarter Trim.>

- 3) Disconnect connector from fuel pump control unit.



- 4) Remove fuel pump control unit.

B: INSTALLATION

Install in the reverse order of removal.