

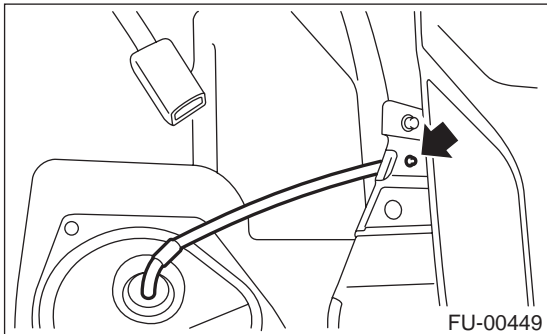
## FUEL TANK

FUEL INJECTION (FUEL SYSTEMS)

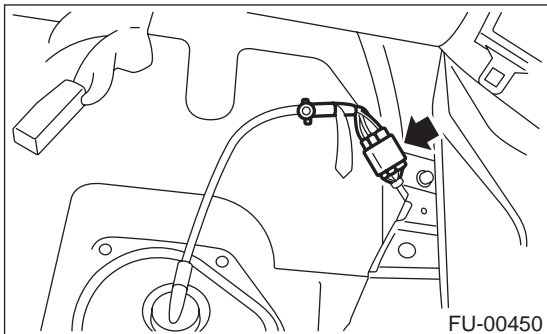
### 22. Fuel Tank

#### A: REMOVAL

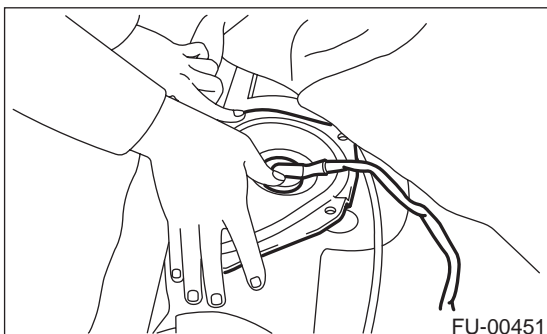
- 1) Set vehicle on the lift.
- 2) Release fuel pressure. <Ref. to FU(H6DO)-50, RELEASING OF FUEL PRESSURE, OPERATION, Fuel.>
- 3) Drain fuel from fuel tank. <Ref. to FU(H6DO)-50, DRAINING FUEL, OPERATION, Fuel.>
- 4) Remove holder clip which secures fuel tank cord on bracket.



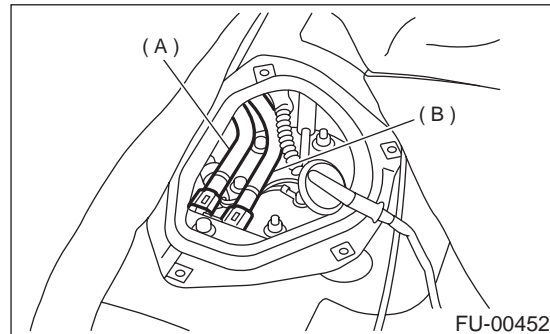
- 5) Disconnect connector of fuel tank cord to rear harness.



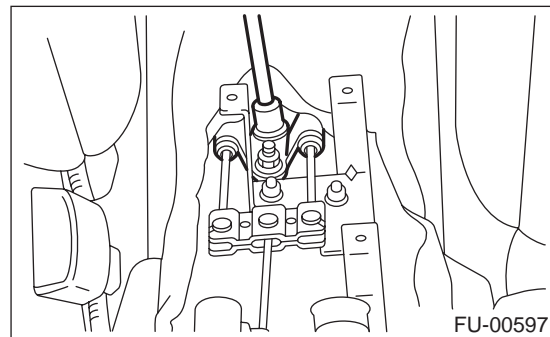
- 6) Push grommet which holds fuel tank cord on service hole cover into body side.



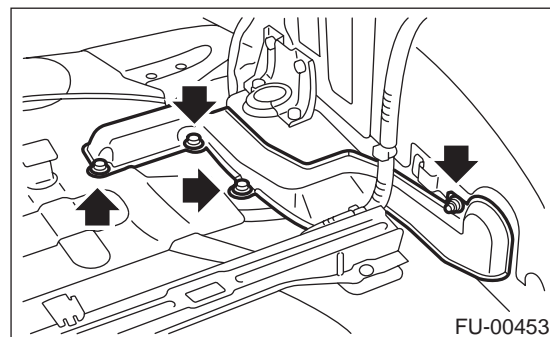
- 7) Separate quick connector of fuel delivery (A) and return hose (B). <Ref. to FU(H6DO)-78, REMOVAL, Fuel Delivery, Return and Evaporation Lines.>



- 8) Remove parking brake cable.
  - (1) Remove console box. <Ref. to EI-36, REMOVAL, Console Box.>
  - (2) Remove parking brake bracket and disconnect parking brake cable from equalizer. <Ref. to PB-6, REMOVAL, Parking Brake Cable.>



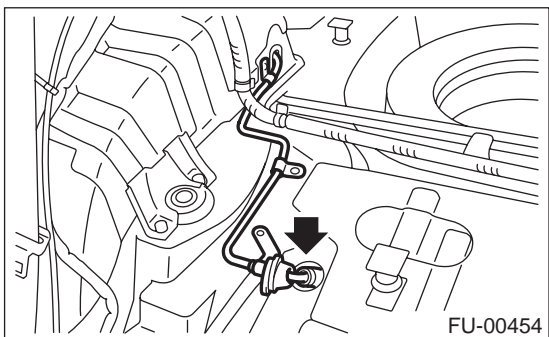
- 9) Remove pipe protector.



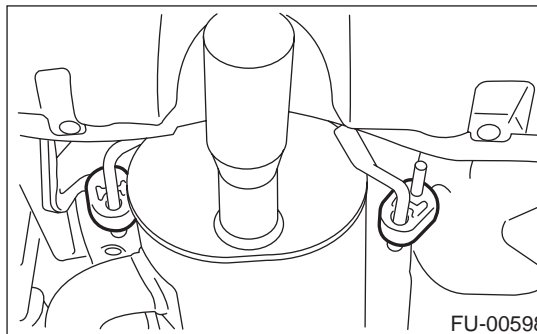
## FUEL TANK

### FUEL INJECTION (FUEL SYSTEMS)

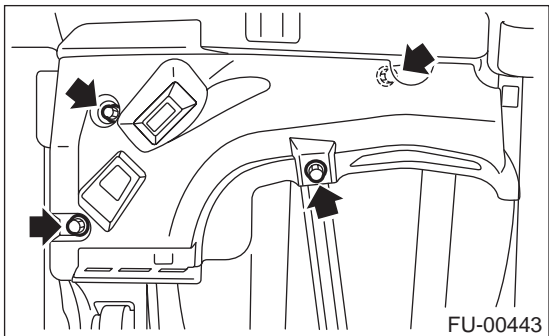
10) Separate quick connector of evaporation pipe (A). <Ref. to FU(H6DO)-78, REMOVAL, Fuel Delivery, Return and Evaporation Lines.>



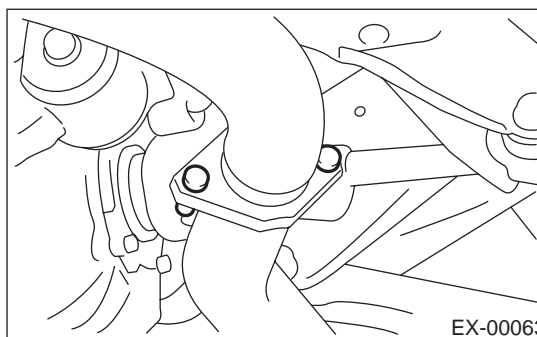
**CAUTION:**  
Be careful not to pull down muffler.



- 11) Remove wheel nuts from rear wheels.
- 12) Lift-up the vehicle.
- 13) Remove rear wheel.
- 14) Remove front side fuel tank cover.



- (3) Remove front rubber cushion and detach muffler assembly.



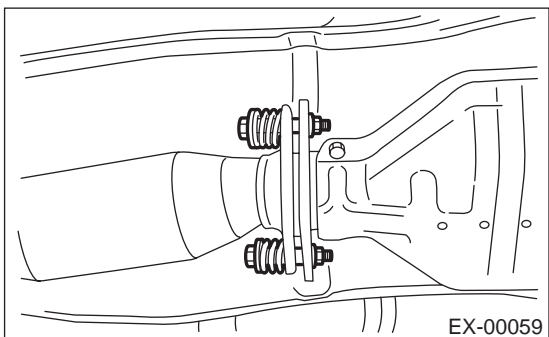
- 15) Remove rear exhaust pipe and muffler.

**NOTE:**

To facilitate removal, apply a coat of SUBARU CRC to matching area of rubber cushions in advance.

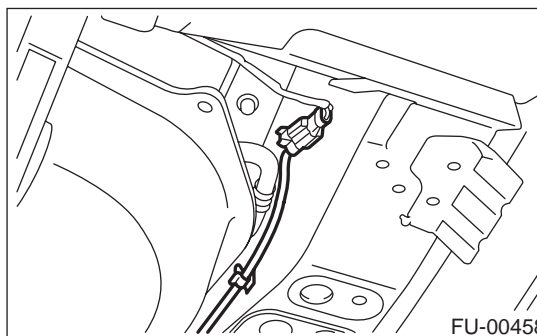
**SUBARU CRC (Part No. 004301003)**

- (1) Separate rear exhaust pipe from center exhaust pipe.



- 16) Remove propeller shaft. <Ref. to DS-14, REMOVAL, Propeller Shaft.>

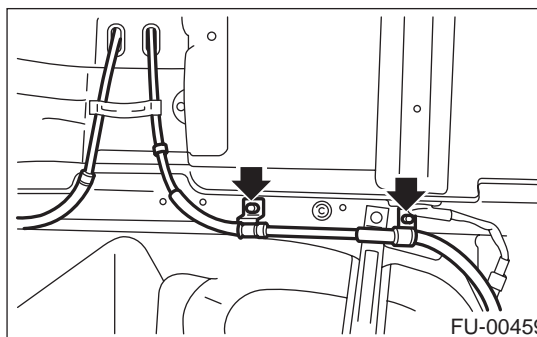
- 17) Disconnect connector from ABS sensor.



- (2) Remove left and right rubber cushions.

- 18) Remove bolts which hold parking brake cable holding bracket.

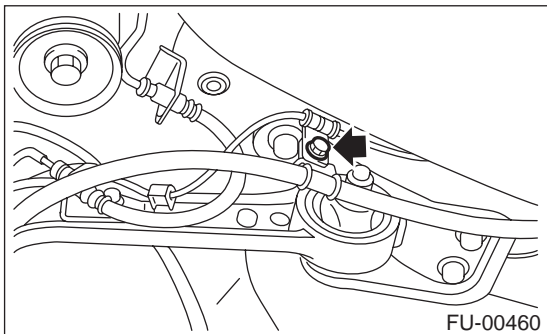
- 19) Remove parking brake cable from cabin by forcibly pulling it backward.



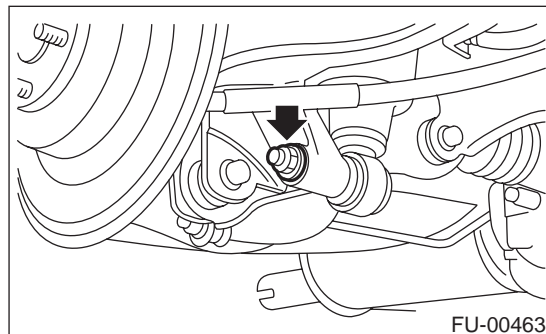
## FUEL TANK

### FUEL INJECTION (FUEL SYSTEMS)

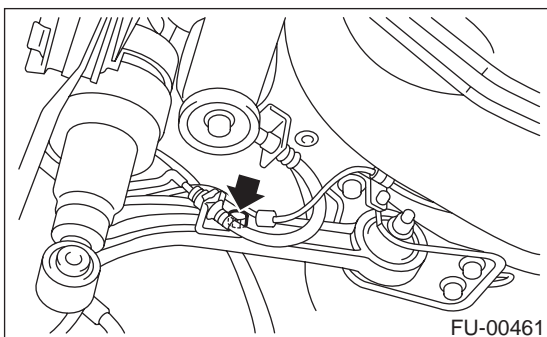
20) Remove bolts which hold parking brake cable holding bracket.



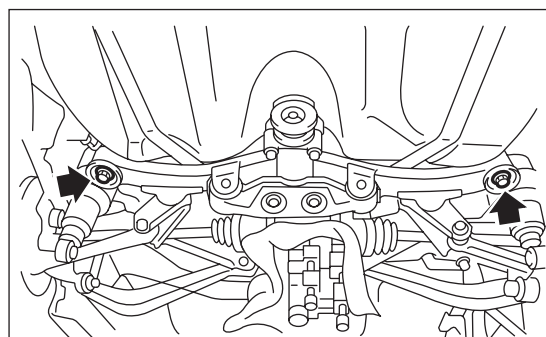
(2) Remove bolt which holds rear shock absorber to rear suspension arm.



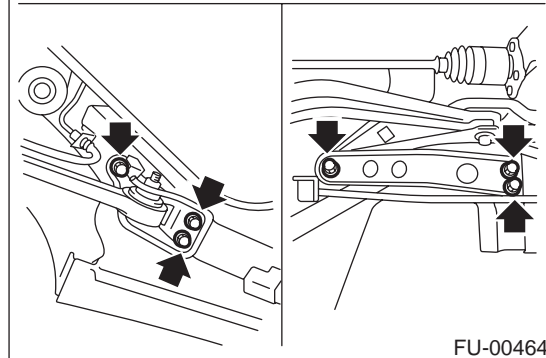
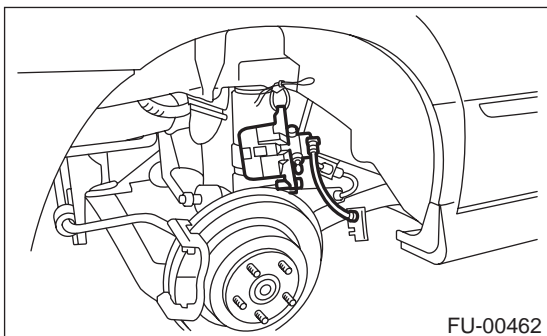
21) Remove bolts which hold rear brake hoses holding bracket.



(3) Remove bolts which secure rear suspension assembly to body.



22) Remove rear brake caliper, then tie it up to the body side of the vehicle as shown in figure.



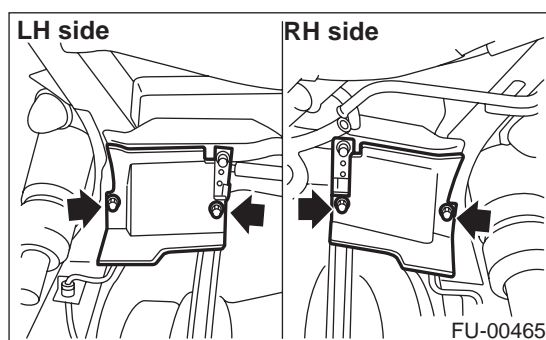
(4) Remove rear suspension assembly.  
24) Remove rear side fuel tank cover.

23) Remove rear suspension assembly.

**WARNING:**

**A helper is required to perform this work.**

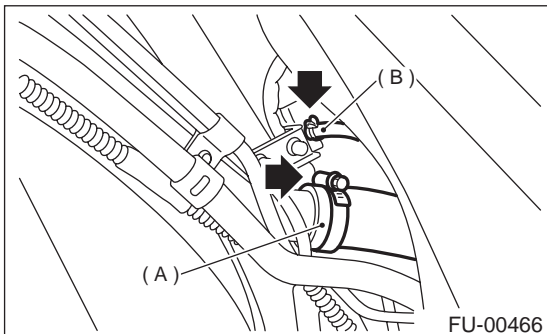
(1) Support rear differential with transmission jack.



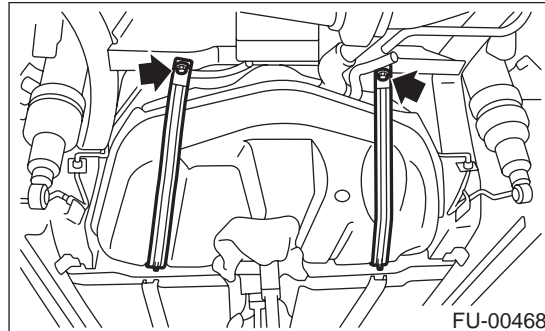
## FUEL TANK

### FUEL INJECTION (FUEL SYSTEMS)

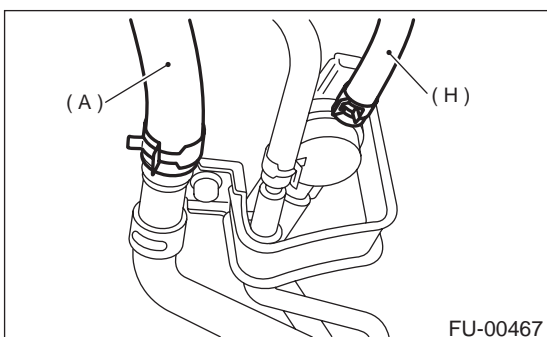
25) Disconnect fuel filler hose (A) and fuel tank pressure sensor (B) hose.



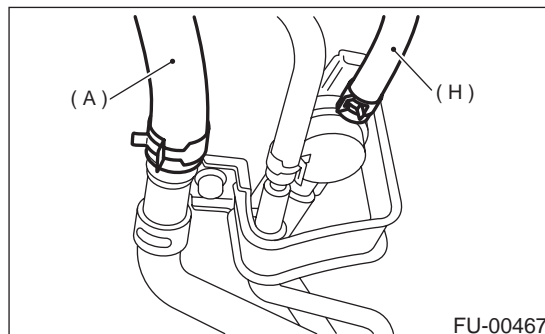
**WARNING:**  
A helper is required to perform this work.



26) Disconnect air vent hose (A) from evaporation pipe assembly and disconnect evaporation hose (I) from pressure control solenoid valve.

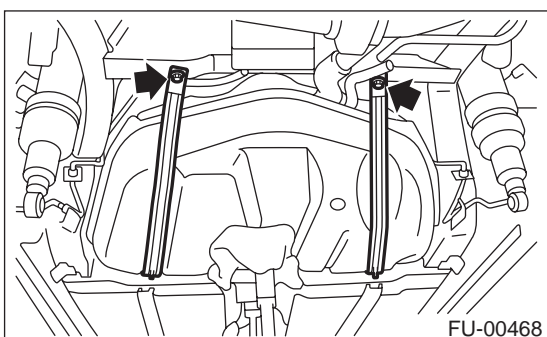


3) Connect air vent hose (A) to evaporation pipe assembly and connect evaporation hose (I) to pressure control solenoid valve.

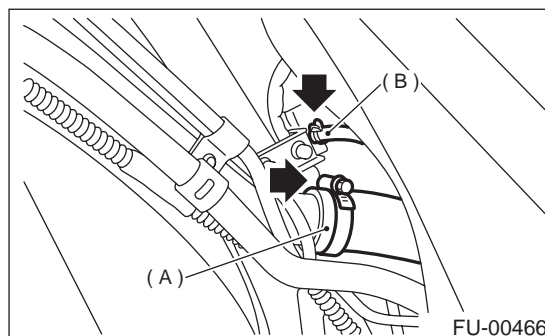


27) Support fuel tank with transmission jack, remove bolts from bands and dismount fuel tank from the vehicle.

**WARNING:**  
A helper is required to perform this work.



4) Connect fuel filler hose (A) and fuel tank pressure sensor (B).

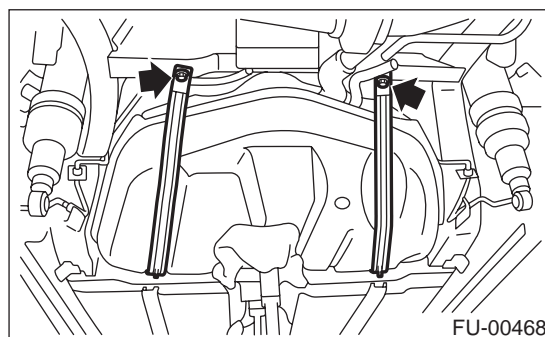


5) Tighten band mounting bolts.

**Tightening torque:**  
**33 N·m (3.4 kgf·m, 25 ft·lb)**

### B: INSTALLATION

- 1) Support fuel tank with transmission jack and push fuel tank harness into access hole with grommet.
- 2) Set fuel tank and temporarily tighten bolts of fuel tank bands.



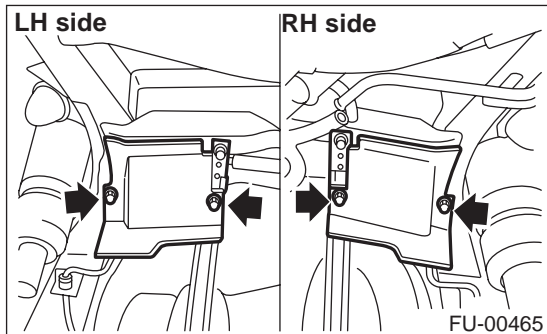
## FUEL TANK

FUEL INJECTION (FUEL SYSTEMS)

6) Install rear side fuel tank cover.

**Tightening torque:**

**18 N·m (1.8 kgf-m, 13.0 ft-lb)**



7) Install rear suspension assembly.

**WARNING:**

**A helper is required to perform this work.**

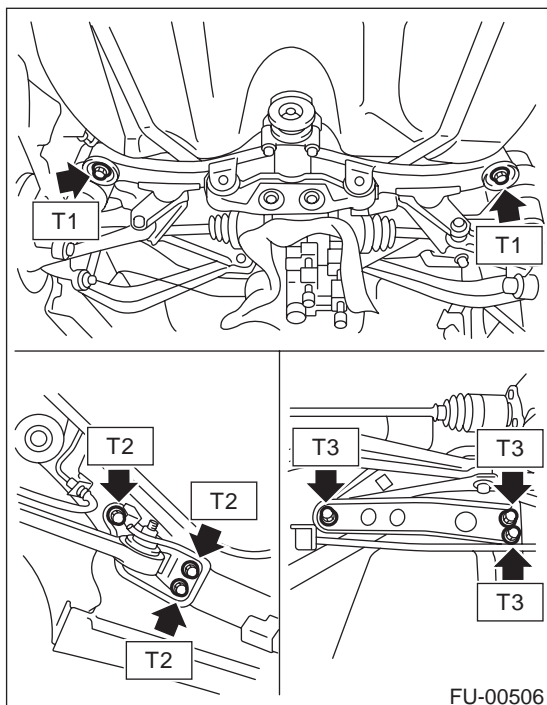
(1) Support rear suspension assembly and then tighten bolts which secure rear suspension assembly.

**Tightening torque:**

**T1: 172 N·m (17.5 kgf-m, 127 ft-lb)**

**T2: 108 N·m (11.0 kgf-m, 80 ft-lb)**

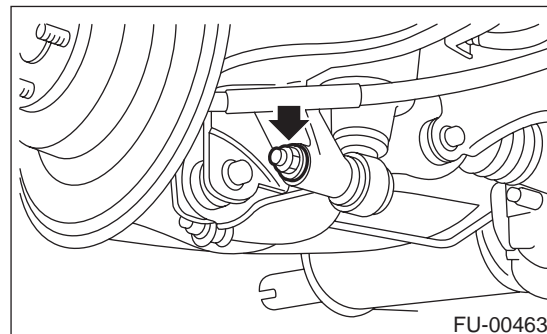
**T3: 66 N·m (6.7 kgf-m, 48 ft-lb)**



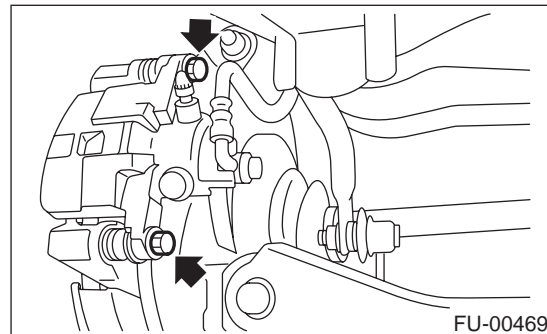
(2) Tighten bolt which holds rear shock absorber to rear suspension arm. <Ref. to RS-14, INSTALLATION, Link Upper.>

**Tightening torque:**

**157 N·m (16 kgf-m, 116 ft-lb)**



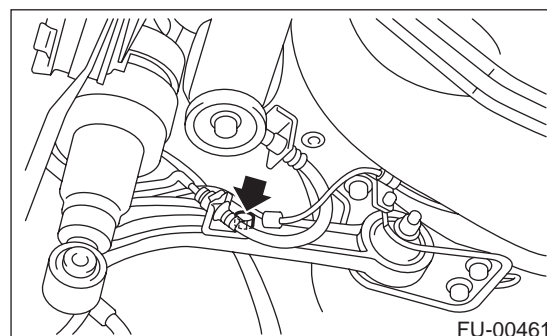
8) Install rear brake caliper. <Ref. to BR-22, INSTALLATION, Rear Disc Brake Assembly.>



9) Tighten bolt which holds rear brake hoses holding bracket.

**Tightening torque:**

**33 N·m (3.4 kgf-m, 25 ft-lb)**



10) Install parking brake cable to cabin by forcibly pushing it forward.

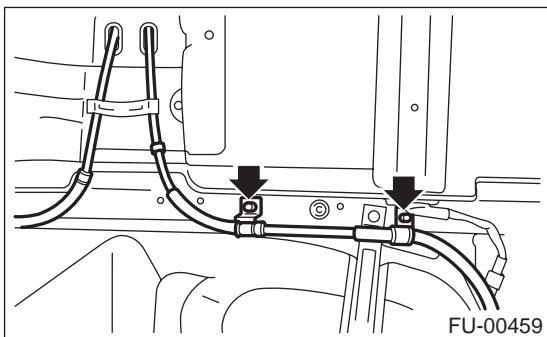
## FUEL TANK

### FUEL INJECTION (FUEL SYSTEMS)

11) Tighten bolts which hold parking brake cable holding bracket.

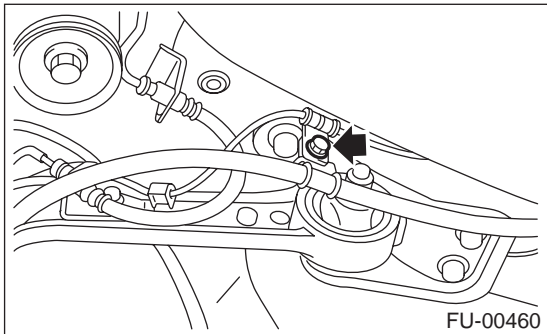
**Tightening torque:**

**18 N·m (1.8 kgf-m, 13.0 ft-lb)**

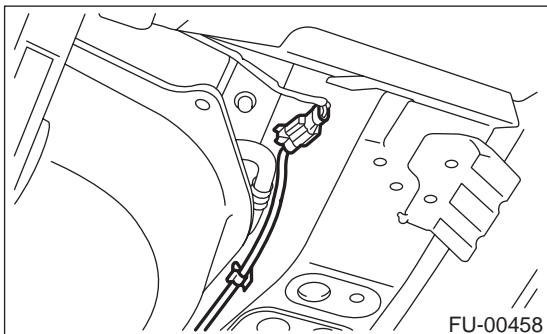


**Tightening torque:**

**32 N·m (3.3 kgf-m, 23.9 ft-lb)**



12) Connect connector to ABS sensor.



13) Install propeller shaft. <Ref. to DS-15, INSTALLATION, Propeller Shaft.>

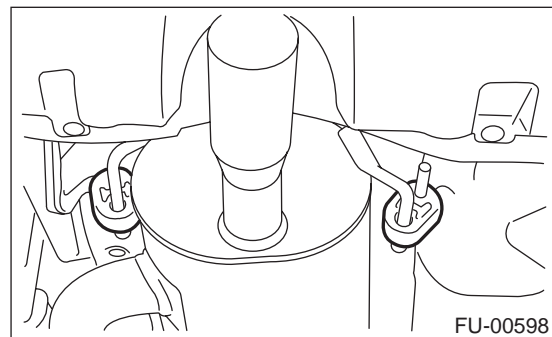
14) Install rear exhaust pipe and muffler.

**NOTE:**

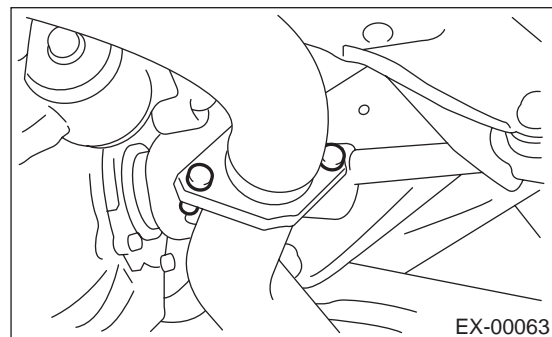
To facilitate the procedure, apply a coat of SUBARU CRC to matching area of rubber cushions in advance.

**SUBARU CRC (Part No. 004301003)**

(1) Install left and right rubber cushions.



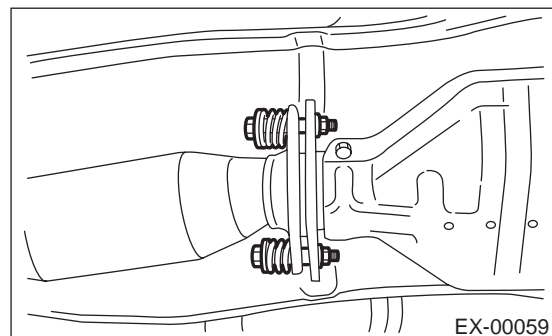
(2) Install front rubber cushion and attach muffler assembly.



(3) Install rear exhaust pipe to center exhaust pipe.

**Tightening torque:**

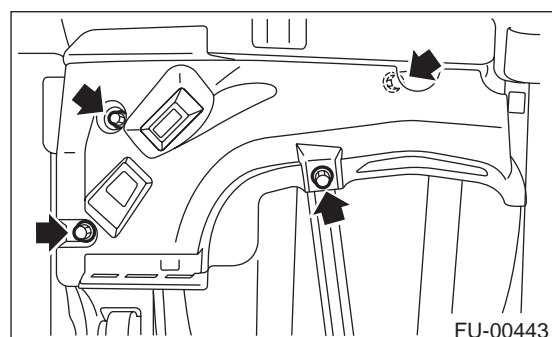
**18 N·m (1.8 kgf-m, 13.0 ft-lb)**



15) Install front side fuel tank cover.

**Tightening torque:**

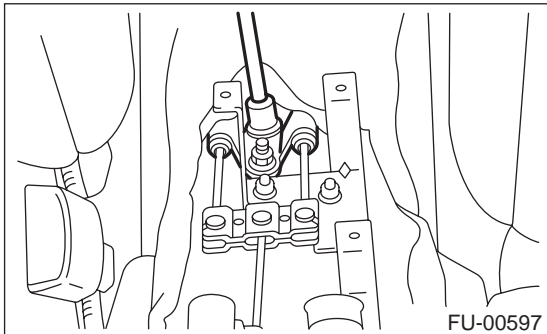
**18 N·m (1.8 kgf-m, 13.0 ft-lb)**



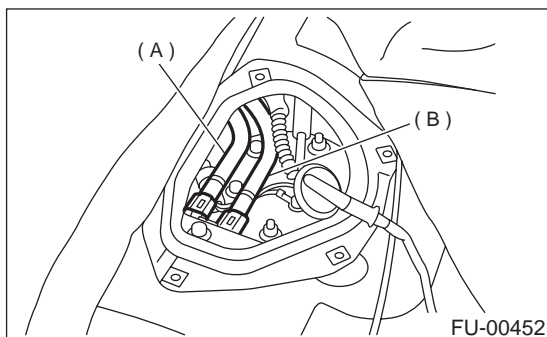
## FUEL TANK

### FUEL INJECTION (FUEL SYSTEMS)

- 16) Install rear wheel.
- 17) Lower the vehicle.
- 18) Tighten wheel nuts to rear wheel.
- 19) Install parking brake cable. <Ref. to PB-6, INSTALLATION, Parking Brake Cable.>

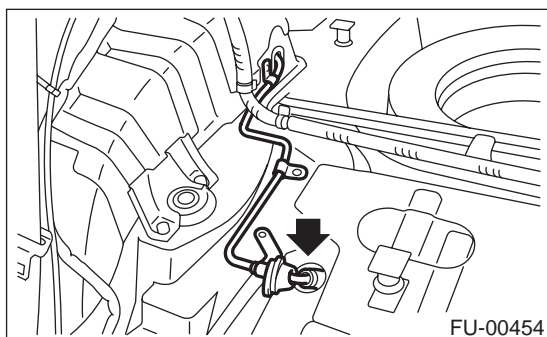


- 20) Install console box. <Ref. to EI-36, INSTALLATION, Console Box.>
- 21) Connect fuel hoses and hold them with quick connector. <Ref. to FU(H6DO)-79, INSTALLATION, Fuel Delivery, Return and Evaporation Lines.>

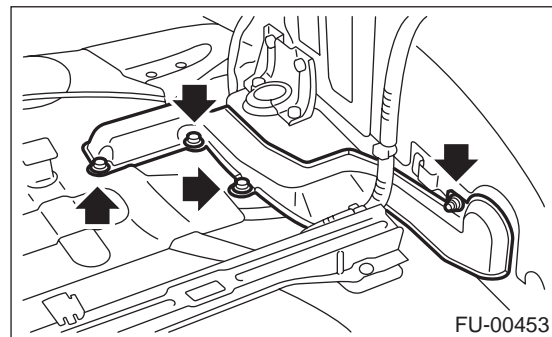


- (A) Delivery hose  
(B) Return hose

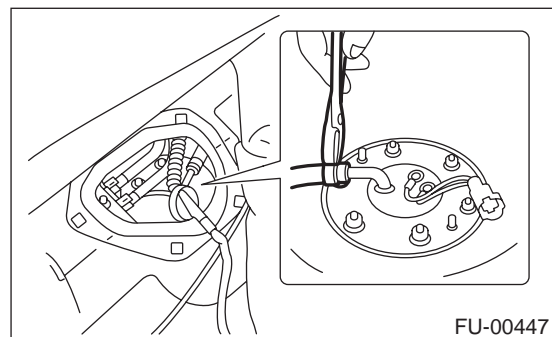
- 22) Connect evaporation pipe and hold it with quick connector. <Ref. to FU(H6DO)-79, INSTALLATION, Fuel Delivery, Return and Evaporation Lines.>



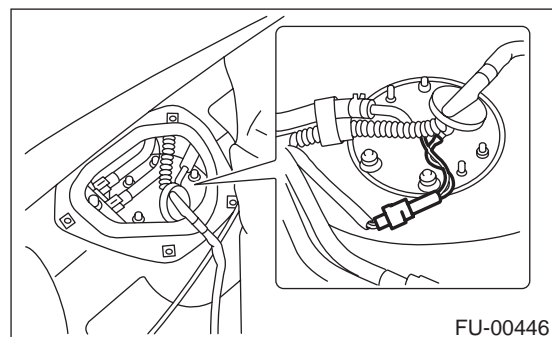
- 23) Install pipe protector.



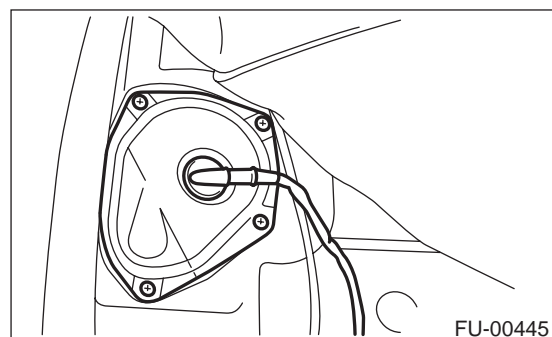
- 24) Install trunk room trim. (Sedan model)
- 25) Install luggage room trim. (Wagon model)
- 26) Connect fuel jet pump hose.



- 27) Connect connector to fuel sub level sensor.



- 28) Install sub service hole cover.

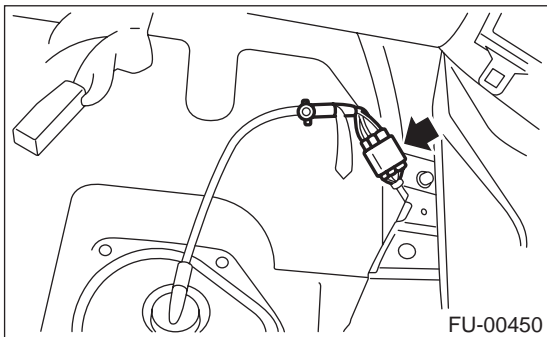


## FUEL TANK

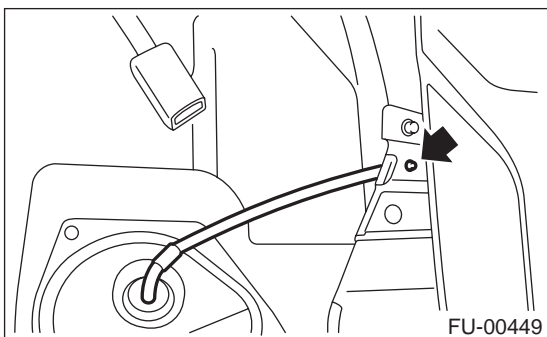
### FUEL INJECTION (FUEL SYSTEMS)

---

29) Connect connectors to fuel tank cord and plug service hole with grommet.

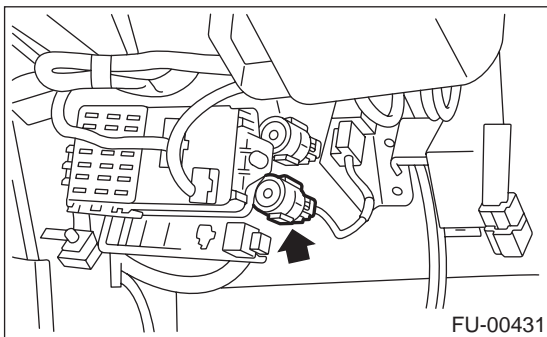


30) Install holder clip which secures fuel tank cord on bracket.



31) Set rear seat and floor mat.

32) Connect connector to fuel pump relay.



33) Adjust parking brake lever stroke. <Ref. to PB-10, ADJUSTMENT, Parking Brake Assembly.>

34) Check wheel alignment and adjust if necessary. <Ref. to FS-6, INSPECTION, Wheel Alignment.>

### **C: INSPECTION**

- 1) Make sure there are no cracks, holes, or other damage on the fuel tank.
- 2) Make sure that the fuel hoses and fuel pipes are not cracked and that connections are tight.