

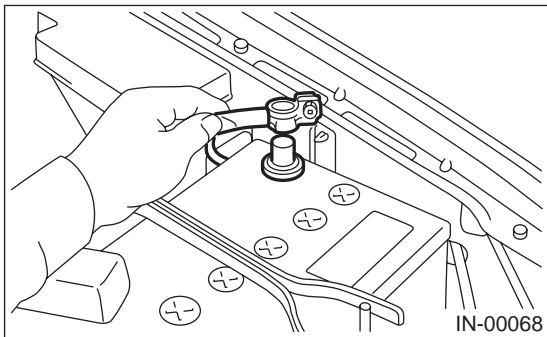
OIL PRESSURE SWITCH

LUBRICATION

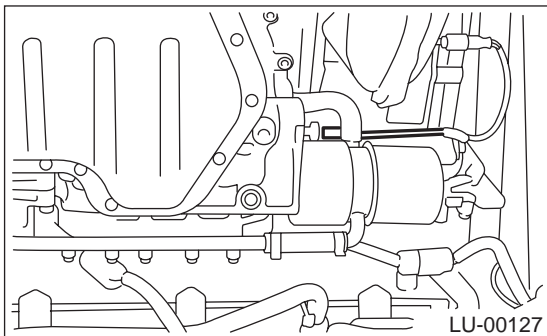
7. Oil Pressure Switch

A: REMOVAL

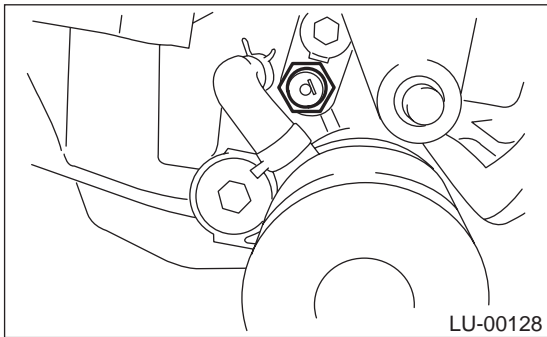
- 1) Set vehicle on the lift.
- 2) Disconnect battery ground cable.



- 3) Lift-up the vehicle.
- 4) Remove under cover.
- 5) Disconnect terminal from oil pressure switch.



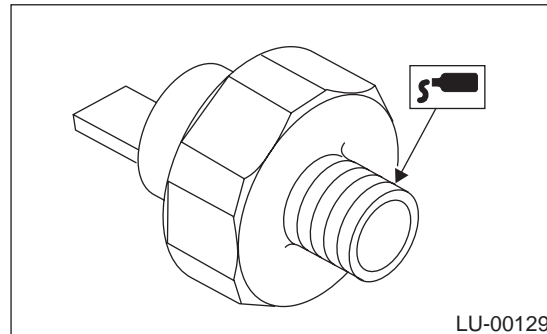
- 6) Remove oil pressure switch.



B: INSTALLATION

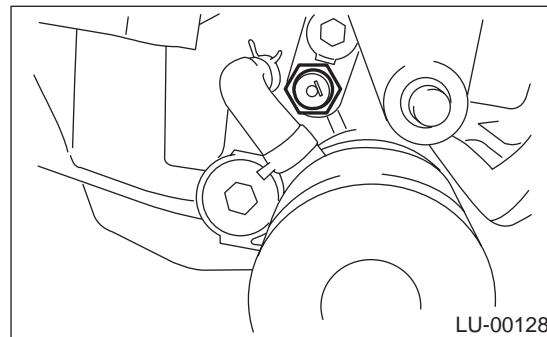
- 1) Apply liquid gasket to oil pressure switch threads.

Liquid gasket:
THREE BOND 1324 or equivalent

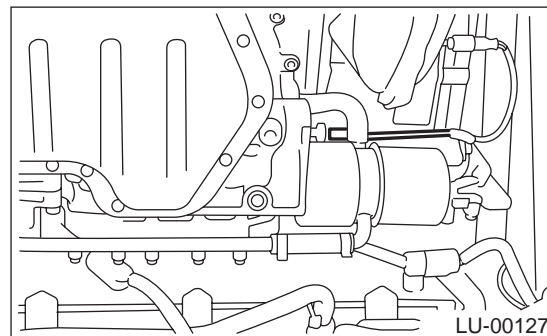


- 2) Install oil pressure switch.

Tightening torque:
25 N·m (2.5 kgf·m, 18.1 ft·lb)



- 3) Connect terminal of oil pressure switch.



- 4) Install under cover.

C: INSPECTION

Make sure oil does not leak or seep from where the oil pressure switch is installed.