

## ACCELERATOR CONTROL CABLE

SPEED CONTROL SYSTEMS

### 3. Accelerator Control Cable

#### A: REMOVAL

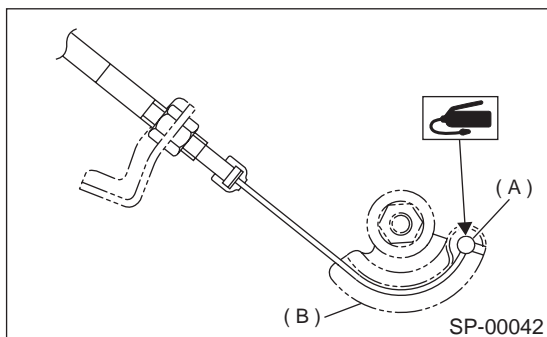
- 1) Remove accelerator pedal. <Ref. to SP(H6DO)-4, REMOVAL, Accelerator Pedal.>
- 2) Separate accelerator cable and accelerator pedal.

#### B: INSTALLATION

- 1) Install in the reverse order of removal.
- 2) Apply grease to engine side accelerator cable end.

#### Grease:

**Part No. 004404002**  
**Slicolube G-30M**



- (A) Grease application area  
(B) Throttle cam

#### CAUTION:

- If cable clamp is damaged, replace it with a new one.
- Never fail to cover outer cable end with boot.
- Be careful not to kink accelerator cable.
- Do not apply grease to the throttle cable on the engine side.

3) Adjustment after pedal installation <Ref. to SP(H6DO)-5, INSTALLATION, Accelerator Pedal.>

#### C: INSPECTION

- 1) Make sure the inner cable is not twisted or frayed.
- 2) Make sure the outer cable is not cracked.

## ACCELERATOR CONTROL CABLE

SPEED CONTROL SYSTEMS

---

**MEMO:**

SP(H6DO)-8