

IDENTIFICATION

IDENTIFICATION

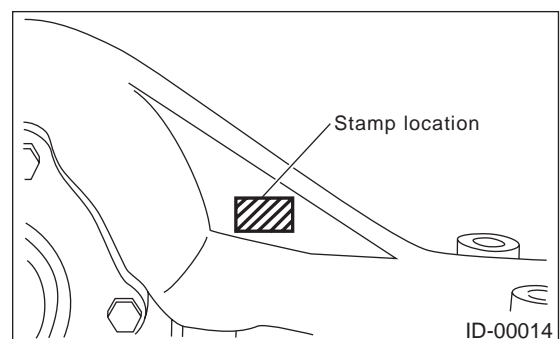
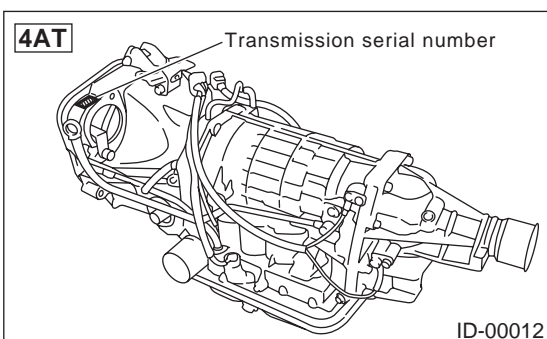
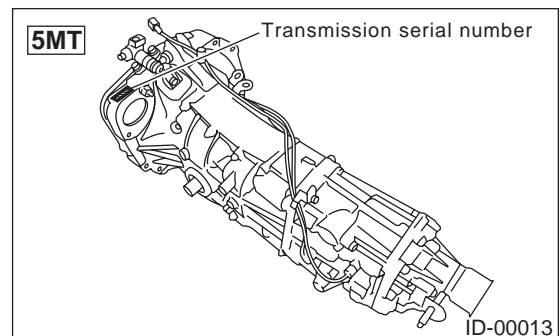
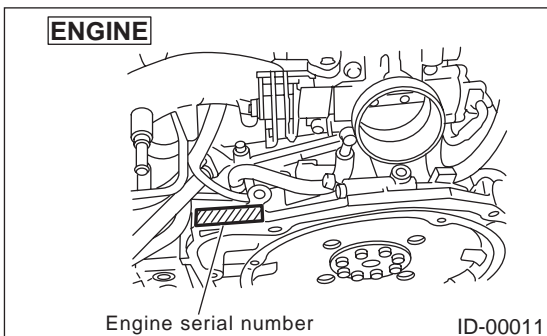
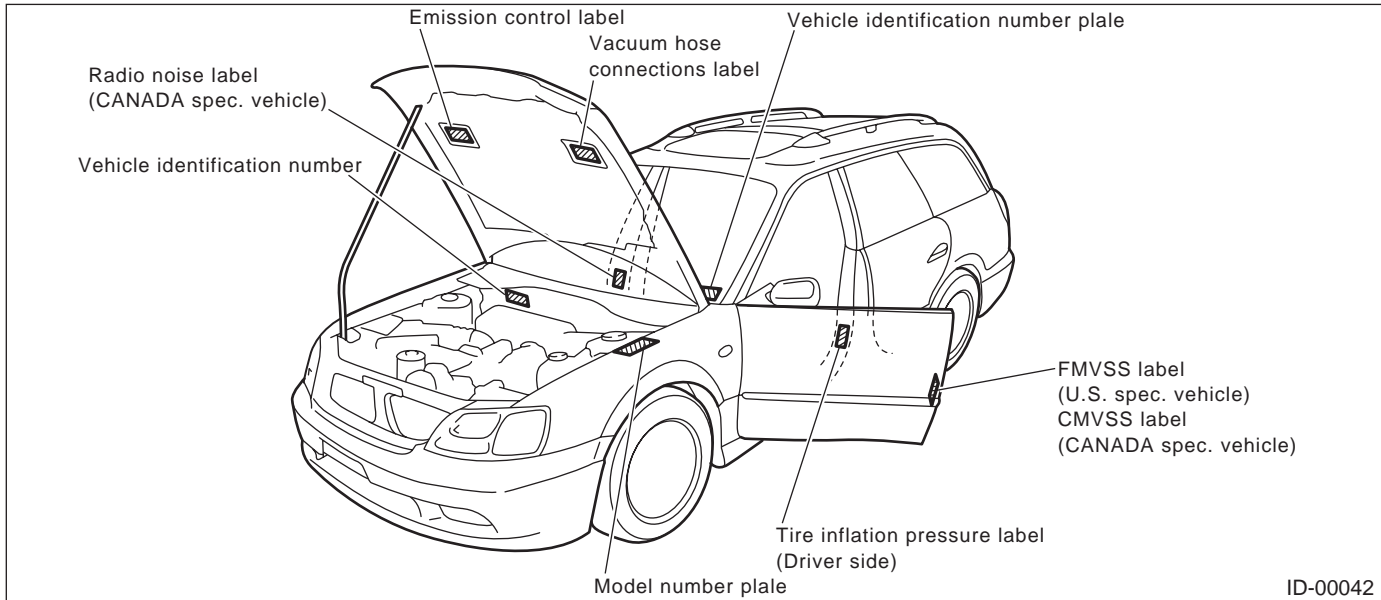
1. Identification

A: IDENTIFICATION

1. IDENTIFICATION NUMBER AND LABEL LOCATIONS

The VIN (Vehicle Identification Numbers) is used to classify the vehicle.

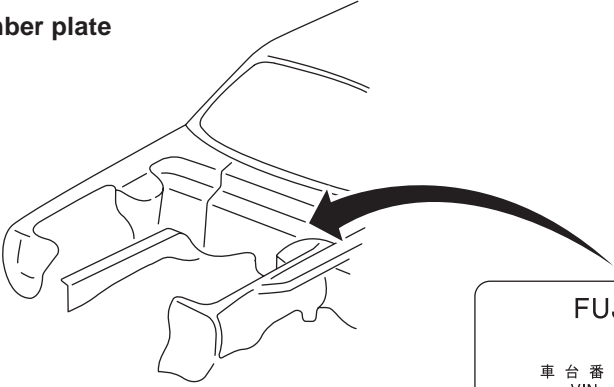
Positioning of the plate label for identification



IDENTIFICATION

IDENTIFICATION

Model number plate



FUJI HEAVY INDUSTRIES LTD.

型 式

車台番号 VIN **4S3BE635X37200001**

アプライドモデル applied model **BE9DY3J**
 オプションコード option code **E0**

トリムコード trim code **410**
 エンジン型式 engine type **EZ30DAXCBB**

外装飾コード color code **230**
 ミッション型式 transmission type **TY754VCDAA**

富士重工業株式会社

ID-00043

2. MEANING OF VIN

The meaning of the VIN is as follows:

[4S3BE635X37200001]

The starting and ending brackets ([]) are stop marks.

Digits	Code	Meaning	Details
1 to 3	4S3	Manufacturer body area	Passenger car, SIA made, For US/Canada/Taiwan/Chile
4	B	Car line	Legacy/OUTBACK series
5	E	Body type	E: Sedan/OUTBACK Sedan H: Station Wagon/OUTBACK Wagon
6	6	Displacement	6: 2.5 L AWD 8: 3.0 L AWD
7	3	Grade	2: Brighton 3: L 4: 2.5 GT 5: 2.5 GT LO 6: OUTBACK Wagon 7: OUTBACK Wagon-cold weather 8: OUTBACK Sedan-LTD, OUTBACK Wagon-LTD 9: OUTBACK Sedan-6 cylinders, OUTBACK Wagon-6 cylinders 0: OUTBACK-6 cylinders L.L.-Bean
8	5	Restraint	5: Manual belts, dual airbag 6: Manual belts, dual airbag, side airbag
9	X	Check digit	0 - 9 and X
10	3	Model year	3: 2003MY 4: 2004MY 5: 2005MY
11	7	Transmission type	5: Full-time AWD 4-speed AT-SS 6: Full-time AWD 5-speed MT 7: Full-time AWD 4-speed AT
12 to 17	200001	Manufacture number	From 200001: Sedan From 300001: Station Wagon From 600001: OUTBACK Wagon

IDENTIFICATION

IDENTIFICATION

3. MODEL NUMBER PLATE

The model number plate indicates: the applied model, the option code, the trim code, the engine type, the transmission type, and the exterior color code. This information is helpful when placing orders for parts.

BE9DY3J

Digits	Code	Meaning	Details
1	B	Series	B: Legacy/OUTBACK
2	E	Body style	E: Sedan/OUTBACK Sedan H: Station Wagon/OUTBACK Wagon
3	9	Engine displacement Drive system Suspension system	9: 2.5 L AWD E: 3.0 L AWD
4	D	Minor change	D: 2003MY (SIA made)
5	Y	Destination	Y: Left-hand drive for United States, Canada and Taiwan
6	3	Grade	1: Brighton 3: L 4: OUTBACK Wagon 8: OUTBACK Sedan-6 cylinders 9: OUTBACK Sedan-LTD A: OUTBACK Wagon-cold weather B: OUTBACK Wagon-LTD C: OUTBACK Wagon-6 cylinders D: OUTBACK-6 cylinders L.L.-Bean G: 2.5 GT H: 2.5 GT LO
7	J	Transmission, fuel feed system	E: DOHC MPI 4-speed AT J: SOHC MPI center differential AWD R: SOHC MPI 4-speed AT L: SOHC MPI 4-speed AT-SS

The engine and transmission type are as follows:

• Engine

EZ30DAXCBB

Digits	Code	Meaning	Details
1 and 2	EZ	Engine type	EJ: 4 cylinders EZ: 6 cylinders
3 and 4	30	Displacement	25: 2.5 L 30: 3.0 L
5	D	Fuel feed system	1: D-MPI SOHC-A phase-2 or -3 2: D-MPI SOHC-B phase-2 or -3 D: D-MPI DOHC 6 cylinders phase-3
6	A	Exhaust regulations	—
7	X	Transmission	W: AWD MT X: AWD AT
8 to 10	CBB	Detailed specifications	Used when ordering parts. See the parts catalog for details.

IDENTIFICATION

IDENTIFICATION

• Transmission

TY754VCDAA

Digits	Code	Meaning	Details
1	T	Transmission	T: Transmission
2	Y	Transmission type	Y: Full-time AWD MT center differential V: Full-time AWD AT VTD Z: Full-time AWD AT MPT
3 and 4	75	Classification	75: MT 1A, 1B: AT
5	4	Series	4: 5th Generation Legacy
6	V	Transmission specifications	V: Full-time AWD 5-speed MT with viscous coupling center differential single range Z: Full-time AWD 4-speed AT with MPT Y: Full-time AWD 4-speed AT with VTD
7	C	Mounted body	C: US 2.5 L SOHC V, M: US 3.0 L DOHC
8 to 10	DAA	Detailed specifications	Used when ordering parts. See the parts catalog for details.

• Rear differential 1

VA1REH

Digits	Code	Meaning	Details
1	V	For AWD	V: AWD
2	A	Type	A: A type
3	1	Hypoid gear diameter	1: 152 dia.
4	R	Installation position	R: Rear
5	E	Reduction gear ratio	E: 4.111
6	H	Specification differences	H: Case B with cooling fin

• Rear differential 2

T1

Code	Reduction gear ratio	LSD
T1	3.900	No
T2	4.111	No
JE	4.111	Viscous
CD	4.444	Viscous

IDENTIFICATION

IDENTIFICATION

MEMO: