

FRONT & REAR DIFFERENTIAL OIL

PERIODIC MAINTENANCE SERVICES

16. Front & Rear Differential Oil

A: REPLACEMENT

1. FRONT DIFFERENTIAL (MANUAL TRANSMISSION)

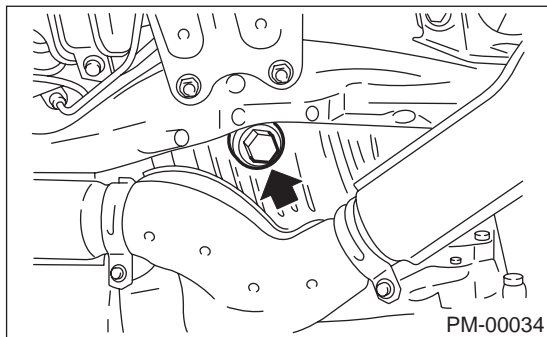
For M/T vehicle, manual transmission oil works as differential oil to lubricate differential. Refer to "Transmission Oil". <Ref. to PM-22, MANUAL TRANSMISSION, REPLACEMENT, Transmission Oil.>

2. FRONT DIFFERENTIAL (AUTOMATIC TRANSMISSION)

1) Drain differential gear oil by removing drain plug after allowing the engine to cool for 3 to 4 hours.

NOTE:

- Before starting work, cool off the engine well.
- If transmission gear oil splashes on exhaust pipe, wipe it clean.



2) Reinstall drain plug after draining differential gear oil and tighten it to the specified torque.

Tightening torque:

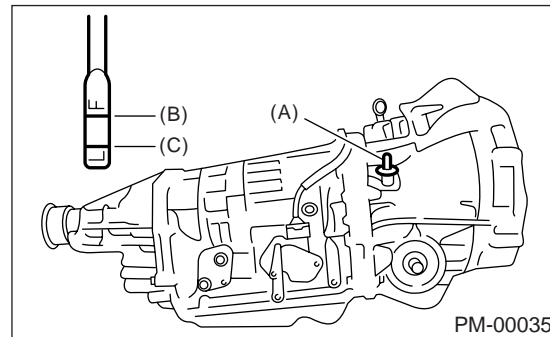
44 N·m (4.5 kgf·m, 32.5 ft·lb)

NOTE:

- Be sure to place a gasket between the transmission case and drain plug.
 - Replace the gasket with a new one.
 - Each oil manufacturer has its base oil and additives. Thus, do not mix two or more brands.
- 3) Fill differential gear oil through the oil level gauge hole up to the upper point of level gauge.

Differential gear oil capacity:

1.1 — 1.3 ℓ (1.2 — 1.4 US qt, 1.0 — 1.1 Imp qt)



- (A) Oil level gauge
- (B) Upper level
- (C) Lower level

FRONT & REAR DIFFERENTIAL OIL

PERIODIC MAINTENANCE SERVICES

3. REAR DIFFERENTIAL

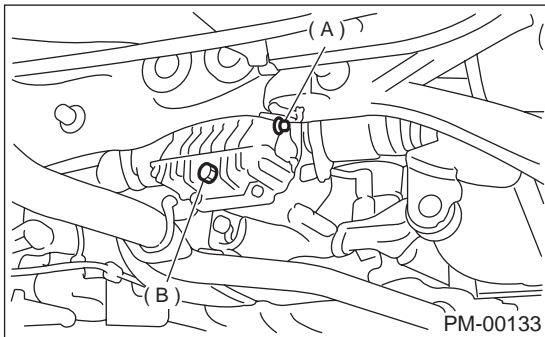
• L and BRIGHTON AT model

- 1) Drain oil by removing drain plug.
- 2) Remove filler plug for quicker draining.
- 3) Replace drain plug gasket with a new one.
- 4) Tighten drain plug to the specified torque.

Tightening torque:

34 N·m (3.5 kgf-m, 25.3 ft-lb)

- 5) After installing drain plug, fill oil fully up to the mouth of filler plug.



- (A) Filler plug
(B) Drain plug

Oil capacity:

0.9 ℓ (1.0 US qt, 0.8 Imp qt)

- 6) Replace filler plug gasket with a new one.
- 7) Install filler plug onto rear differential gear case.

Tightening torque:

34 N·m (3.5 kgf-m, 25.3 ft-lb)

• Except L and BRIGHTON AT model

- 1) Drain oil by removing drain plug.
- 2) Remove filler plug for quicker draining.
- 3) Tighten drain plug after draining oil.

NOTE:

Apply fluid packing to drain plug threads before installation.

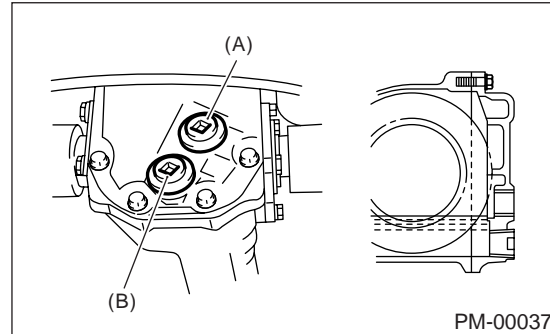
Fluid packing:

Three Bond 1105 (Part No. 004403010)

Tightening torque:

49.0 N·m (5.0 kgf-m, 36.2 ft-lb)

- 4) After installing drain plug onto rear differential gear case firmly, fill oil up fully to the mouth of filler plug.



- (A) Filler plug
(B) Drain plug

Oil capacity:

0.8 ℓ (0.8 US qt, 0.7 Imp qt)

NOTE:

Each oil manufacturer has its base oil and additives. Thus, do not mix two or more brands.

- 5) Install filler plug onto rear differential gear case firmly.

NOTE:

Apply fluid packing to filler plug before installation.

Fluid packing:

Three Bond 1105 (Part No. 004403010)

Tightening torque:

49.0 N·m (5.0 kgf-m, 36.2 ft-lb)