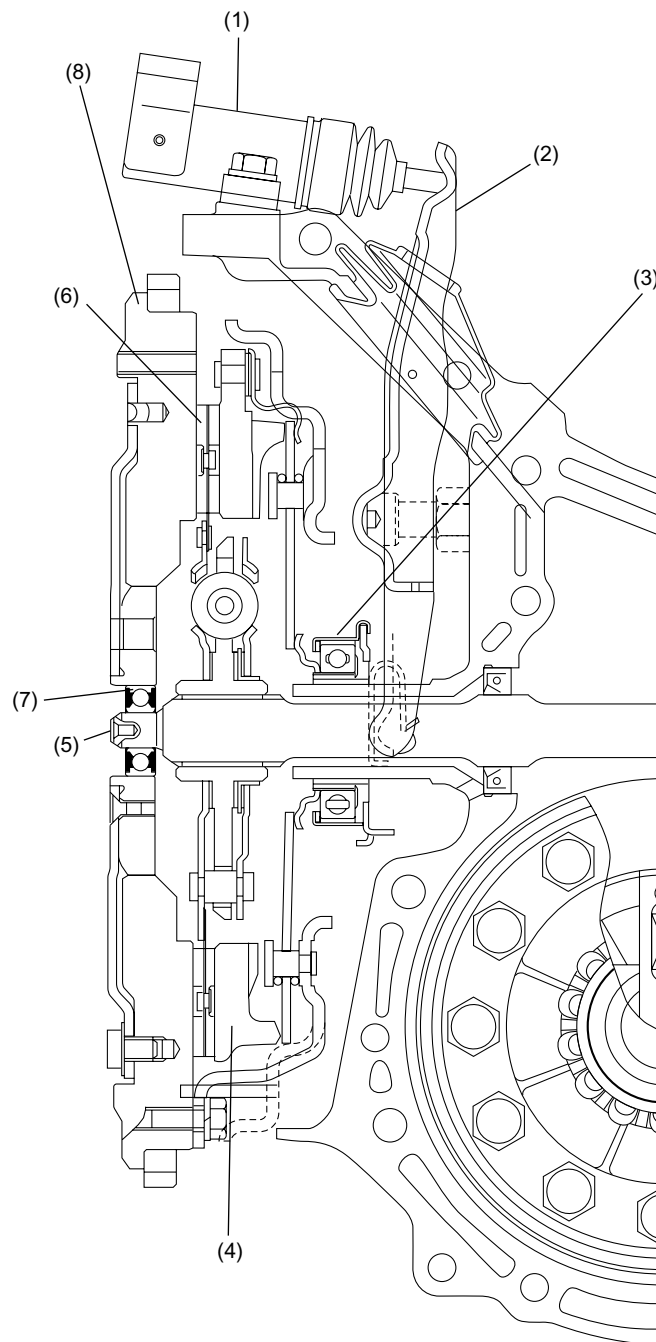


CROSS SECTIONAL VIEW

Clutch

3. Cross Sectional View



CL-00085

(1) Operating cylinder
(2) Release lever
(3) Release bearing

(4) Clutch cover
(5) Transmission main shaft
(6) Clutch disc

(7) Pilot bearing
(8) Flywheel

CL-4