

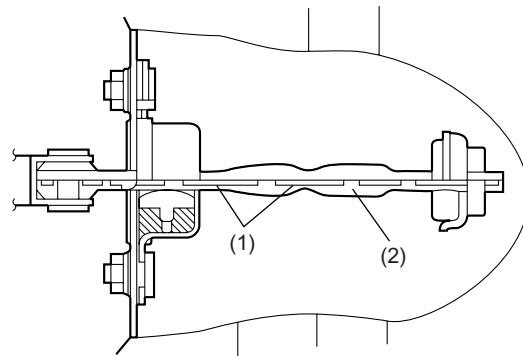
DOOR

Exterior Body Panels

1. Door

A: DOOR CHECKER

The door checkers have a resin arm which feels better when operated.



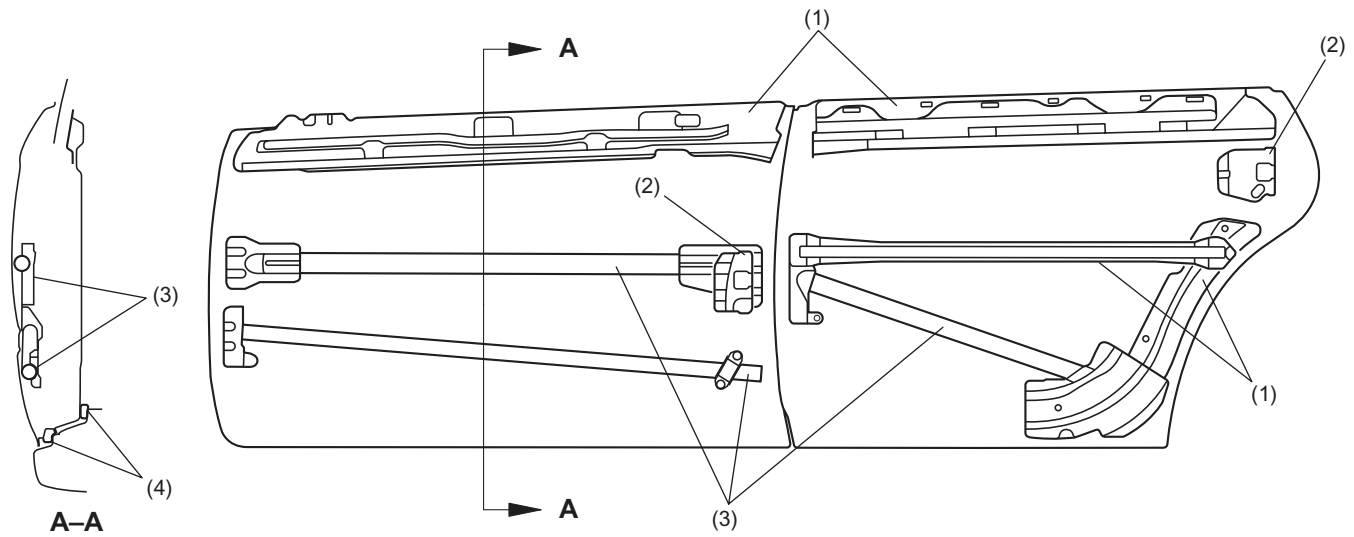
EB-00028

- (1) Sheet metal
- (2) Resin

DOOR

B: DOOR CONSTRUCTION

- All the front and rear doors have in their inside side door beams, inner reinforcements and reinforcement latches.
- Tight closure at the bottom of each door is ensured by dual sealing.



EB-00074

- | | |
|-------------------------|--------------------|
| (1) Inner reinforcement | (3) Side door beam |
| (2) Reinforcement latch | (4) Dual sealing |

DOOR

Exterior Body Panels

MEMO

EB-4