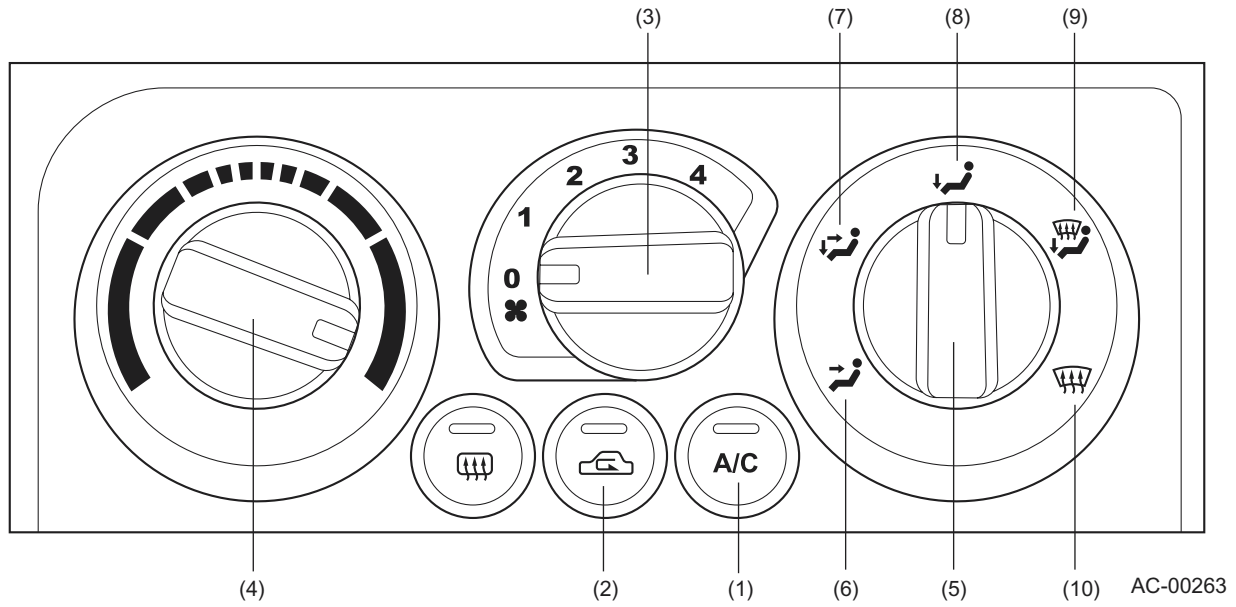


SWITCH FUNCTIONS

HVAC System (Heater, Ventilator and A/C)

2. Switch Functions



(1)	Air conditioner switch	Indicator	* ¹ ON		OFF		
		Compressor	ON		OFF		
		* ¹ : When the fan switch is turned ON, the indicator and compressor also turn ON.					
(2)	Recirculation switch	Indicator	ON		OFF		
		Intake door position	Recirc		Fresh		
(3)	Fan switch	Switch position	1	2	3	4	
		Fan speed	1st (slow)	2nd	3rd	4th (fast)	
(4)	Temperature control switch	Any temperature can be selected between COLD and HOT.					
(5)	Mode selector switch	Switch position	(6)	(7)	(8)	(9)	(10)
		Air outlet	Ventilator	Ventilator/ heater	Heater	Defroster/ heater* ²	Defroster* ²
		* ² : When the defroster or defroster/heater position is selected, the air conditioner switch automatically turns ON and the recirculation switch automatically turns OFF (to Fresh mode). Reference: In defroster and defroster/heater modes the compressor operates in connection. However, the compressor may not operate in conditions such as when the outside air temperature is low.					