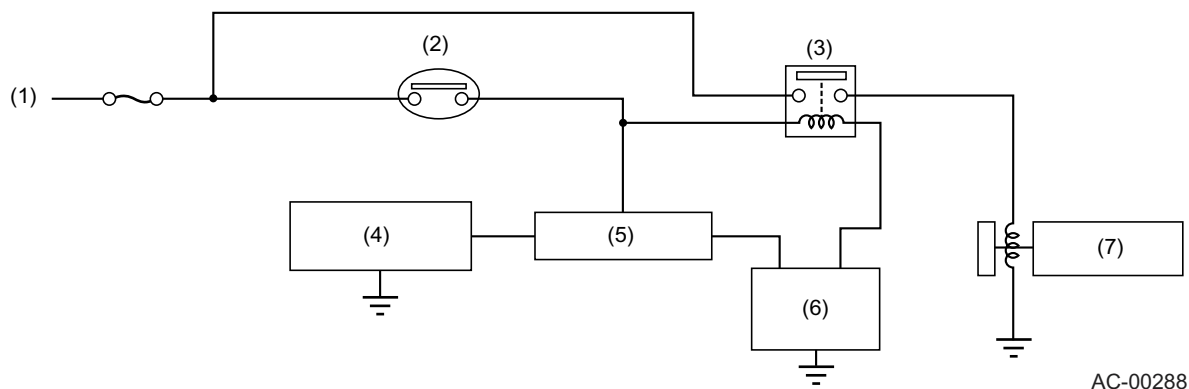


## COMPRESSOR CLUTCH "ON" DELAY SYSTEM

HVAC System (Heater, Ventilator and A/C)

### 15. Compressor Clutch "ON" Delay System

When the A/C switch and fan switch are turned ON, a signal is sent to the engine control module. The engine control module then judges whether the engine is in operation. If the engine is operating, the engine control module activates the A/C relay. The maximum clutch "ON" delay times is 0.8 seconds after the A/C relay is activated.



- (1) Ignition switch
- (2) Pressure switch
- (3) A/C relay
- (4) Fan switch  
A/C switch

- (5) Thermostat
- (6) Engine control module
- (7) Compressor