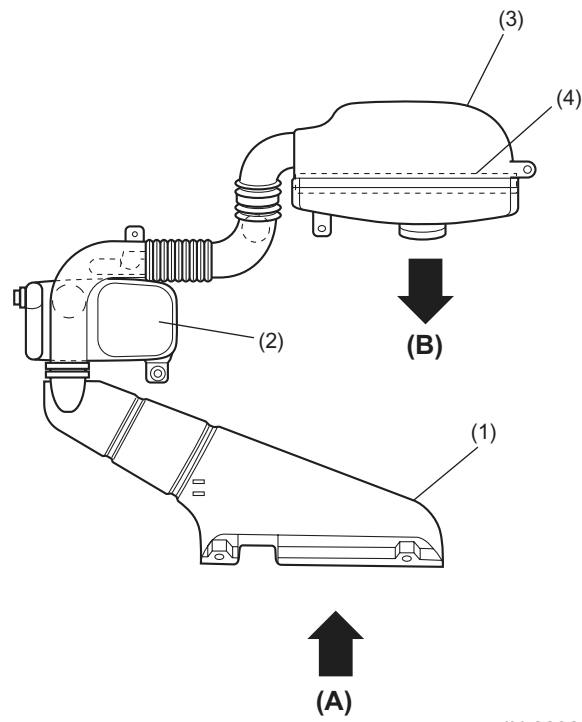


GENERAL

Intake (Induction)

1. General

The intake system consists of an air intake duct, a resonator chamber, and an air cleaner element housed in its case. The resonator, located upstream of the air cleaner case, effectively reduces the intake noise level.



IN-00063

- (1) Intake duct
- (2) Resonator chamber
- (3) Air cleaner case
- (4) Air cleaner element

- (A) Fresh air
- (B) To throttle body