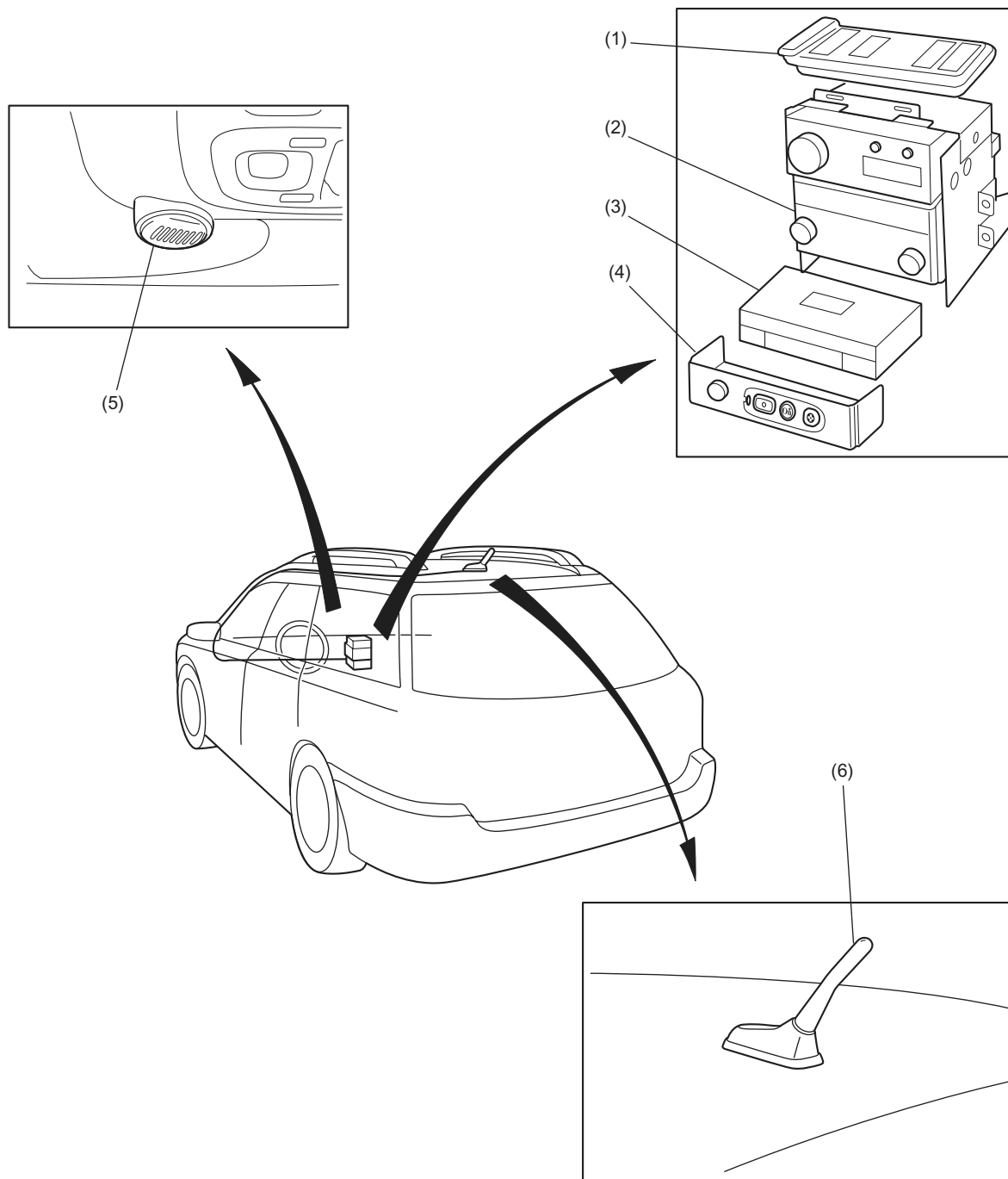


# SYSTEM LAYOUT

OnStar®

## 2. System Layout



OS-00002

- (1) Vehicle communication unit (VCU)
- (2) OnStar® audio
- (3) Vehicle interface unit (VIU)

- (4) Button assembly
- (5) Microphone
- (6) Antenna (caller and GPS antenna)