

FRONT SEAT

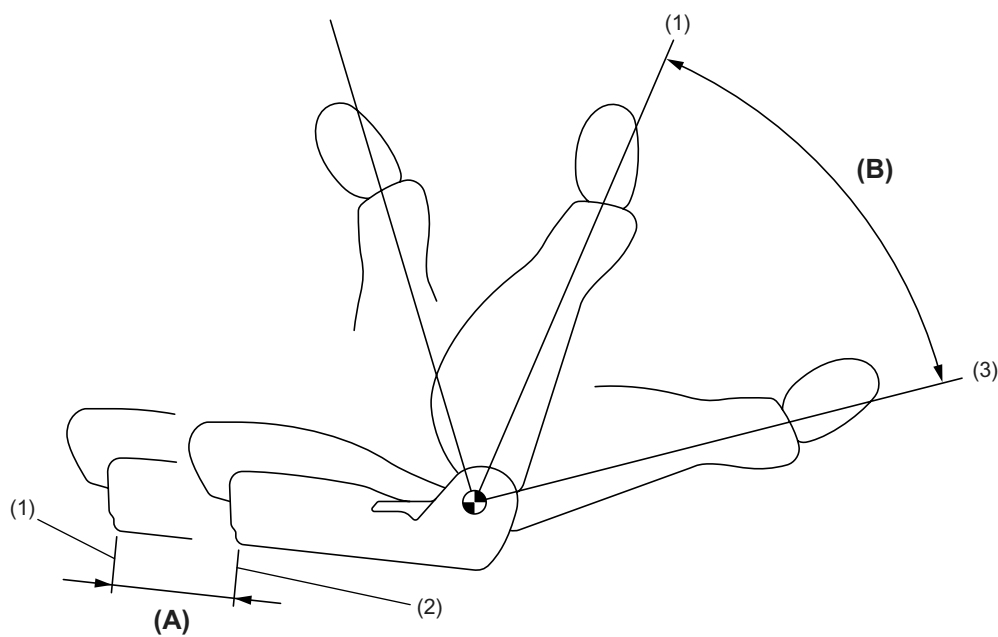
Seats

1. Front Seat

A: ADJUSTMENT

1. STANDARD SEAT

- The height of each headrest is adjustable to any of the 4 positions available at 18 mm (0.71 in) steps.
- The angle of each backrest is adjustable to any of the 32 positions available at 2° steps.
- The front seat can be slid back and forth to one of the 17 positions available at 13.5 mm (0.53 in) steps.



SE-00159

- (1) 1st position
- (2) 18th position
- (3) 33rd position

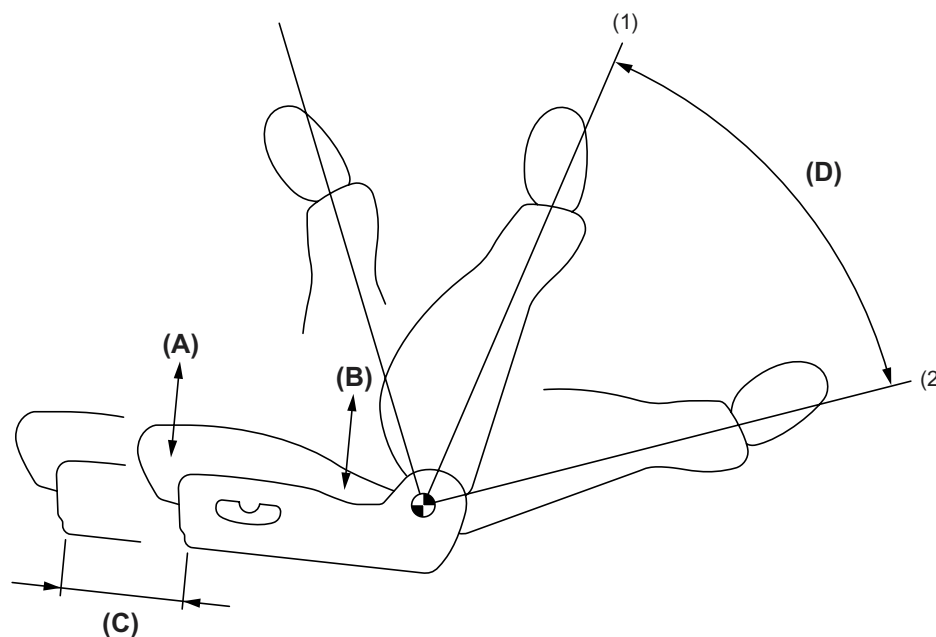
- (A) 17×13.5 mm (0.53 in)
- (B) 32×2°

FRONT SEAT

Seats

2. POWER SEAT (6-WAY)

- The driver's 6-way power seat has a function of automatically adjusting its fore-aft position, cushion's front and rear portion heights, backrest angle, and headrest height in response to operation of the corresponding switches.
- The height of each headrest is adjustable to any of the 4 positions available at 18 mm (0.71 in) steps.
- The angle of the backrest is adjustable to any of the 32 positions available at 2° steps.
- The front seat can be slid back and forth steplessly within a 229.5 mm (9.04 in) range.
- The front portion height of the seat cushion can be adjusted steplessly within a 35 mm (1.38 in) range.
- The rear portion height of the seat cushion can be adjusted steplessly within a 25 mm (0.98 in) range.



SE-00160

- (1) 1st position
(2) 33rd position

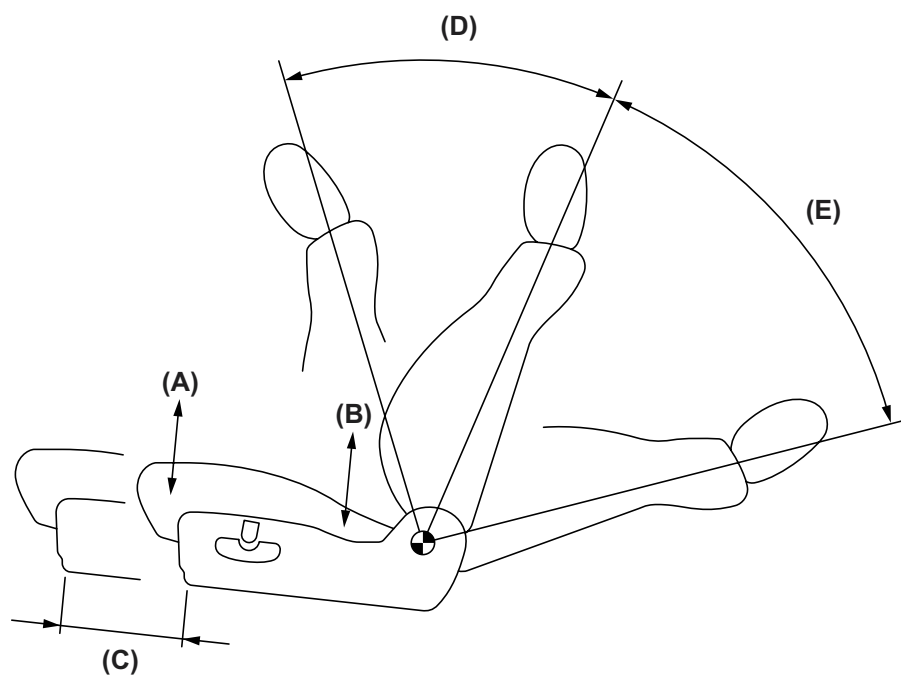
- (A) 35 mm (1.38 in)
(B) 25 mm (0.98 in)
(C) 229.5 mm (9.04 in)
(D) 32x2°

FRONT SEAT

Seats

3. POWER SEAT (8-WAY)

- The driver's 8-way power seat has a function of automatically adjusting its fore-aft position, cushion's front and rear portion heights, backrest forward and backward angles, and headrest height in response to operation of the corresponding switches.
- The height of each headrest is adjustable to any of the 4 positions available at 18 mm (0.71 in) steps.
- The angle of the backrest is adjustable steplessly within a range from 18° forward to 58° backward.
- The front seat can be slid back and forth steplessly within a 229.5 mm (9.04 in) range.
- The front portion height of the seat cushion can be adjusted steplessly within a 35 mm (1.38 in) range.
- The rear portion height of the seat cushion can be adjusted steplessly within a 25 mm (0.98 in) range.



SE-00161

- (A) 35 mm (1.38 in)
- (B) 25 mm (0.98 in)
- (C) 229.5 mm (9.04 in)
- (D) 18°
- (E) 58°

FRONT SEAT

Seats

B: SEAT HEATER

The electric seat heater consists of wire heating elements embedded in the seat cushion and backrest under the seat covering. Heating temperature can be selected between two settings: high-temperature setting for quick warming and low-temperature setting for continuous warming. Two thermostats are used to maintain a selected temperature and ensure safety.



SE-00162

(1) Thermostat

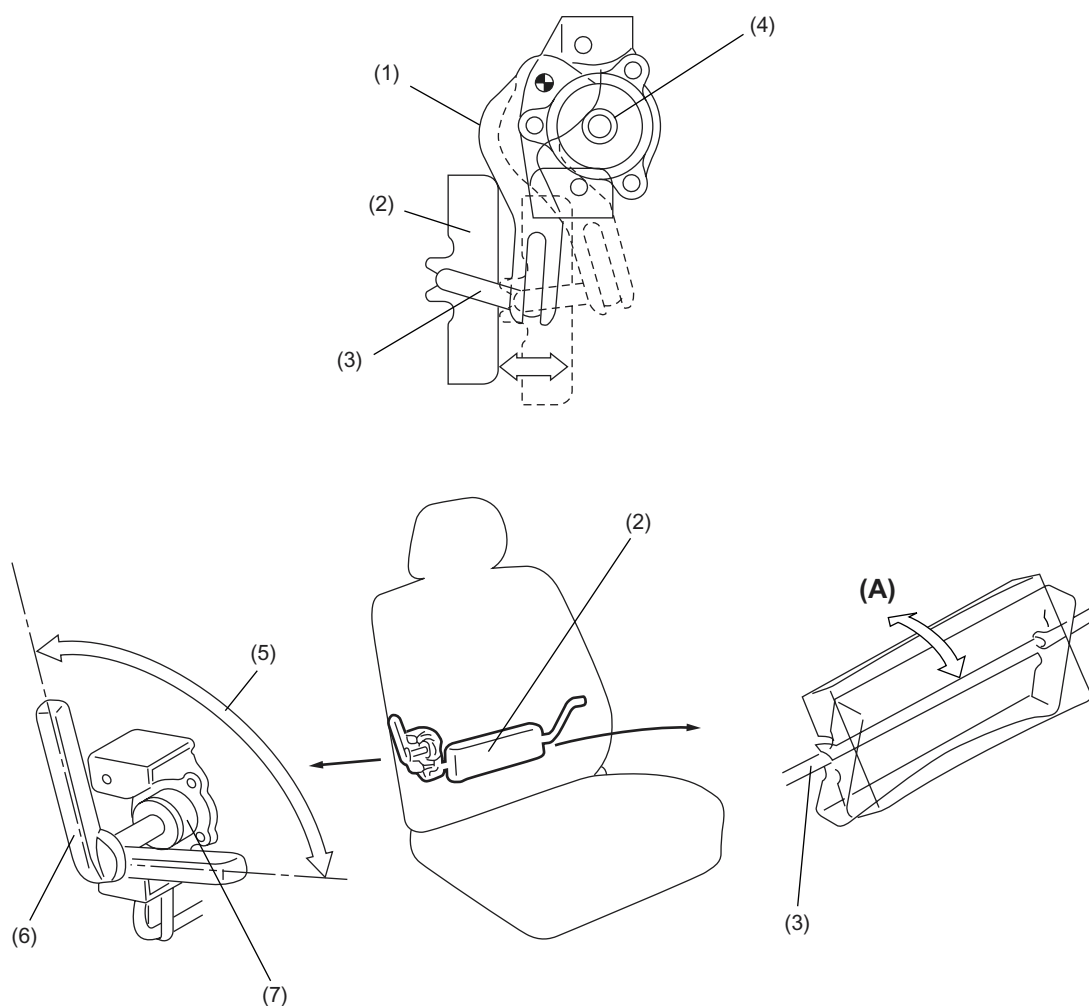
FRONT SEAT

Seats

C: LUMBAR SUPPORT

The position of the lumbar support plate in the backrest changes as the lumbar support adjustment lever is operated to adjust the force of support to the occupant's lower back.

The lumbar support mechanism has been modified to feature stepless adjustment. The material of the support plate is also changed to plastic for a better fit with the occupant's back.



SE-00163

- | | | |
|--------------------------|---------------------------------------|-------------|
| (1) Driven gear plate | (5) Stepless adjustable range | (A) Rotates |
| (2) Lumbar support plate | (6) Lumbar support lever | |
| (3) Torsion bar | (7) Bearing with built-in pinion gear | |
| (4) Pinion gear | | |