

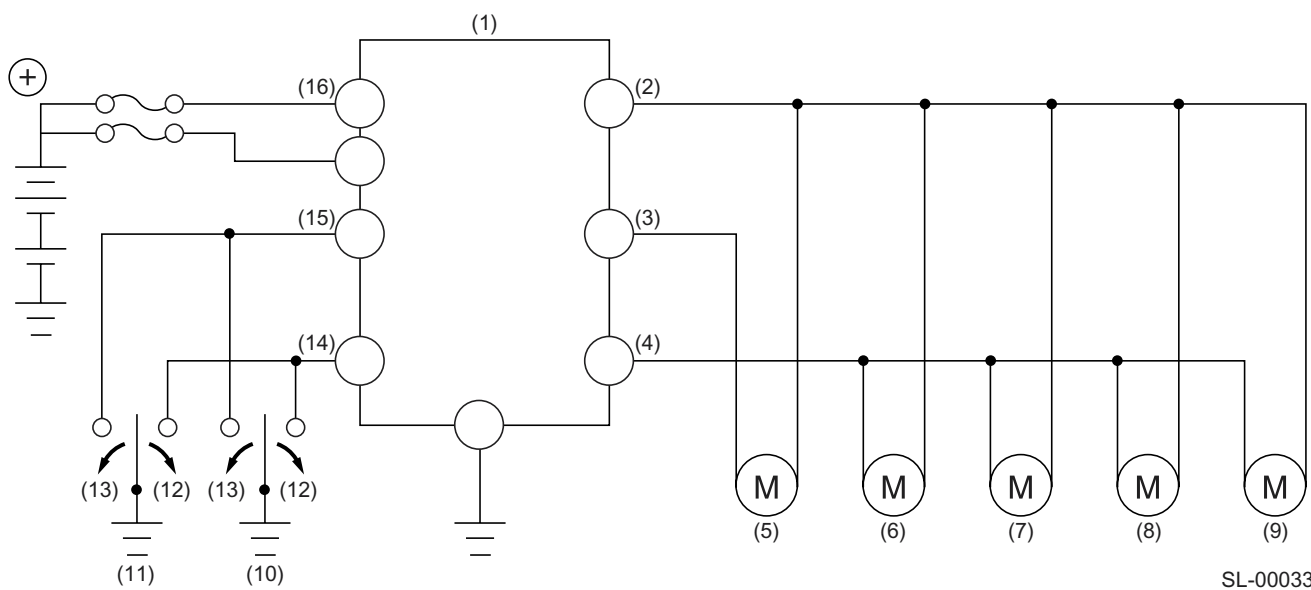
# POWER DOOR LOCK

## 2. Power Door Lock

### A: CONSTRUCTION

- The power door lock system consists of an integrated module, driver's and front passenger's door lock switches, front door lock actuators, rear door lock actuators, and a rear gate lock actuator.
- When the driver's/front passenger's door is locked or unlocked using the door lock switch, the other doors and the rear gate are also locked or unlocked automatically.

### B: CIRCUIT DIAGRAM



- |  |   |                          |
|--|---|--------------------------|
| (1) Integrated module                    | (7) Rear LH actuator                    | (13) Lock                |
| (2) Lock output                          | (8) Rear RH actuator                    | (14) Unlock switch input |
| (3) Unlock output (driver's door)        | (9) Rear gate lock actuator             | (15) Lock switch input   |
| (4) Unlock output (except driver's door) | (10) Front passenger's door lock switch | (16) Battery power       |
| (5) Front LH actuator                    | (11) Driver's door lock switch          |                          |
| (6) Front RH actuator                    | (12) Unlock                             |                          |