

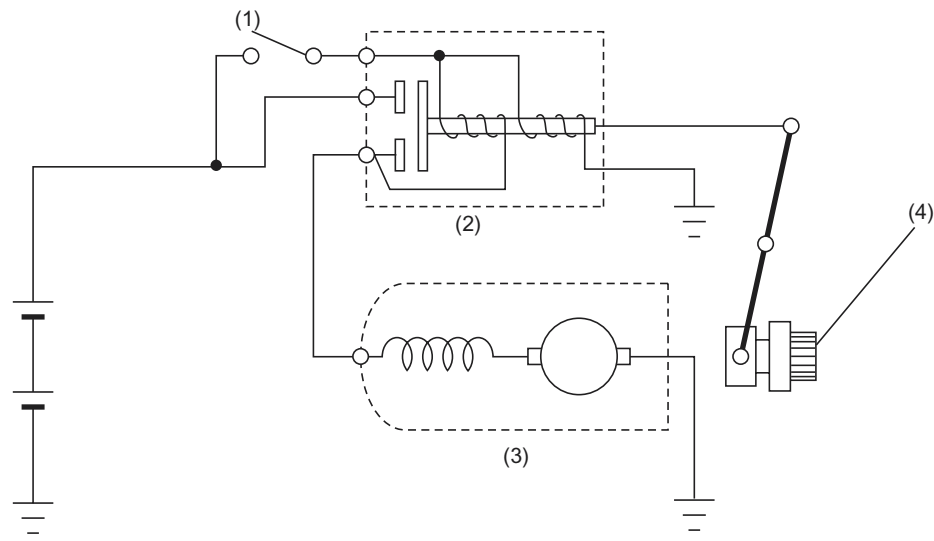
# STARTER

Starting/Charging

---

## 1. Starter

The starter is of a reduction type. Its output is 1.0 kW on the MT model and 1.4 kW on the AT model.



SC-00056

- (1) Starter switch
- (2) Magnet switch
- (3) Starter
- (4) Pinion