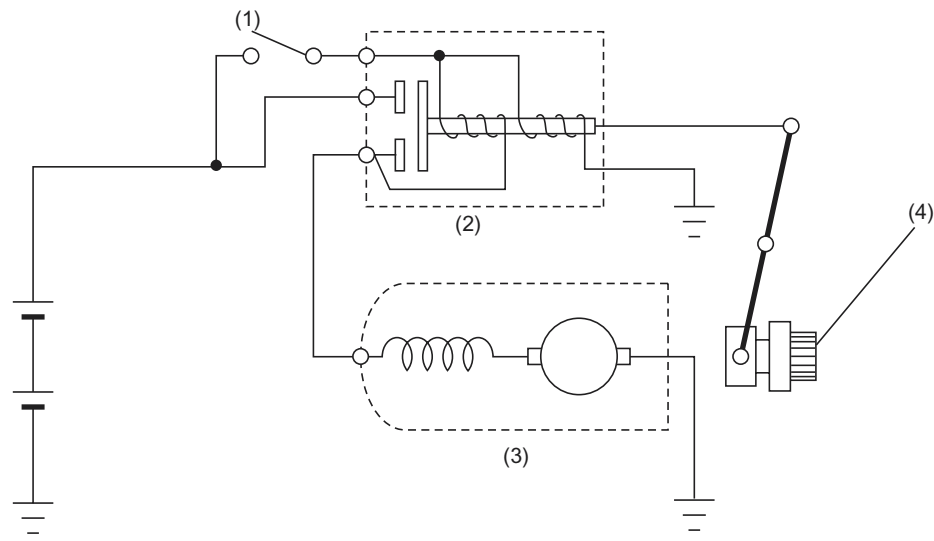


STARTER

Starting/Charging

1. Starter

The starter is of a reduction type. Its output is 1.4 kW.



SC-00056

- (1) Starter switch
- (2) Magnet switch
- (3) Starter
- (4) Pinion