

WINDSHIELD WIPER DEICER

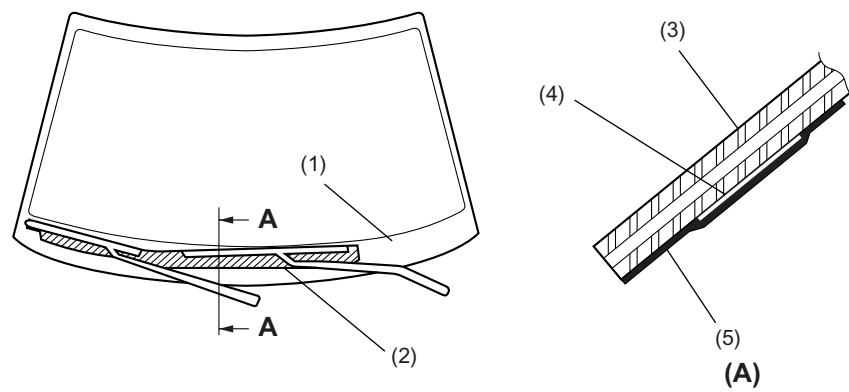
Wiper and Washer Systems

3. Windshield Wiper Deicer

A: CONSTRUCTION

The wiper deicer system is activated when the wiper deicer switch is pressed with the ignition switch turned ON. It heats the lower part of the windshield with a heater wire to melt the ice that blocks the wiper blades.

The system turns off automatically in 15 minutes after the wiper deicer switch is turned ON.



WW-00105

- (1) Printed ceramic
- (2) Heating area of wiper deicer
- (3) Windshield

- (4) Wiper deicer heater wire
- (5) Printed ceramic
- (A) Section A-A

