

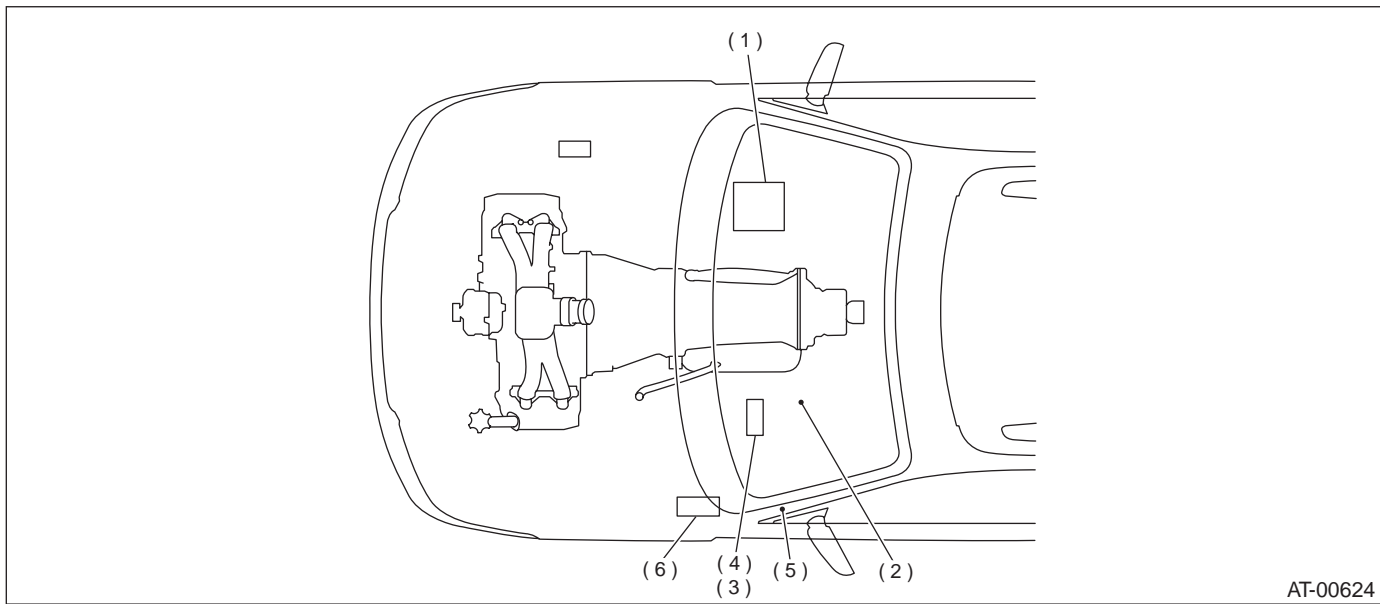
## ELECTRICAL COMPONENTS LOCATION

AUTOMATIC TRANSMISSION (DIAGNOSTICS)

### 4. Electrical Components Location

#### A: LOCATION

##### 1. CONTROL MODULE



- (1) Engine control module (ECM)
- (2) AT OIL TEMP warning light (AT diagnostic indicator light)
- (3) Transmission control module (TCM) (Without VDC system and SPORT shift)

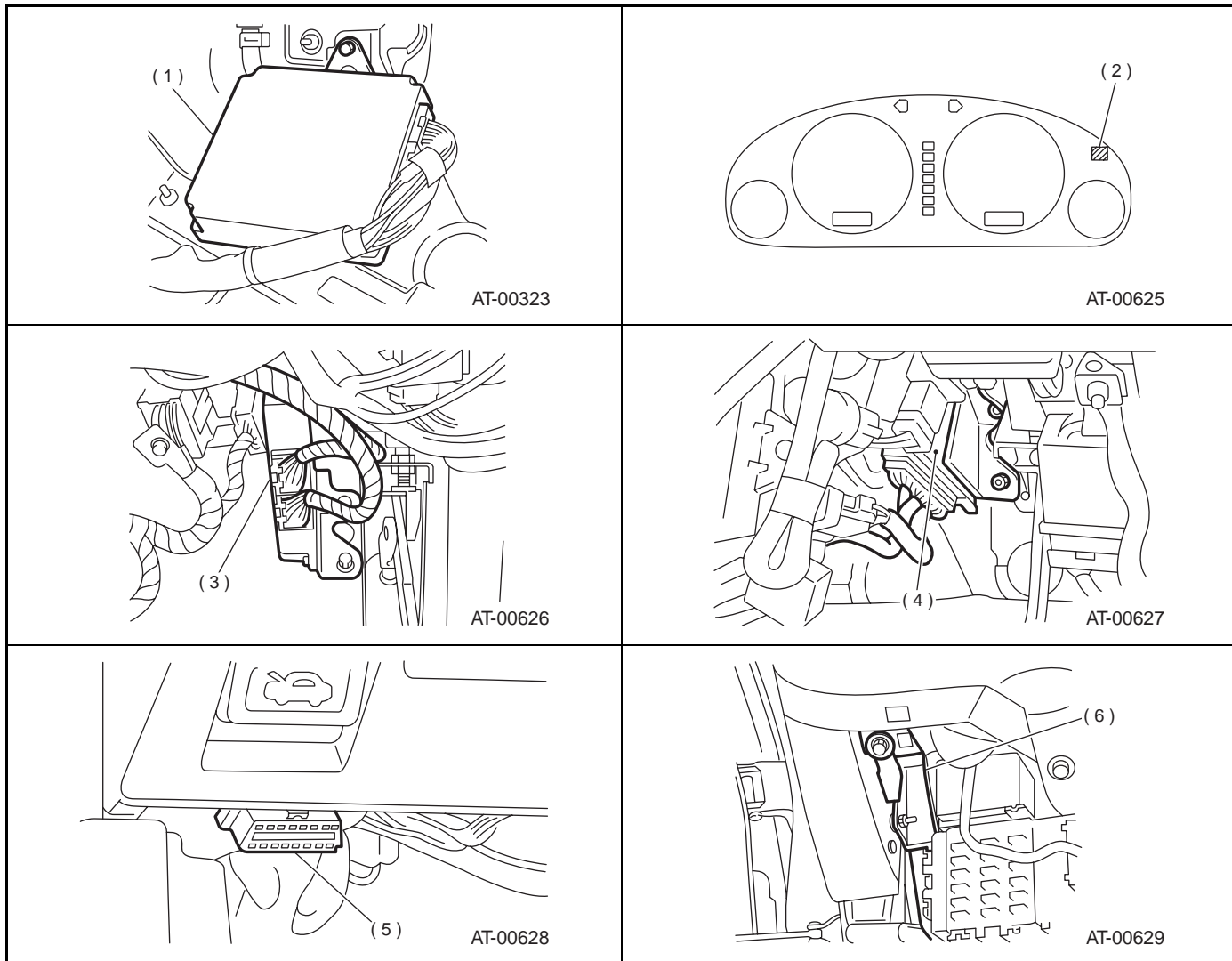
- (4) Transmission control module (TCM) (With VDC system or SPORT shift)
- (5) Data link connector

- (6) Vehicle dynamic control module (With VDC system)

AT-9

## ELECTRICAL COMPONENTS LOCATION

### AUTOMATIC TRANSMISSION (DIAGNOSTICS)

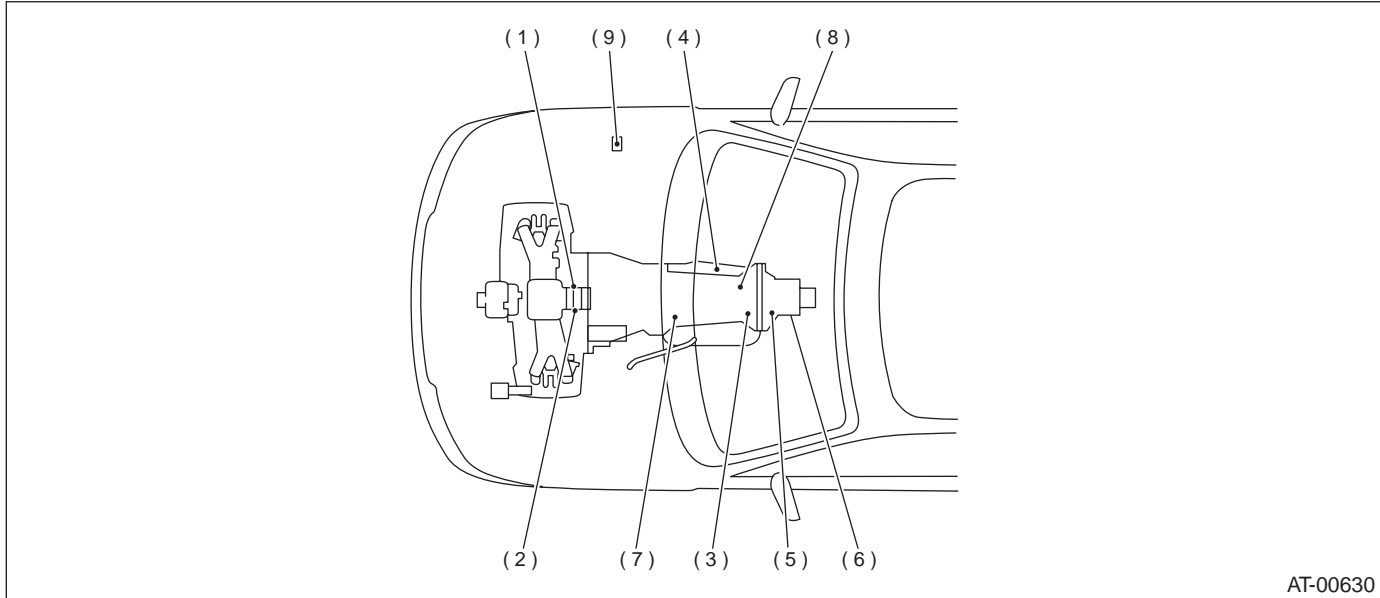


AT-10

## ELECTRICAL COMPONENTS LOCATION

### AUTOMATIC TRANSMISSION (DIAGNOSTICS)

#### 2. SENSOR



(1) Throttle position sensor (2.5L model)

(2) Throttle position sensor (3.0L model)

(3) Front vehicle speed sensor

(4) Inhibitor switch

(5) Rear vehicle speed sensor (Without VDC system and SPORT shift)

(6) Rear vehicle system sensor (With VDC system or SPORT shift)

(7) Torque converter turbine speed signal

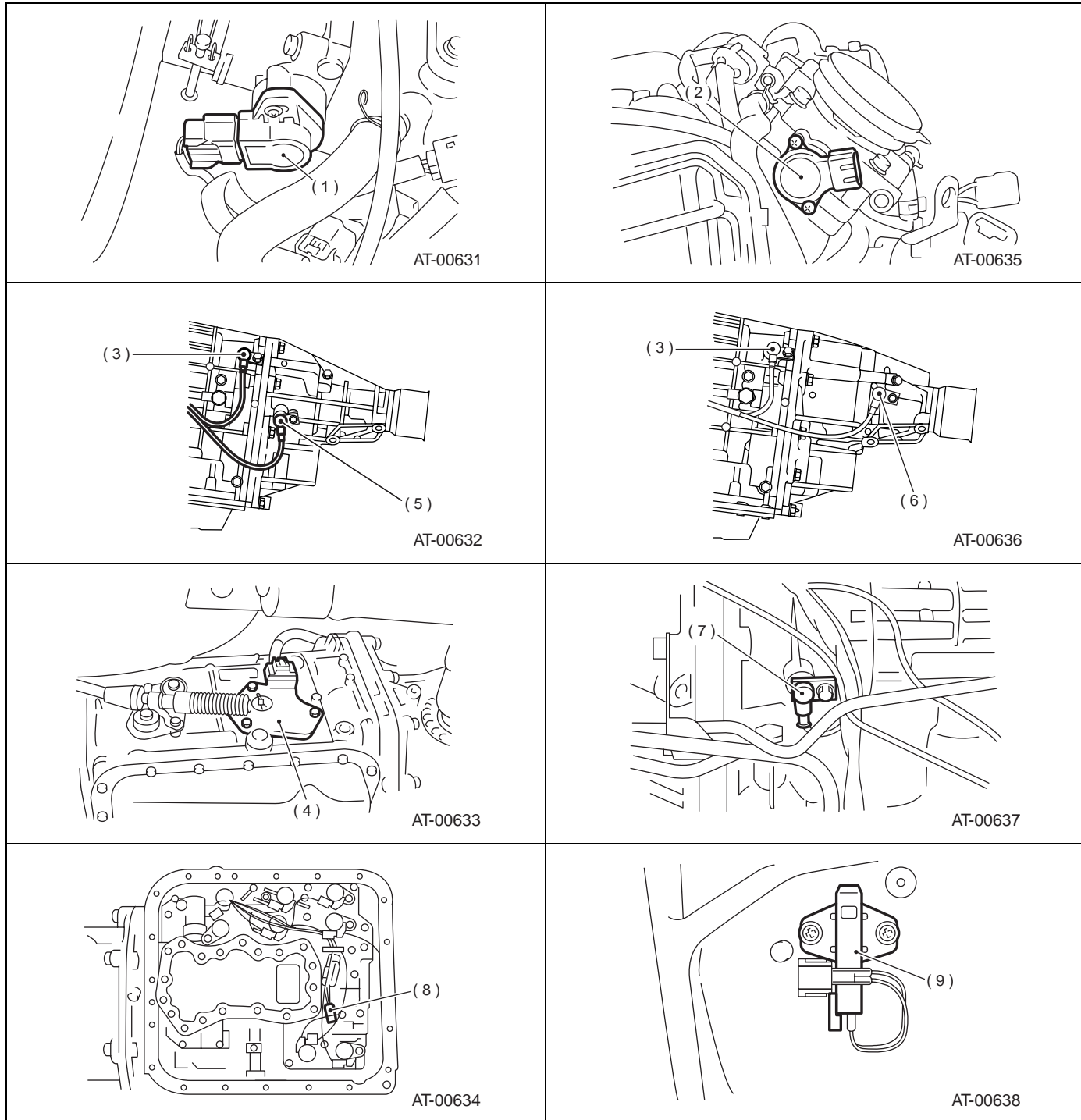
(8) ATF temperature sensor

(9) Dropping resistor (With VDC system or SPORT shift)

AT-11

## ELECTRICAL COMPONENTS LOCATION

### AUTOMATIC TRANSMISSION (DIAGNOSTICS)

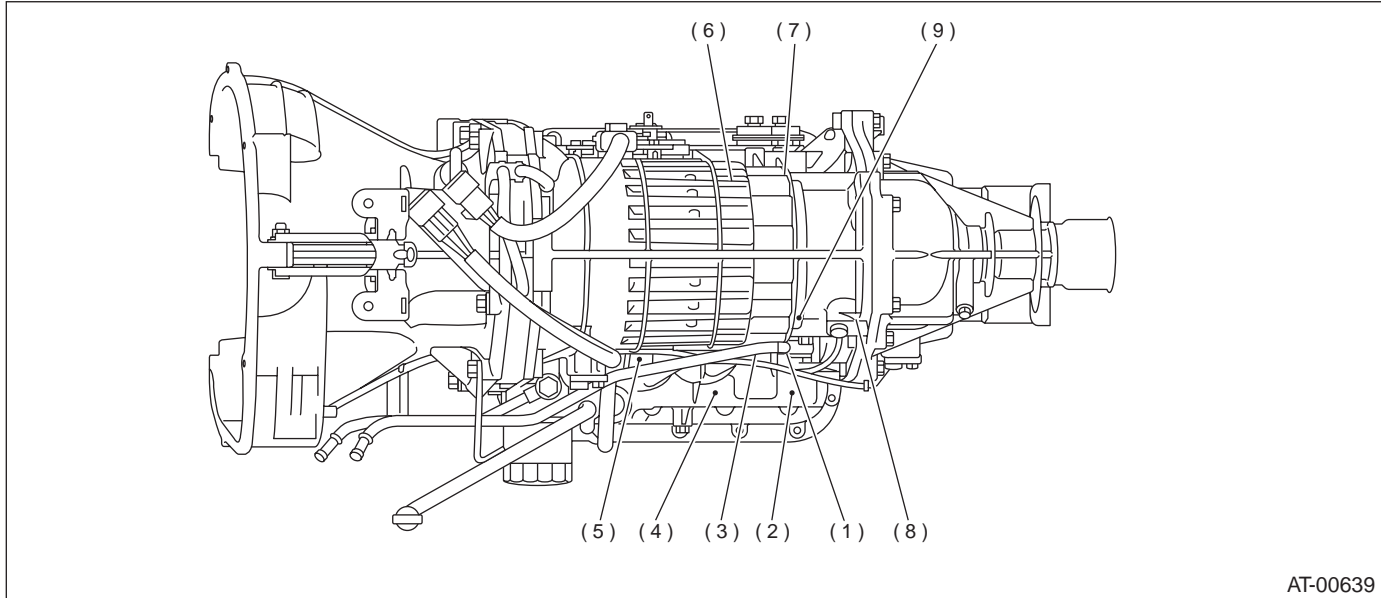


AT-12

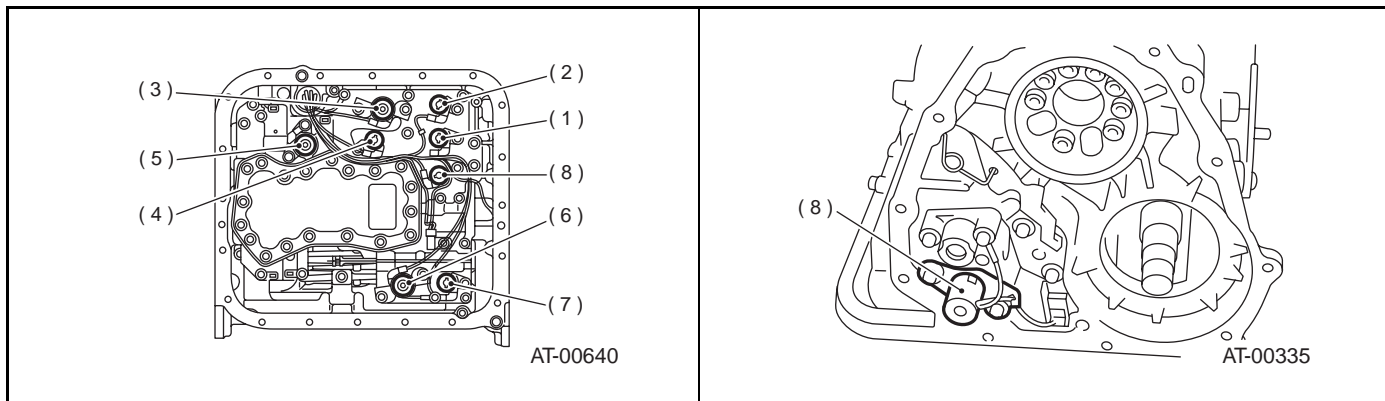
## ELECTRICAL COMPONENTS LOCATION

### AUTOMATIC TRANSMISSION (DIAGNOSTICS)

#### 3. SOLENOID



- |                                 |                                |   |
|---------------------------------|--------------------------------|---|
| (1) Solenoid 1                  | (4) Low clutch timing solenoid | (7) 2-4 brake timing solenoid               |
| (2) Solenoid 2                  | (5) Lock-up duty solenoid      | (8) Transfer duty solenoid                  |
| (3) Line pressure duty solenoid | (6) 2-4 brake duty solenoid    | (9) SPORT shift solenoid (With SPORT shift) |



AT-13