

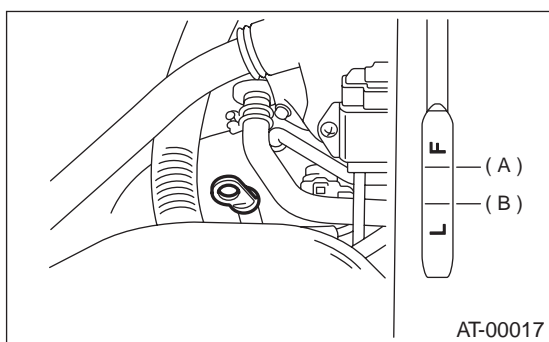
## DIFFERENTIAL GEAR OIL

AUTOMATIC TRANSMISSION

### 3. Differential Gear Oil

#### A: INSPECTION

- 1) Park the vehicle on a level surface.
- 2) Remove the oil level gauge and wipe it clean.
- 3) Reinsert the level gauge all the way. Be sure that the level gauge is correctly inserted and in the proper orientation.
- 4) Remove it again and note the reading. If the differential gear oil level is below the "L" line, add oil to bring the level up to the "F" line.
- 5) To prevent overfilling the differential gear oil, do not add oil above the "F" line.



- (A) Upper level  
(B) Lower level

#### B: REPLACEMENT

- 1) Lift-up the vehicle.
- 2) Drain the differential gear oil completely.

#### CAUTION:

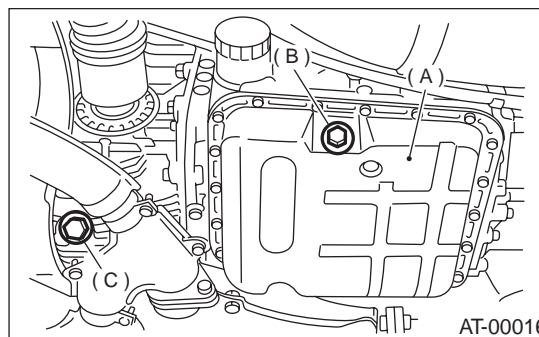
• **Directly after the engine has been running, the differential gear oil is hot. Be careful not to burn yourself.**

• **Be careful not to spill the differential gear oil on exhaust pipe to prevent it from emitting smoke or fire. When the differential gear oil is spilled on exhaust pipe, wipe it away completely.**

- 3) Replace the gasket with a new one, and then tighten the differential gear oil drain plug.

#### Tightening torque:

**44 N·m (4.5 kgf·m, 32.5 ft·lb)**



- (A) Oil pan  
(B) Drain plug  
(C) Differential oil drain plug

- 4) Lower the vehicle.
- 5) Pour gear oil into the gauge hole.

#### Recommended fluid:

**Use GL-5 (SAE: 80W — 90) or equivalent.**

#### Gear oil capacity:

**1.1 — 1.3 ℓ (1.2 — 1.4 US qt, 1.0 — 1.1 Imp qt)**

- 6) Check the level of differential gear oil.  
<Ref. to AT-31, INSPECTION, Differential Gear Oil.>

AT-31