

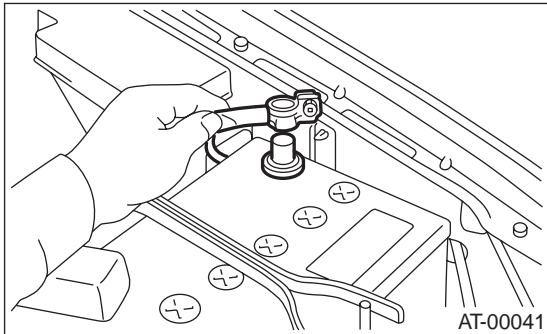
## TRANSMISSION CONTROL MODULE (TCM)

AUTOMATIC TRANSMISSION

### 20. Transmission Control Module (TCM)

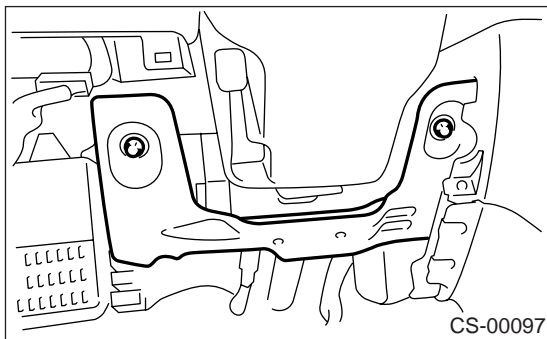
#### A: REMOVAL

1) Disconnect the ground cable from battery.

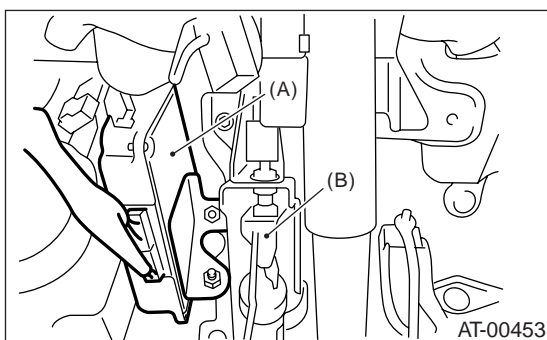


2) Remove the lower cover and then disconnect the connector.

3) Remove the knee bolster.

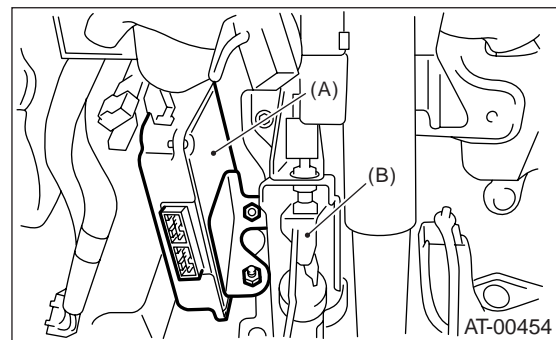


4) Disconnect the connectors from transmission control module.



- (A) Transmission control module
- (B) Brake pedal

5) Remove the transmission control module.



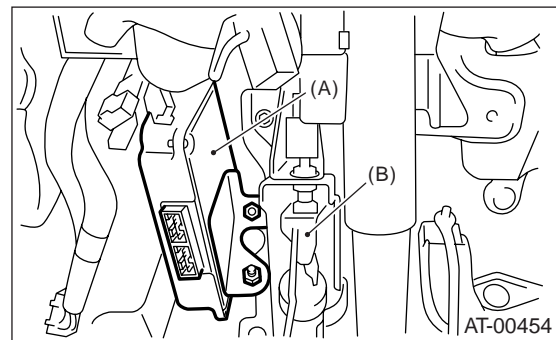
- (A) Transmission control module
- (B) Brake pedal

#### B: INSTALLATION

1) Install the transmission control module.

**Tightening torque:**

**25 N·m (2.5 kgf·m, 18.1 ft·lb)**



- (A) Transmission control module
- (B) Brake pedal

2) Connect the connectors to transmission control module.

3) Install in the reverse order of removal.

AT-75